

Data Sheet

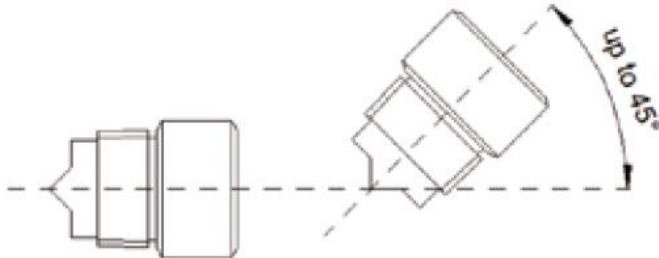


- Specifications

Model	Corrosion resistant
Sensing object	Clean solution without viscosity
Accuracy	±1mm
Power supply	DC10~24V
Current consumption	10mA Max (no including the load)
Output	PNP
Load current	Max. 100mA
Operation mode	Light on / dark on switchable
Operation indicator	Orange
Circuit protection	Power on delay, power supply reverse polarity protection, output short-circuit protection, output reverse polarity protection
Response time	1ms
Ambient illumination	Incandescent lamp: Max. 1,000lx / Sunlight: Max. 5,000lx
Temperature resistance range*(1)	-20 - 55°C (with no icing or condensation)
Ambient humidity	Operation: 35 ~ 85% / Storage: 35% ~ 95% (with no condensation)
Insulation resistance	Min. 20MΩ (at 500VDC)
Protection degree	IEC: IP67
Connection method	Outgoing cable, length: 30cm, 4-wire
Line color definition	4-wire: Brown (VDC), Blue (GND), Black (Output), White (Mode)
Weight	Approx. 8.5g with Hexagon head, Approx. 7.0g without Hexagon head (for unit only)
Material	Polysulfone
Accessory	Nut, Seal ring

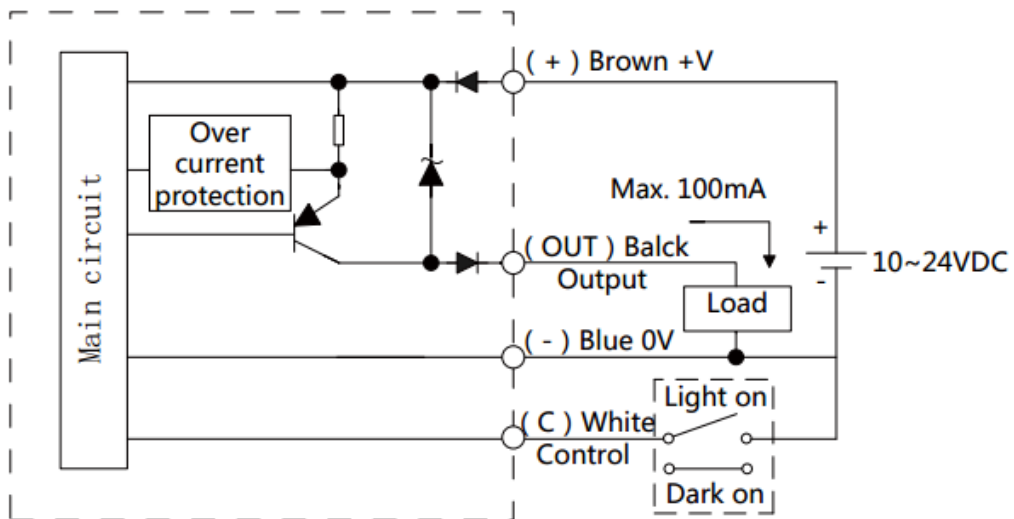
Data Sheet

- Installation



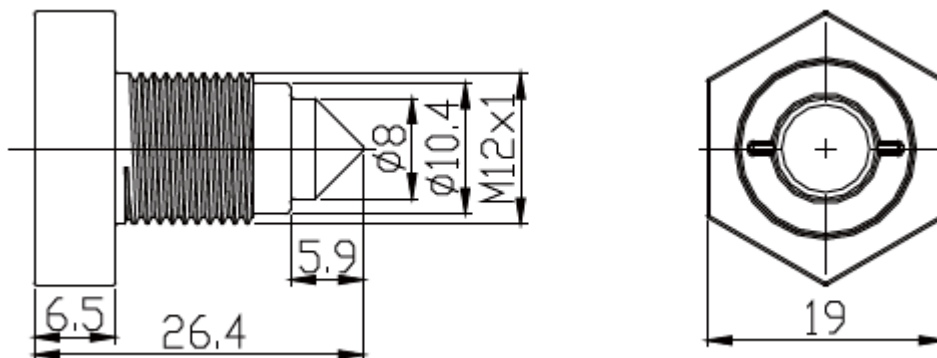
- Control output circuit diagram

PNP open collector output



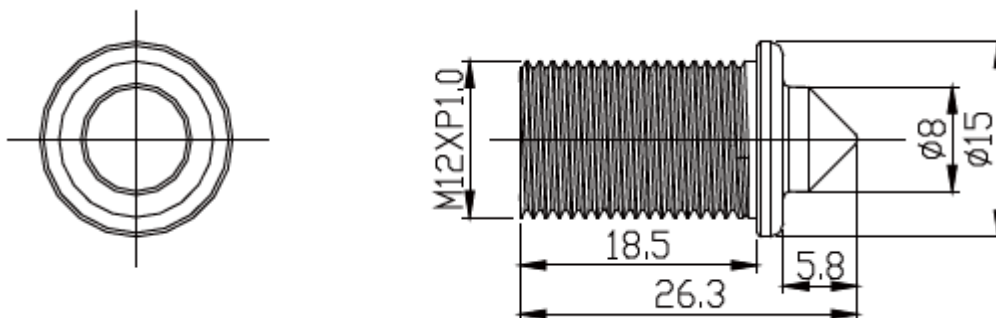
- Dimension

Item No. 2632827



Data Sheet

Item No. 2632828



- Application

