

PRODUCT INFORMATION

FabConstruct Nozzle Plated Copper MK8

- **Plated Copper Nozzle**
- **Nozzle Diameter: 0.2 – 0.8 mm**
- **Filament Diameter: 1.75 mm**

Application Areas

The Fabconstruct Plated Copper precision nozzles offer high abrasion resistance and heat resistance thanks to their copper coating. The copper coating also increases the lubricity of the filament during extrusion and thus reduces sticking of the nozzle. These nozzles are ideal for printing high temperature filaments. However, you can also use these nozzles very well for printing classic plastics such as PLA , ABS , PETG etc.



Product Features:

- abrasion resistant
- good material slip
- Non-stick coating for precise filament flow
- high thermal conductivity and durability

Nozzle Diameter

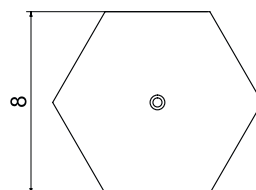
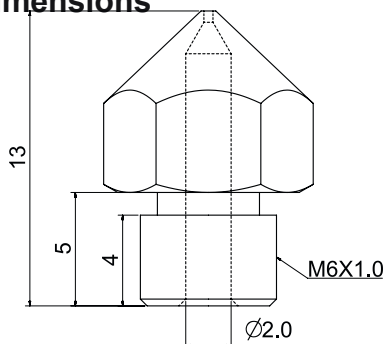
- **0.25 mm** Item No.: 35476, EAN: 4260629954764
- **0.40 mm** Item No.: 35477, EAN: 4260629954771
- **0.60 mm** Item No.: 35478, EAN: 4260629954788
- **0.80 mm** Item No.: 35479, EAN: 4260629954795

Technical Properties

- **Hardness (Mohs):** 6.0
- **Maximum Printing Temp.:** 500°C
- **Thermal Conductivity:** 330 W/m.k
- **Expansion Coefficient:** 16.7 $\mu\text{m}/\text{m}\cdot^{\circ}\text{C}$

More info:
www.fabconstruct.de/nozzles

Dimensions



Compatible

- BQ Witbox
- CraftBot Series
- Creality CR-10 Series
- MakerBot Replicator 2
- and many more