

### PRODUCT INFORMATION

## FabConstruct Nozzle Hardened Steel MK8

- **Hardened steel Nozzle**
- **Nozzle Diameter: 0.2 – 0.8 mm**
- **Filament Diameter: 1.75 mm**

### Application Areas

The hardened steel Fabconstruct precision nozzles are ideal for printing high-abrasion (abrasive) filaments such as carbon fibre, glass fibre, wood, metal-filled or phosphorus-containing (fluorescent) filaments. However, these abrasion-resistant nozzles can also be used for printing classic filaments e.g. PLA, ABS, PETG, PVA and other materials can be used.



### Product Features:

- abrasion resistant
- ideal for printing abrasive materials
- High temperature resistance

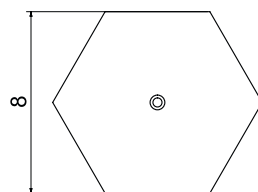
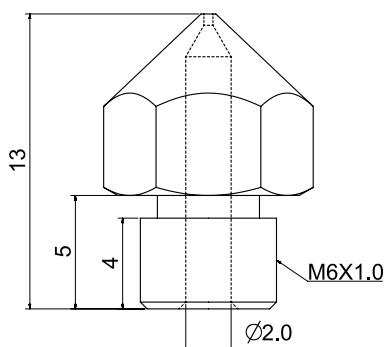
### Technical Properties

- **Hardness (Mohs):** 7.8
- **Maximum Printing Temp.:** 450°C
- **Thermal Conductivity:** 220 W/m.k
- **Expansion Coefficient:** 8.0  $\mu\text{m} / \text{m} \cdot ^\circ\text{C}$

### Nozzle Diameter

- **0.20 mm** Item No.: 35469, EAN: 4260629954696
- **0.25 mm** Item No.: 35470, EAN: 4260629954702
- **0.30 mm** Item No.: 35471, EAN: 4260629954719
- **0.35 mm** Item No.: 35472, EAN: 4260629954726
- **0.40 mm** Item No.: 35473, EAN: 4260629954733
- **0.60 mm** Item No.: 35474, EAN: 4260629954740
- **0.80 mm** Item No.: 35475, EAN: 4260629954757

### Dimensions



### Compatible

- BQ Witbox
- CraftBot Series
- Creality CR-10 Series
- MakerBot Replicator 2
- and many more

More info:  
[www.fabconstruct.de/nozzles](http://www.fabconstruct.de/nozzles)