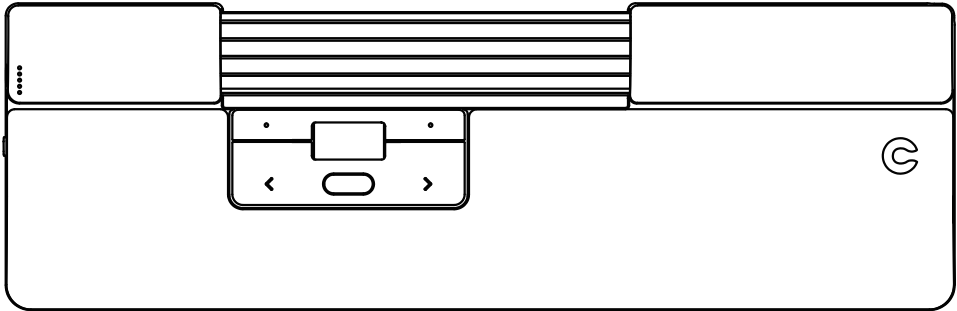


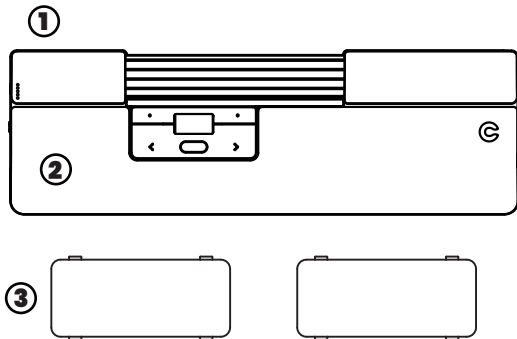
SliderMouse Pro



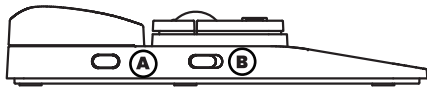
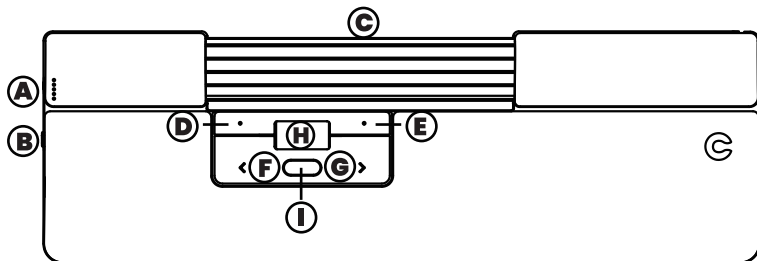
www.contourdesign.com

What's in the Box?

1. SliderMouse Pro
2. Wrist rest (if included)
3. Two Keyboard risers



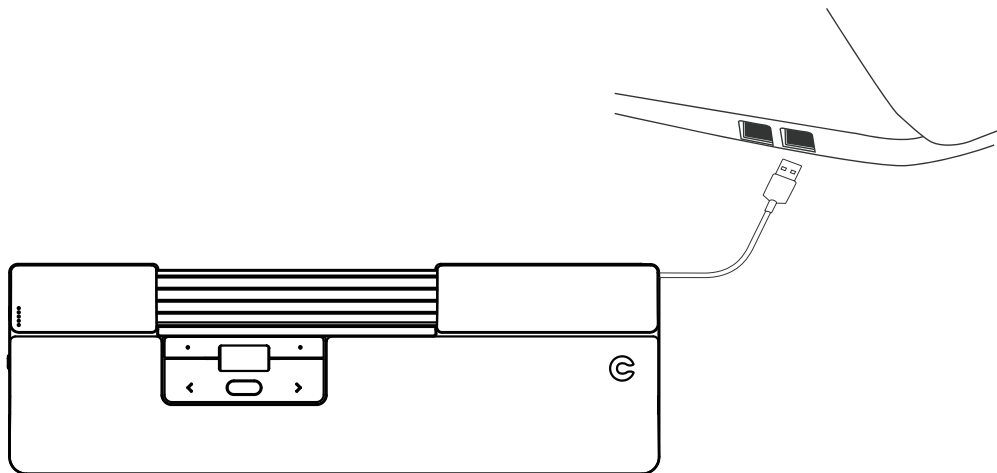
Functions



- A. Cursor speed
- B. Power switch *
- C. Sliderbar
- D. Copy
- E. Paste
- F. Left-click
- G. Right-click
- H. Scroll wheel
- I. "One Touch" double-click

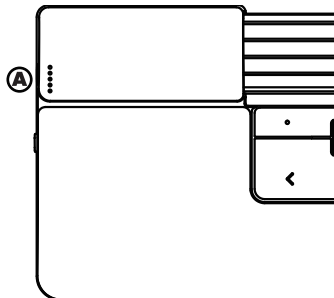
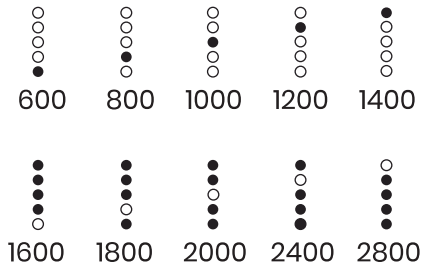
* No function for wired unit.

Connecting Device



Cursor Speed (DPI)

Press the Cursor speed button **A** to cycle through cursor speeds. There are speed selections which range from slow (600 DPI) to fast (2800 DPI). Speed can be identified by the LED lights as shown. Hold Cursor speed button **A** for 8 seconds to default settings.



Click force adjustment

Click force refers to the level of resistance when clicking the Sliderbar. To change the click force, press and hold both the **A** (Cursor speed) and the **F** (Left-click) buttons for two seconds, the LED light will show the current click force setting. While continuing to hold the **A** button, release the **F** button and use the scroll wheel (**H**) to change click force setting. Let go of **A** to select click force setting.

Note: The Sliderbar click function can be turned off using the above adjustment method, by moving the scroll wheel until all LEDs are lit.

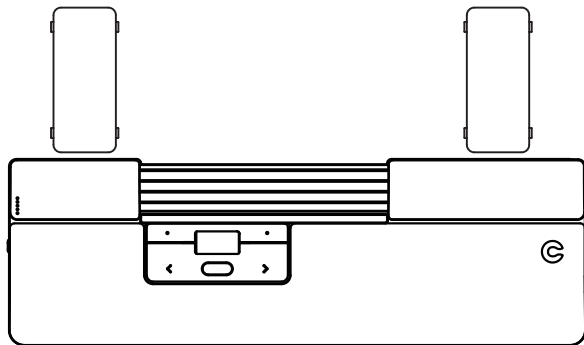
Click volume adjustment

The Sliderbar has 6 different click volume settings. To change the click volume, press and hold both button **A** (Cursor speed) and button **G** (Right-click) for two seconds, the LED light will show current click volume setting. To adjust volume setting continuing to hold button **A** and release button **G**, then move button **H** (Scroll wheel) up/down to adjust the volume setting. Release button **A** to confirm adjusted click volume.

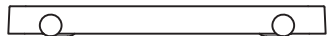
Note: The Sliderbar click volume can be turned off using the above adjustment method, by moving the scroll wheel until all LEDs are lit.

Keyboard Risers

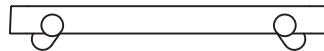
Before using your SliderMouse Pro, take a moment and adjust the keyboard risers to achieve the desired keyboard height and angle. For a proper ergonomic position, the front edge of the keyboard should be as close to the Sliderbar as possible.



Negative tilt



Neutral flat



Neutral elevated



Positive tilt



2-year Warranty

All Contour Design products come with a 2-year Warranty.



Product Support

For information on software drivers, product manuals, and advanced product settings such as thin client mode, please visit contourdesign.com/support



Sales Support

If you have questions about your recent purchase, email us:
United States: ergoinfo@contourdesign.com
All other countries: support@contour-design.com

Contour®