

Anybus[®] Communicator[™] - EtherCAT to Modbus RTU/Serial

STARTUP GUIDE

SP3081

Version 1.0

Publication date 2022-10-10



Important User Information

Disclaimer

The information in this document is for informational purposes only. Please inform HMS Networks of any inaccuracies or omissions found in this document. HMS Networks disclaims any responsibility or liability for any errors that may appear in this document.

HMS Networks reserves the right to modify its products in line with its policy of continuous product development. The information in this document shall therefore not be construed as a commitment on the part of HMS Networks and is subject to change without notice. HMS Networks makes no commitment to update or keep current the information in this document.

The data, examples and illustrations found in this document are included for illustrative purposes and are only intended to help improve understanding of the functionality and handling of the product. In view of the wide range of possible applications of the product, and because of the many variables and requirements associated with any particular implementation, HMS Networks cannot assume responsibility or liability for actual use based on the data, examples or illustrations included in this document nor for any damages incurred during installation of the product. Those responsible for the use of the product must acquire sufficient knowledge in order to ensure that the product is used correctly in their specific application and that the application meets all performance and safety requirements including any applicable laws, regulations, codes and standards. Further, HMS Networks will under no circumstances assume liability or responsibility for any problems that may arise as a result from the use of undocumented features or functional side effects found outside the documented scope of the product. The effects caused by any direct or indirect use of such aspects of the product are undefined and may include e.g. compatibility issues and stability issues.

Copyright © 2022 HMS Networks

Contact Information

Postal address:

Box 4126

300 04 Halmstad, Sweden

E-Mail: info@hms.se

1. Preface

1.1. About This Document

This document describes how to install Anybus® Communicator™.

For additional documentation and software downloads, FAQs, troubleshooting guides and technical support, please visit www.anybus.com/support.

1.2. Document Conventions

Safety Symbols

**DANGER**

Instructions that must be followed to avoid an imminently hazardous situation which, if not avoided, will result in death or serious injury.

**WARNING**

Instructions that must be followed to avoid a potential hazardous situation that, if not avoided, could result in death or serious injury.

**CAUTION**

Instruction that must be followed to avoid a potential hazardous situation that, if not avoided, could result in minor or moderate injury.

**IMPORTANT**

Instruction that must be followed to avoid a risk of reduced functionality and/or damage to the equipment, or to avoid a network security risk.

Information Symbols



NOTE

Additional information which may facilitate installation and/or operation.



TIP

Helpful advice and suggestions.

1.3. Trademarks

Anybus® is a registered trademark of HMS Networks.

All other trademarks are the property of their respective holders.

2. Safety

2.1. Intended Use

The intended use of this equipment is as a communication interface and gateway.

The equipment receives and transmits data on various physical layers and connection types.

If this equipment is used in a manner not specified by the manufacturer, the protection provided by the equipment may be impaired.

2.2. General Safety

**CAUTION**

Ensure that the power supply is turned off before connecting it to the equipment.

**CAUTION**

This equipment contains parts that can be damaged by electrostatic discharge (ESD). Use ESD prevention measures to avoid damage.

**CAUTION**

To avoid system damage, the equipment should be connected to ground.

**IMPORTANT**

Using the wrong type of power supply can damage the equipment. Ensure that the power supply is connected properly and of the recommended type.

3. Preparation

3.1. Cabling

Have the following cables available:

- Ethernet cable for configuration
- Ethernet cable for connecting to the high level network
- Power cable

3.2. Mechanical Tools and Equipment

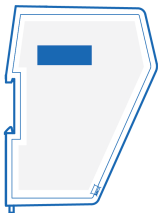
Have the following tools available:

- Flat-head screwdriver, size 5.5 mm
Needed when removing the Communicator from DIN-rail.
- Flat-head screwdriver, size 3 mm
Needed when connecting the cables to the 7-pin connector.

3.3. Support and Resources



For additional documentation and software downloads, FAQs, troubleshooting guides and technical support, please **scan the QR code to visit the Communicator support web page**.



You can also visit www.anybus.com/support and enter the product article number to search for the Communicator support web page. You find the **product article number** on the product cover.

4. Installation

4.1. DIN Rail Mounting



IMPORTANT

The equipment must be electrically grounded through the DIN rail for EMC compliance. Make sure that the equipment is correctly mounted on the rail and that the rail is properly grounded.

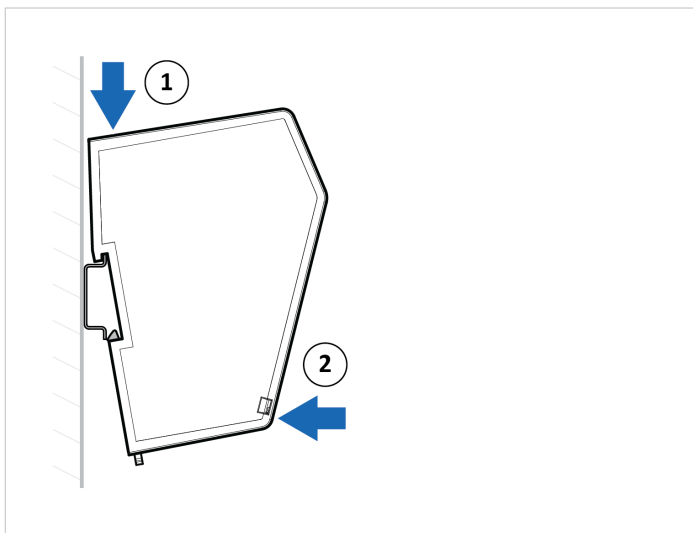


Figure 1. Attach the Communicator on the DIN rail

4.2. Connect to EtherCAT Network

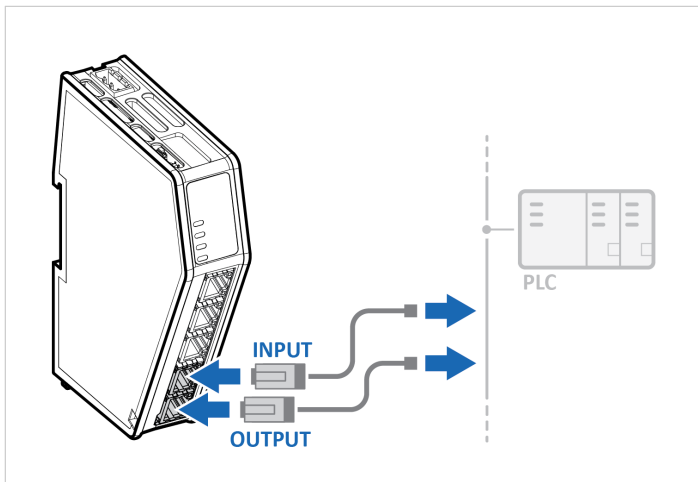
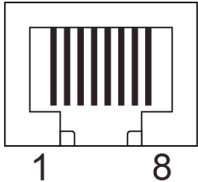


Figure 2. Connect to EtherCAT network

EtherCAT Connector	Pin	Description
	1	TD+
	2	TD-
	3	RD+
	4	Not used
	5	Not used
	6	RD-
	7	Not used
	8	Not used

4.3. Connect to Serial RS232/RS485 Subnetwork



NOTE

Use minimum 90 oC copper (Cu) wire only.

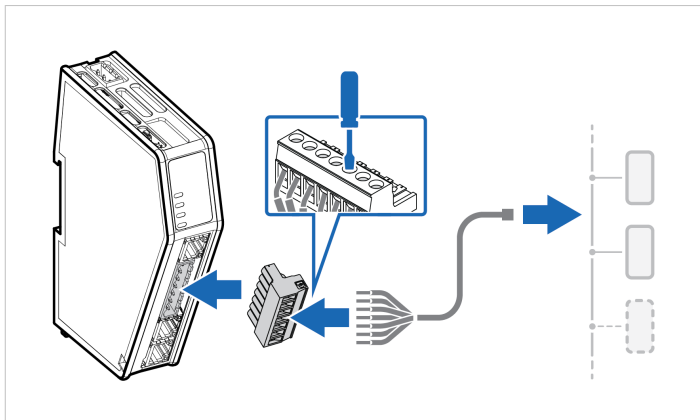
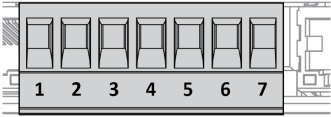


Figure 3. Connect to serial RS232/RS485 subnetwork

7-pin connector	Pin	Signal
	1	RS232 Rx Input
	2	RS232 Tx Output
	3	Functional Earth (FE)
	4	Signal GND
	5	RS485- B
	6	RS485+ A
	7	+5 V OUT

4.4. Connect to Power



CAUTION

Ensure that the power supply is turned off before connecting it to the equipment.



IMPORTANT

Using the wrong type of power supply can damage the equipment. Ensure that the power supply is connected properly and of the recommended type.

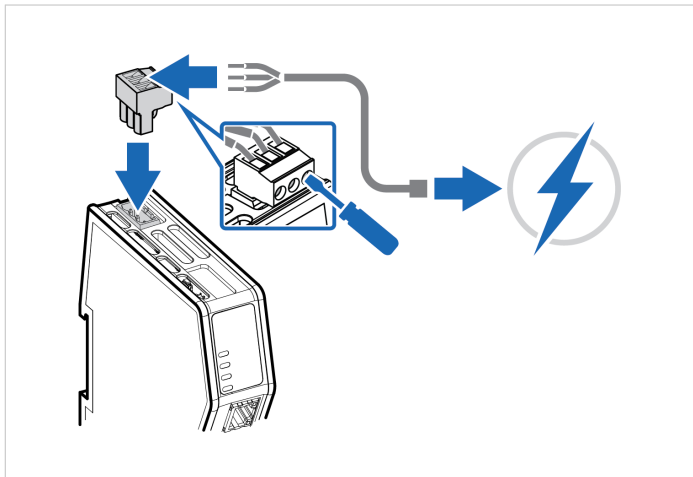
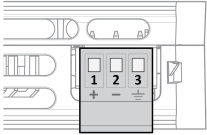


Figure 4. Connect to power

Power port	Pin	Description
	1	12-30 VDC Power Connector
	2	Ground (GND)
	3	Functional Earth (FE)

4.5. Security Switch



NOTE

After completing the configuration of the Communicator, lock the security switch to prevent unauthorized access to the Communicator built-in web interface.

When the security switch is in its locked position, the Communicator built-in web interface can not be accessed and the Communicator can not be configured using the built-in web interface. Network specific parameters, configured via the PLC is still available.

To Lock and Unlock the Security Switch

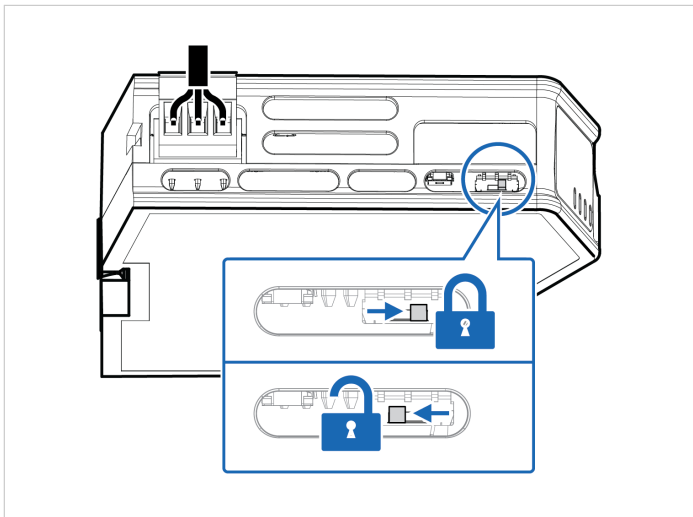


Figure 5. Security switch in locked and unlocked position

Use a pointed object, such as a ballpoint pen.

- To **lock** the security switch, push the toggle towards the **Communicator front**.
- To **unlock** the security switch, push the toggle towards the **Communicator back**.

Security Switch Status LED

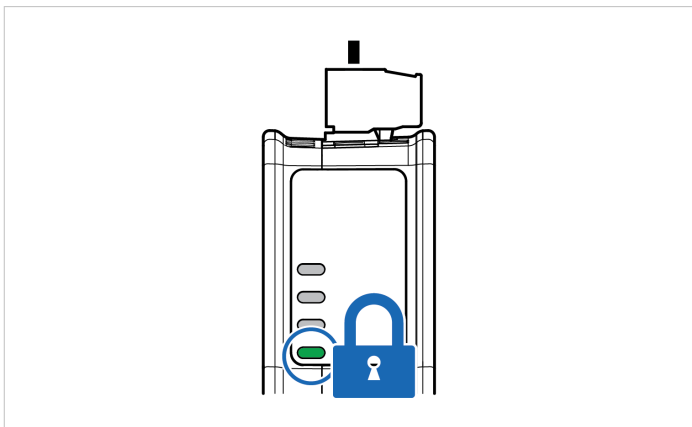


Figure 6. Security switch locked status LED

When the security switch is in its:

- locked position, the security switch status LED turn solid green.
- unlocked position, the security switch status LED is turned off.

4.6. Lock the Cables

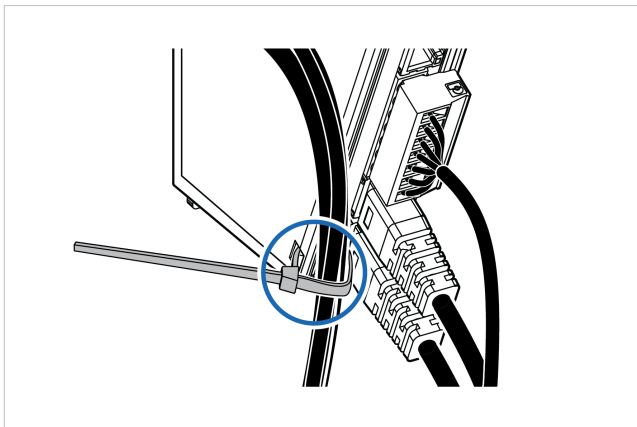


Figure 7. Lock the cables

To strain relieve the cables, place a cable tie in the holder and lock the cables.

4.7. DIN Rail Demount

Before You Begin



IMPORTANT

Be careful when removing the Communicator from the DIN-rail. If not removed properly, the DIN rail locking mechanism and the product cover can break.

Have a flat-blade screwdriver, size 5.5 mm, available.

Procedure

Remove the Communicator from the DIN Rail:

1. Insert the screwdriver into the Communicator DIN rail locking mechanism.
2. To unlock the Communicator DIN rail locking mechanism, turn the screwdriver clockwise.

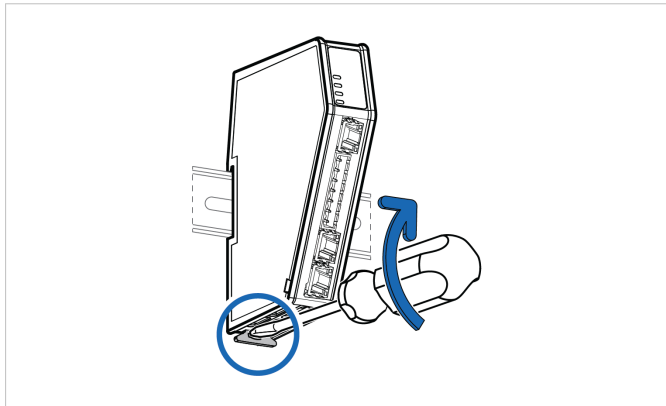


Figure 8. Unlock the Communicator

3. Hold the screwdriver in the DIN rail locking mechanism while you unhook the Communicator from the DIN rail.

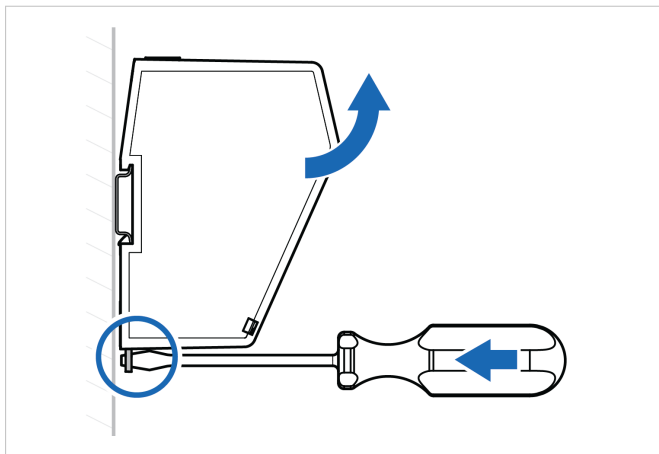


Figure 9. Unhook the Communicator

5. Configuration

5.1. Connect to PC and Power

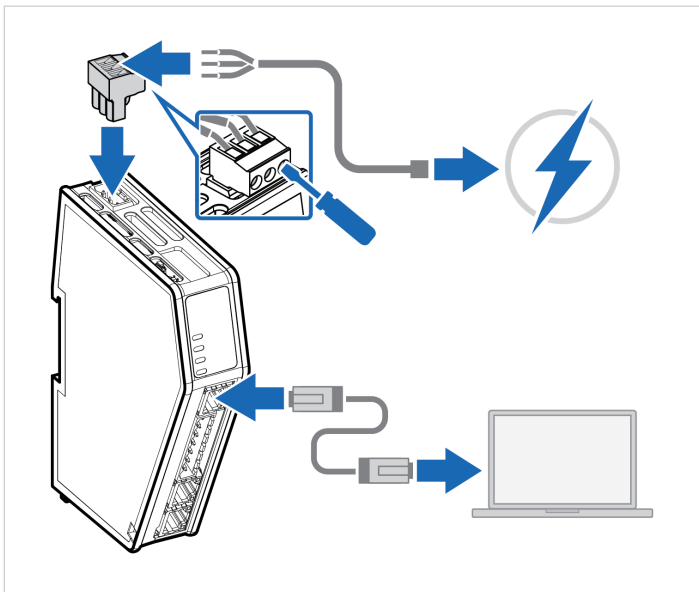


Figure 10. Connect to PC and Power

1. Connect an Ethernet cable between the Communicator configuration port and your PC.
2. Connect the Communicator to a power supply.

5.2. Find the Communicator on Your PC

The Communicator default IP address is 192.168.0.10.

To be able to access the Communicator built-in web interface.

Option 1 | Set a static IP address on the PC



On the PC accessing the Communicator built-in web interface, set a static IP address within the same IP address range as the Communicator IP address.

To access the Communicator built-in web interface, ensure that port Port 80 TCP is open in your PC Windows Firewall.

Note that when you change to a static IP address on your PC, internet access is lost.

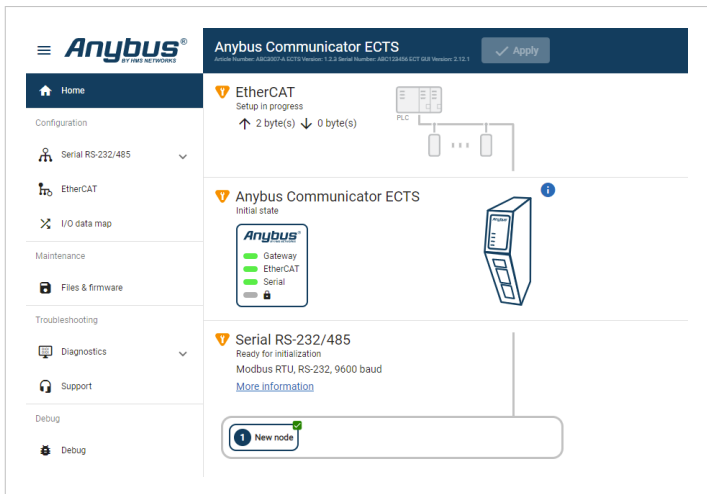
Option 2 | Change the IP address on the Communicator configuration port



Use the software application HMS IPconfig to find and change the IP address on the Communicator configuration port, to one within the same IP address range as the PC accessing the Communicator built-in web interface.

To download the installation files, please visit www.anybus.com/support and enter the product article number to search for the Communicator support web page. You find the product article number on the product cover.

5.3. Configure the Communicator



The screenshot shows the Anybus Communicator ECTS web interface. The top header includes the Anybus logo, the product name 'Anybus Communicator ECTS', and an 'Apply' button. A left sidebar contains navigation options: Home, Configuration, Serial RS-232/485, EtherCAT, I/O data map, Maintenance (Files & firmware), Troubleshooting (Diagnostics, Support), and Debug. The main content area displays three status cards: 1. 'EtherCAT' (Setup in progress) with a diagram of a PLC connected to three nodes and data flow indicators. 2. 'Anybus Communicator ECTS' (Initial state) with a status legend for Gateway, EtherCAT, and Serial, and a device icon. 3. 'Serial RS-232/485' (Ready for initialization) with Modbus RTU, RS-232, 9600 baud settings and a 'New node' notification.

Figure 11. The Communicator built-in web interface Home page

Open the Communicator built-in web interface in HMS IPconfig or enter the Communicator IP address in your web browser.

The built-in web interface takes you through the steps to configure the Communicator.

Support and Resources

If you need more in-depth information about the configuration, please visit www.anybus.com/support and enter the product article number to search for the Communicator support web page. You find the product article number on the product cover.

6. Technical Data

For complete technical specifications and regulatory compliance information, please visit www.anybus.com.

6.1. Technical Specifications

Article identification	ABC3061
Communication connector	RJ45 x 2
Configuration connector	RJ45
Serial connector	7-pin screw connector
Power connector	3-pin screw connector
Power supply	12-30 VDC, Reverse voltage protection and short circuit protection
Power consumption	Typical: 160 mA @ 24 V Max: 400 mA @ 12 V
Storage temperature	-40 to +85 °C
Operating temperature	-25 to +70 °C
Humidity	EN 60068-2-78: Damp heat, +40°C, 93% humidity for 4 days EN 60068-2-30: Damp heat, +25°C – +55°C, 95% RH, 2 cycles
Vibration	See datasheet
Housing material	Plastic, See datasheet for details
Protection class	IP20
Product weight	150 g
Dimensions	27 x 144 x 98 mm (W x H x D) with connectors included
Mounting	DIN-rail

7. Communicator LED Indicators



NOTE

Before you can verify operation you must configure the Communicator.

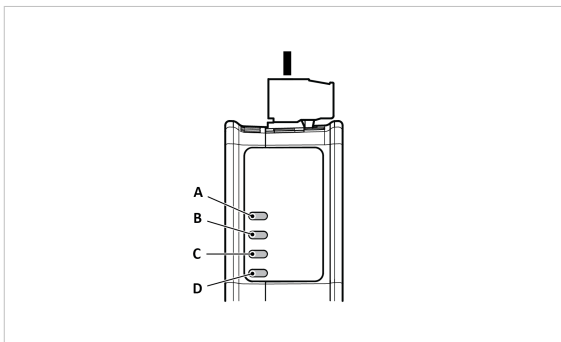


Figure 12. Communicator status (A), High level Network/Client (B), Subnetwork 2 (C) and (D) Security Switch

	LED A	LED B	LED C	LED D
Operation status	Gateway status	EtherCAT	Subnetwork	Security switch
Off	No power	No power/No IP address	No power/ Subnetwork not running/Node is switched off via a control word	No power/Security switch is unlocked
Green, flashing	Startup phase	EtherCAT online, no connections established	Running, one or more nodes are offline	N/A

	LED A	LED B	LED C	LED D
Operation status	Gateway status	EtherCAT	Subnetwork	Security switch
Green, solid	Operational	EtherCAT online, one or more connections established	Running	Security switch is locked
Red, solid	N/A	N/A	N/A	N/A
Red, one flash	N/A	Unsolicited state change Slave device application has changed the EtherCAT state autonomously.	N/A	N/A
Red, two flash	N/A	Sync Manager watchdog timeout	N/A	N/A
Red, flashing	Invalid configuration	Invalid configuration	All nodes are offline	N/A
Green/Red, flashing	Power up self-test/ Firmware update/ Firmware recovery	EtherCAT RUN (green) and ERROR (red) LED combined*	N/A	N/A

*The EtherCAT RUN (green) and ERROR (red) LED behaviors are combined in LED (B). This can cause LED (B) to alternate between red and green. The LED behavior still represents the states described in the table above.

Fatal Error and Exception Error

Fatal Error: A fatal error causes the Communicator firmware application to crash in an uncontrolled manner.

Exception Error: An exception error causes the Communicator to enter a controlled error state. The Communicator firmware application is still running.

LED	Fatal Error	Exception Error
A	Red, solid	Red, solid
B	Red, solid	Off
C	Red, solid	Off
D	Off	Off

8. EtherCAT LED Indicators

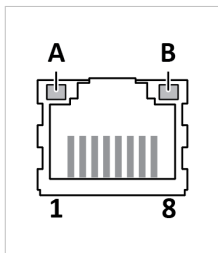


Figure 13. LED A. Activity LED B. Not used

LED A	Function
Off	No link (or no power)
Green	Link established
Green, flashing	Activity

LED B	Function
Off	Not used

This page is intentionally left blank.