

5mm High Lumen LED

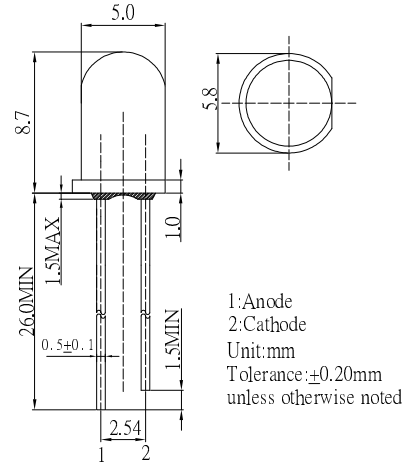
■ Features

- High Lumen LEDs
- 5mm Round Standard Directivity
- UV Resistant Epoxy
- Water Clear Type
- Perfect Beam Pattern

■ Applications

- Advertising Board
- Horticulture Application
- Beauty Product

■ Outline Dimension

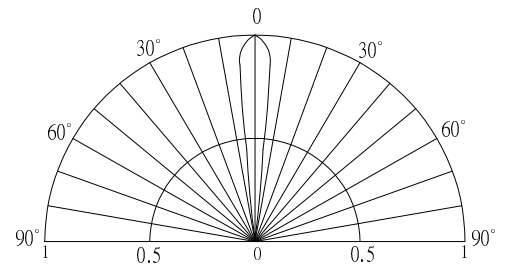


■ Absolute Maximum Rating

(Ta=25°C)

Item	Symbol	Value		Unit
		W/B/PG	Y/O/R	
DC Forward Current	I _F	30	30	mA
Pulse Forward Current#	I _{FP}	100	100	mA
Reverse Voltage	V _R	5	5	V
Power Dissipation	P _D	102	78	mW
Operating Temperature	T _{opr}	-30 ~ +85		°C
Storage Temperature	T _{stg}	-40~ +100		°C
Lead Soldering Temperature	T _{sol}	260°C/5sec		-

■ Directivity



#Pulse width Max.10ms Duty ratio max 1/10

■ Electrical -Optical Characteristics

(Ta=25°C)

BN	Color		V _F (V)*			I _R (μA)	Φ _V (LM)*			I _v (mcd)*			Wd(nm)*			2θ1/2(deg)
			Min.	Typ.	Max.	Max.	Min.	Typ.	Max.	Min.	Typ.	Max.	Min.	Typ.	Max.	Typ.
			I _F =30mA			V _R =5V	I _F =30mA									
2637925	Pure White	W	-	2.9	3.4	10	8.5	10	-	43000	60000	-	5500-8500K(X:0.31,Y:0.33)			15
2637926	Warm White	M	-	2.9	3.4	10	8.5	10	-	43000	60000	-	2700-3200K(X:0.44,Y:0.41)			15
2637927	Blue	B	-	2.9	3.4	10	2.5	3.0	-	14400	18000	-	465	470	475	15
2637928	Pure Green	PG	-	2.9	3.4	10	9	10	-	85000	100000	-	520	525	530	15
2637929	Yellow	Y	-	2.1	2.6	10	3.5	4.5	-	22000	25000	-	585	590	595	15
2637930	Orange	O	-	2.1	2.6	10	3.5	4.5	-	22000	25000	-	600	605	610	15
2637931	Red	R	-	2.1	2.6	10	3.5	4.5	-	22000	25000	-	620	625	630	15

*1 Tolerance of measurements of chromaticity coordinate is ±10%

*2 Tolerance of measurements of dominant wavelength is ±1nm

*3 Tolerance of measurements of luminous flux is ±15%

*4 Tolerance of measurements of forward voltage is ±0.1V