

**5mm Round Variable Voltage LED**

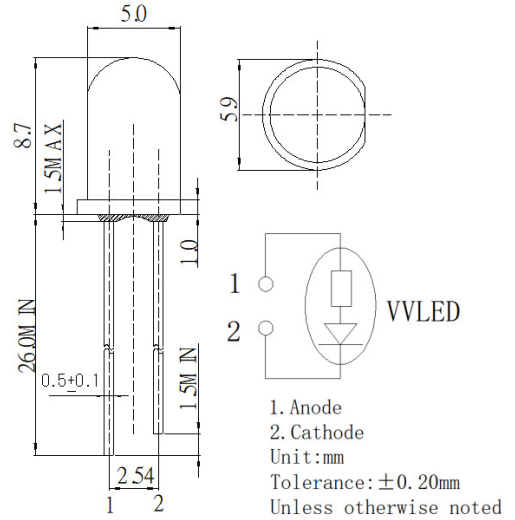
**■ Features**

- High Luminous LEDs
- 5mm Round Standard Directivity
- UV Resistant Epoxy
- Variable Voltage LED
- Cost Effective (Saves Space and Resistor Cost)
- Water Clear Type

**■ Applications**

- Status Indicators
- Other Lighting

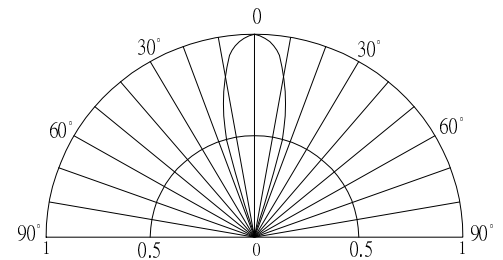
**■ Outline Dimension**



**■ Absolute Maximum Rating (Ta=25°C)**

Item	Symbol	Value	Unit
DC Forward Voltage	V <sub>F</sub>	16	V
Reverse Voltage	V <sub>R</sub>	12	V
Power Dissipation	P <sub>D</sub>	208	mW
Operating Temperature	Topr	-30 ~ +85	°C
Storage Temperature	Tstg	-30~ +85	°C
Lead Soldering Temperature	Tsol	260°C/5sec	-

**■ Directivity**



**■ Electrical -Optical Characteristics (Ta=25°C)**

BN	Color		I <sub>F</sub> (mA)*			I <sub>v</sub> (mcd)*			λD(nm)*			2θ1/2(deg)
			Min	Typ.	Max.	Min.	Typ.	Max.	Min.	Typ.	Max.	Typ.
			V <sub>F</sub> =9V			V <sub>F</sub> =9V						
2637939	White	W	-	7.5	13	-	5800	-	8500-18000K(X:0.27,Y:0.28)			30
2637940	Warm White	M	-	7.5	13	-	4500	-	2700-3200K(X:0.45,Y:0.41)			30
2637941	Blue	B	-	7.5	13	-	2180	-	465	470	475	30
2637942	Pure Green	G	-	7.5	13	-	5800	-	520	525	530	30
2637943	Yellow	Y	-	8	13	-	3000	-	585	590	595	30
2637944	Orange	O	-	8	13	-	3000	-	600	605	610	30
2637945	Red	R	-	8	13	-	3000	-	620	625	630	30

\*1 Tolerance of measurements of domi. wavelength is ±1nm  
 \*2 Tolerance of measurements of chromaticity coordinates is ±10%  
 \*3 Tolerance of measurements of luminous intensity is ±15%  
 \*4 Tolerance of measurements of forward voltage is ±0.1V

**5mm Round Variable Voltage LED**

**InGaN and Si Resistor LED**

**TYPICAL ELECTRICAL/OPTICAL CHARACTERISTIC CURVES**

