

5mm Round Bi-polar AC LED

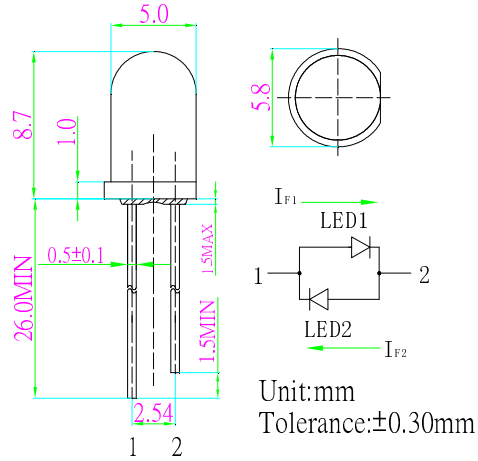
■Features

- High Luminous AC LEDs
- 5mm Round Standard Directivity
- Long Lifetime Operation
- UV Resistant Epoxy/ White Diffused Type
- Bi-polar Type

■Applications

- Toys
- Audio
- Indications
- General Use

■Outline Dimension

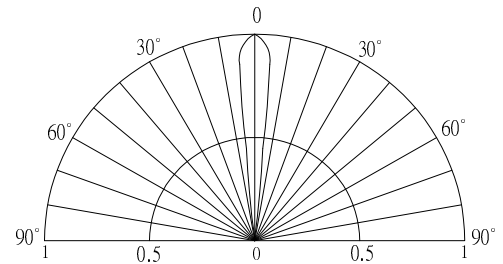


■Absolute Maximum Rating

(Ta=25°C)

Item	Symbol	Value		Unit
		W/M/B/PG	YG/Y/O/R	
DC Forward Current	I _F	30	30	mA
Pulse Forward Current#	I _{FP}	100	100	mA
Reverse Voltage	V _R	5	5	V
Power Dissipation	P _D	108	78	mW
Operating Temperature	T _{opr}	-30 ~ +85		°C
Storage Temperature	T _{stg}	-40~ +100		°C
Lead Soldering Temperature	T _{sol}	260°C/5sec		-

■Directivity



#Pulse width Max.10ms Duty ratio max 1/10

BN	Color			V _F (V)*			I _R (μA)	I _v (mcd)*			λ _D (nm)*			2θ1/2(deg)
				Min.	Typ.	Max.	Max.	Min.	Typ.	Max.	Min.	Typ.	Max.	Typ.
				I _F =20mA			V _R =5V	I _F =20mA						
2637946	Cool White	W		2.8	3.1	3.6	10	5800	7000	-	*CCT: 8000-18000K			15
2637947	Warm White	M	■	2.8	3.1	3.6	10	4200	5800	-	*CCT:2700-3200K			15
2637948	Blue	B	■	2.8	3.1	3.6	10	2180	3000	-	465	465	475	15
2637949	Pure Green	PG	■	2.8	3.1	3.6	10	5800	7000	-	520	525	530	15
2637950	Yellow Green	YG	■	1.8	2.1	2.6	10	750	1120	-	565	570	575	15
2637951	Yellow	Y	■	1.8	2.1	2.6	10	1560	2180	-	585	590	595	15
2637952	Orange	O	■	1.8	2.1	2.6	10	1560	2180	-	600	605	610	15
2637953	Red	R	■	1.8	2.1	2.6	10	1560	2180	-	620	625	630	15

*1 Tolerance of measurements of forward voltage is 0.1V
 *2 Tolerance of measurements of dominant wavelength is ±1nm
 *3 Tolerance of measurements of luminous intensity is ±15%
 *4 Tolerance of measurements of color temperature is +10%