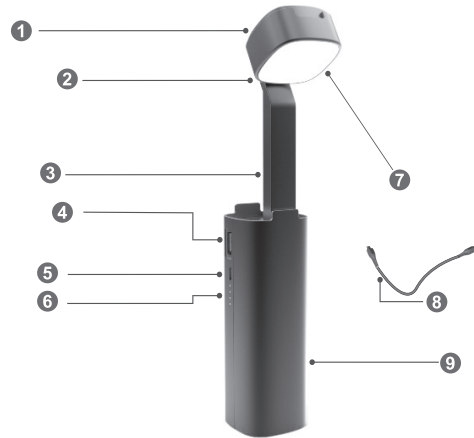


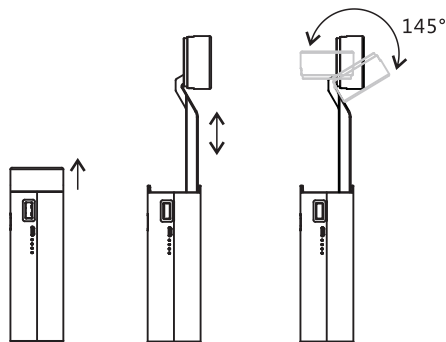
# INSTRUCTION MANUAL

Item No.: 2637995

- ① Lamp shade
- ② Swivel joint
- ③ Telescopic neck
- ④ OUTPUT
- ⑤ INPUT
- ⑥ Indicator
- ⑦ Optical filter
- ⑧ USB cable
- ⑨ Base



## LAMP ROTATING FUNCTION

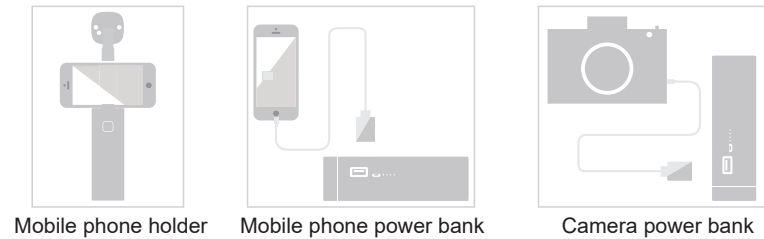


The lamp shade can be adjusted many angles, and the telescopic neck can extend the lamp head up and down.

## HOW TO USE

Charge the battery for 24 hrs when using for the first time.  
The product is portable and can be used as a power bank for charging mobile phones and cameras.

### USB output 5 V1A



## FEATURES

1. 3 brightness levels and strobe light.
2. High quality LED with secondary optical processing for soft bright lighting.
3. Lower power consumption.
4. Can be used as a light source and power bank.
5. Anti-flicker and no UV rays to help reduce eye fatigue.

## SPECIFICATION

Technical specifications		
Output voltage	Colour temperature	Power
5 V/DC	4000 K	3 W

## CAUTION



Do not use in damp or dusty environments.



Risk of burns, high heat! Do not touch the tube when lamp is on.



Do not use solvents, abrasives, or aerosol cleaners on the lamp. Discolouration may occur.



Do not use the lamp for an extended period of time, unplug the power supply plug from the outlet.



Risk of fire or electric shock! Do not remove the cover or modify the lamp.



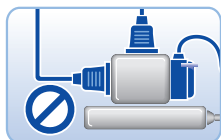
Do not place the lamp near hot objects or under direct sunlight.



Do not use the lamp if the power supply cord or plug is damaged.



Do not use the lamp near flammable objects or materials.



Do not overload the power outlet and/or extension cord.

## USB CABLE / LED INDICATOR



- Connect one end of the USB power cable to the USB-C® input socket, and the other end to a suitable power supply as shown.
- The LED indicators will light solid when the battery is fully charged.