



Passive Components > Resistors > Chassis Mount Resistors > Power Resistor: Aluminum Housed, 75 Watt



Resistor Type: **Power Resistor**

Passive Component Dimensions: **30 x 17 x 9 mm**

Number of Terminations: **2**

Packaging Method: **Loose Piece - Tray**

Passive Component Tolerance: **5 %**

[All Power Resistor: Aluminum Housed, 75 Watt \(236\)](#)

Features

Product Type Features

Resistor Type	Power Resistor
Element Type	Wire Wound

Configuration Features

Number of Resistors	1
---------------------	---

Electrical Characteristics

Voltage Rating	160 VDC
Passive Component Tolerance	5 %
Resistance Class	Up to 1kΩ
Resistance Value	.05 Ω
Power Rating	10 W

Termination Features

Number of Terminations	2
Chassis Mount Resistor Termination Type	Solder Lug

Mechanical Attachment

Chassis Mount Resistor Mount Style	Chassis Mount
------------------------------------	---------------

Dimensions

--	--

Passive Component Dimensions	30 x 17 x 9 mm
------------------------------	----------------

Usage Conditions

Temperature Coefficient	± 50 ppm/ $^{\circ}\text{C}$
-------------------------	----------------------------------

Packaging Features

Packaging Method	Loose Piece - Tray
------------------	--------------------

Product Compliance

[For compliance documentation, visit the product page on TE.com>](#)

EU RoHS Directive 2011/65/EU	Compliant
EU ELV Directive 2000/53/EC	Compliant
China RoHS 2 Directive MIIT Order No 32, 2016	No Restricted Materials Above Threshold
EU REACH Regulation (EC) No. 1907/2006	Current ECHA Candidate List: JUNE 2022 (224) Candidate List Declared Against: JUL 2021 (219) Does not contain REACH SVHC
Halogen Content	Not Yet Reviewed for halogen content
Solder Process Capability	Hand solderable with lead free solder

Product Compliance Disclaimer

This information is provided based on reasonable inquiry of our suppliers and represents our current actual knowledge based on the information they provided. This information is subject to change. The part numbers that TE has identified as EU RoHS compliant have a maximum concentration of 0.1% by weight in homogenous materials for lead, hexavalent chromium, mercury, PBB, PBDE, DBP, BBP, DEHP, DIBP, and 0.01% for cadmium, or qualify for an exemption to these limits as defined in the Annexes of Directive 2011/65/EU (RoHS2). Finished electrical and electronic equipment products will be CE marked as required by Directive 2011/65/EU. Components may not be CE marked. Additionally, the part numbers that TE has identified as EU ELV compliant have a maximum concentration of 0.1% by weight in homogenous materials for lead, hexavalent chromium, and mercury, and 0.01% for cadmium, or qualify for an exemption to these limits as defined in the Annexes of Directive 2000/53/EC (ELV). Regarding the REACH Regulation, the information TE provides on SVHC in articles for this part number is based on the latest European Chemicals Agency (ECHA) 'Guidance on requirements for substances in articles' posted at this URL: <https://echa.europa.eu/guidance-documents/guidance-on-reach>

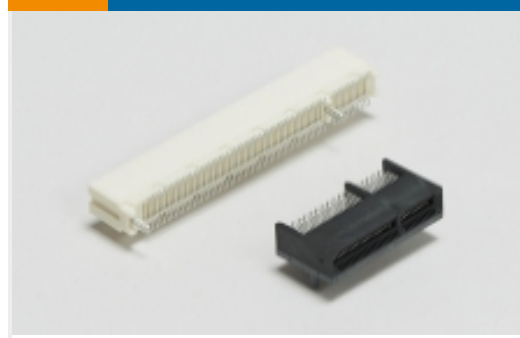
Compatible Parts



Also in the Series | CGS THS



Chassis Mount Resistors(237)



PCI & PCI Express Connectors(8)

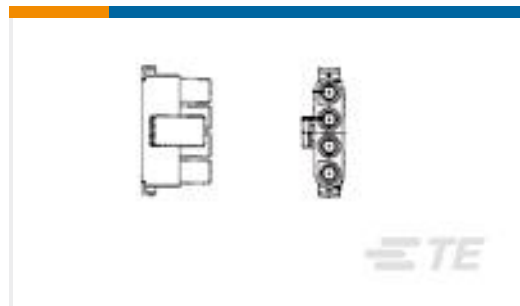
Customers Also Bought



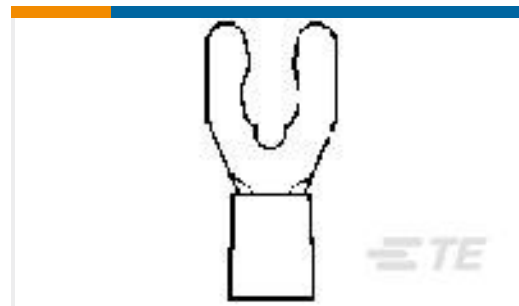
TE Part #32837-1
TERMINAL,PIDG R 22-16 10



TE Part #1-1879073-0
THS10 1R0 5%



TE Part #794116-1
04P .156 MNL PLUG



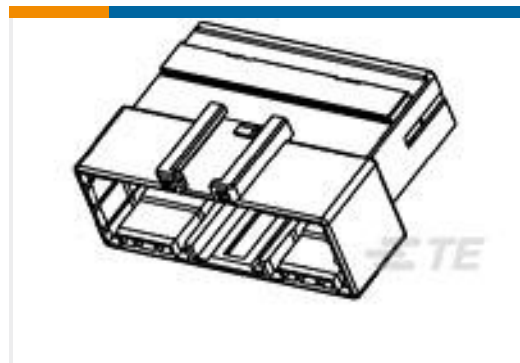
TE Part #52950-3
PG SPR SPD 22-16COMM22-18MIL 8



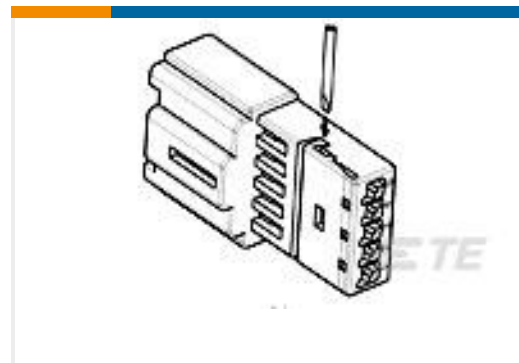
TE Part #1-1377175-5
SMP 0-0735160-0



TE Part #5748526-1
KIT,PLUG,9P,HDP-20,SHLD HDWRE



TE Part #936131-1
090III 20P CAP ASSY



TE Part #1-1418778-1
5POS MOS TAB



TE Part #4-2103177-4
PLUG ASSY, KEY D, FA,CPA, HVA280-2PHI XE

Documents

Product Drawings

THS10 R05 5%

English

CAD Files

3D PDF

3D



Customer View Model

[ENG_CVM_CVM_1879073-1_BA.2d_dxf.zip](#)

English

Customer View Model

[ENG_CVM_CVM_1879073-1_BA.3d_igs.zip](#)

English

Customer View Model

[ENG_CVM_CVM_1879073-1_BA.3d_stp.zip](#)

English

By downloading the CAD file I accept and agree to the [Terms and Conditions](#) of use.

Datasheets & Catalog Pages

[4-1773460-6_RESISTIVE_SOLUTIONS_RAIL](#)

English

[1309350_PASSIVE_COMPONENT](#)

English

[Aluminium Housed Power Resistors - Type THS Series - Tyco Electronics Passives](#)

English

[8-1773459-4_POWER_FILTERING_AND_RESISTIVE_SOLUTIONS_FOR_ELEVATORS_AND_ESCALATORS](#)

English