



Passive Components > Resistors > Thermistors



Package Size Code: **0805**

Beta Value: **2750 K**

Thermistor Mode of Operation: **Automatic Pick & Place**

## Features

### Product Type Features

Package Size Code	0805
-------------------	------

### Electrical Characteristics

Passive Component Tolerance	5 %
-----------------------------	-----

### Dimensions

Passive Component Dimensions	2 x 1.25 x.5 mm
------------------------------	-----------------

### Operation/Application

Thermistor Mode of Operation	Automatic Pick & Place
------------------------------	------------------------

### Packaging Features

Packaging Method	Taped & Reeled
------------------	----------------

### Other

Beta Value	2750 K
------------	--------

## Product Compliance

[For compliance documentation, visit the product page on TE.com>](#)

EU RoHS Directive 2011/65/EU	Compliant with Exemptions
EU ELV Directive 2000/53/EC	Compliant with Exemptions
China RoHS 2 Directive MIIT Order No 32, 2016	Restricted Materials Above Threshold
EU REACH Regulation (EC) No. 1907/2006	Current ECHA Candidate List: JUNE 2022 (224) Candidate List Declared Against: JAN 2022 (223)



Does not contain REACH SVHC

Halogen Content

Low Halogen - Br, Cl, F, I < 900 ppm per homogenous material. Also BFR/CFR/PVC Free

Solder Process Capability

Reflow solder capable to 260°C

Product Compliance Disclaimer

This information is provided based on reasonable inquiry of our suppliers and represents our current actual knowledge based on the information they provided. This information is subject to change. The part numbers that TE has identified as EU RoHS compliant have a maximum concentration of 0.1% by weight in homogenous materials for lead, hexavalent chromium, mercury, PBB, PBDE, DBP, BBP, DEHP, DIBP, and 0.01% for cadmium, or qualify for an exemption to these limits as defined in the Annexes of Directive 2011/65/EU (RoHS2). Finished electrical and electronic equipment products will be CE marked as required by Directive 2011/65/EU. Components may not be CE marked. Additionally, the part numbers that TE has identified as EU ELV compliant have a maximum concentration of 0.1% by weight in homogenous materials for lead, hexavalent chromium, and mercury, and 0.01% for cadmium, or qualify for an exemption to these limits as defined in the Annexes of Directive 2000/53/EC (ELV). Regarding the REACH Regulation, the information TE provides on SVHC in articles for this part number is based on the latest European Chemicals Agency (ECHA) 'Guidance on requirements for substances in articles' posted at this URL: <https://echa.europa.eu/guidance-documents/guidance-on-reach>

## Compatible Parts



TE Part # 1624345-1  
NTC0805 5% 10K



TE Part # 1624352-1  
NTC0805 5% 220R



TE Part # 1624368-2  
NTC0805 5% 6K8

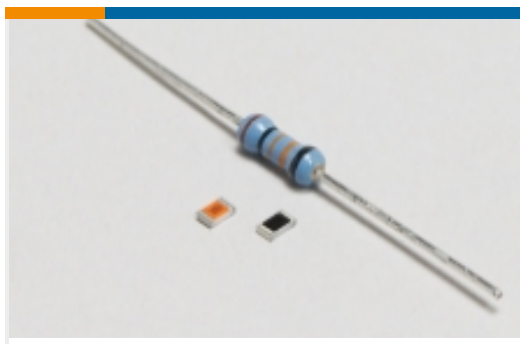


TE Part # 1624344-2  
NTC0805 5% 100K



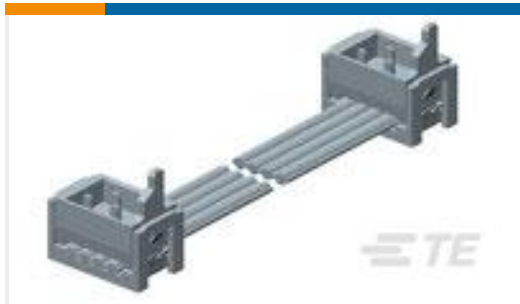
TE Part # 1624360-2  
NTC0805 5% 3K0

Also in the Series | [Neohm NTC](#)



Thermistors(25)

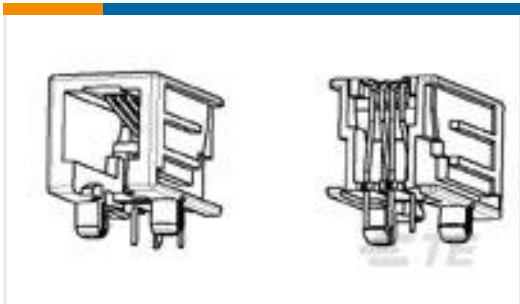
## Customers Also Bought



TE Part #2205061-3  
CA MICRO-MATCH MOW-MOW  
6POS



TE Part #9-2176070-4  
3521 75K 1% 2W



TE Part #1-1705950-1  
Modular Jack SE, 6/6, Gold flash



TE Part #641737-1  
04P CMNL HDR ASSY R/A PC NATL



TE Part #826634-5  
05P MODU 2 PIN HDR.



TE Part #9-1879352-6  
RR02 5% 3K0 AMMO



TE Part #YDTS26W25-35PNV001  
D38999: Straight Plug, 25-35 Insert



TE Part #212559-2  
CONN SAVER, 9 POSN,AMPLIMITE

## Documents

### Product Drawings

[NTC0805 5% 1K0](#)

English

### CAD Files

[3D PDF](#)

3D

Customer View Model

[ENG\\_CVM\\_CVM\\_1624349-1\\_BA.2d\\_dxf.zip](#)

English

Customer View Model

[ENG\\_CVM\\_CVM\\_1624349-1\\_BA.3d\\_igs.zip](#)

English

Customer View Model

[ENG\\_CVM\\_CVM\\_1624349-1\\_BA.3d\\_stp.zip](#)

English

By downloading the CAD file I accept and agree to the [Terms and Conditions](#) of use.



---

**Datasheets & Catalog Pages**

[1309350\\_PASSIVE\\_COMPONENT](#)

English

[Negative Temperature Coefficient Chip Thermistors - Type NTC Series](#)

English

---

**Product Environmental Compliance**

[Product Compliance](#)

English

[Product Compliance](#)

English