



Neohm | Neohm NTC

TE Internal #: 1624353-2

Thermistors, 0805, Beta Value 4100 K, Automatic Pick & Place,

Neohm NTC

[View on TE.com >](#)

Passive Components > Resistors > Thermistors



Package Size Code: **0805**

Beta Value: **4100 K**

Thermistor Mode of Operation: **Automatic Pick & Place**

Features

Product Type Features

Package Size Code	0805
-------------------	------

Electrical Characteristics

Passive Component Tolerance	5 %
-----------------------------	-----

Dimensions

Passive Component Dimensions	2 x 1.25 x.5 mm
------------------------------	-----------------

Operation/Application

Thermistor Mode of Operation	Automatic Pick & Place
------------------------------	------------------------

Packaging Features

Packaging Method	Taped & Reeled
------------------	----------------

Other

Beta Value	4100 K
------------	--------

Product Compliance

[For compliance documentation, visit the product page on TE.com>](#)

EU RoHS Directive 2011/65/EU	Compliant with Exemptions
EU ELV Directive 2000/53/EC	Compliant with Exemptions
China RoHS 2 Directive MIIT Order No 32, 2016	Restricted Materials Above Threshold
EU REACH Regulation (EC) No. 1907/2006	Current ECHA Candidate List: JUNE 2022 (224) Candidate List Declared Against: JAN 2022 (223)



Does not contain REACH SVHC

Halogen Content

Low Halogen - Br, Cl, F, I < 900 ppm per homogenous material. Also BFR/CFR/PVC Free

Solder Process Capability

Reflow solder capable to 260°C

Product Compliance Disclaimer

This information is provided based on reasonable inquiry of our suppliers and represents our current actual knowledge based on the information they provided. This information is subject to change. The part numbers that TE has identified as EU RoHS compliant have a maximum concentration of 0.1% by weight in homogenous materials for lead, hexavalent chromium, mercury, PBB, PBDE, DBP, BBP, DEHP, DIBP, and 0.01% for cadmium, or qualify for an exemption to these limits as defined in the Annexes of Directive 2011/65/EU (RoHS2). Finished electrical and electronic equipment products will be CE marked as required by Directive 2011/65/EU. Components may not be CE marked. Additionally, the part numbers that TE has identified as EU ELV compliant have a maximum concentration of 0.1% by weight in homogenous materials for lead, hexavalent chromium, and mercury, and 0.01% for cadmium, or qualify for an exemption to these limits as defined in the Annexes of Directive 2000/53/EC (ELV). Regarding the REACH Regulation, the information TE provides on SVHC in articles for this part number is based on the latest European Chemicals Agency (ECHA) 'Guidance on requirements for substances in articles' posted at this URL: <https://echa.europa.eu/guidance-documents/guidance-on-reach>

Compatible Parts



TE Part # 1624345-1
NTC0805 5% 10K



TE Part # 1624352-1
NTC0805 5% 220R



TE Part # 1624368-2
NTC0805 5% 6K8

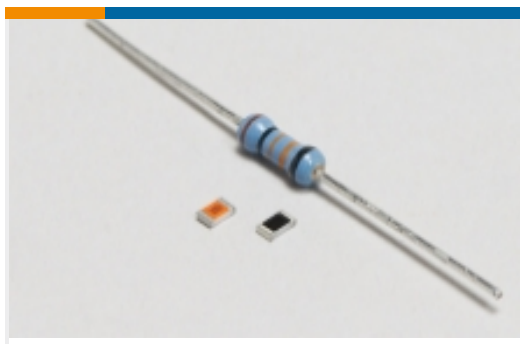


TE Part # 1624344-2
NTC0805 5% 100K



TE Part # 1624360-2
NTC0805 5% 3K0

Also in the Series | [Neohm NTC](#)



Thermistors(25)

Customers Also Bought



TE Part #3-1415353-1
SR6M4024



TE Part #2-1622820-8
3520 270R 5%



TE Part #1-1623929-5
CFR200 5% 1K0



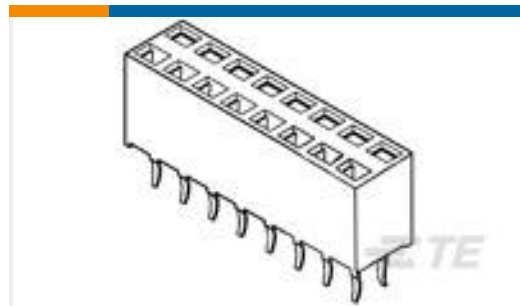
TE Part #280379-2
6P MODU II SHRD HDR, RT ANG, 0.38
AU



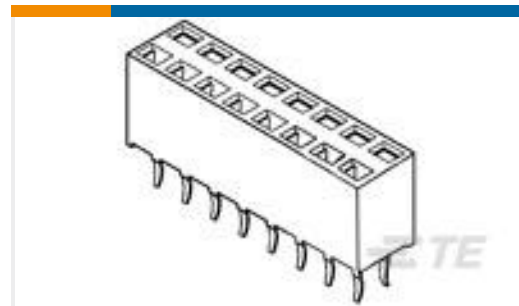
TE Part #2227249-2
1x4 Cage Assy Bhnd Bzl QSFP28



TE Part #2342933-1
QSFP-DD 1X1, STANDARD, W/
EXTRUDED HS



TE Part #2-215307-5
2X25P HV100 REC CON. TE, 7.0MM



TE Part #215307-2
2X2P HV100 REC CON. TE, 7.0MM



TE Part #2318579-1
RCPT CONN R/A SMT 76 POSN QSFP-
DD



TE Part #1478769-1
ANTI-VIB NYLON GLD 12MM BLK

Documents

Product Drawings

[NTC0805 5% 22K](#)

English

CAD Files

[3D PDF](#)

3D

[Customer View Model](#)

[ENG_CVM_CVM_1624353-2_BA.2d_dxf.zip](#)



English

Customer View Model

[ENG_CVM_CVM_1624353-2_BA.3d_igs.zip](#)

English

Customer View Model

[ENG_CVM_CVM_1624353-2_BA.3d_stp.zip](#)

English

By downloading the CAD file I accept and agree to the [Terms and Conditions](#) of use.

Datasheets & Catalog Pages

[1309350_PASSIVE_COMPONENT](#)

English

[Negative Temperature Coefficient Chip Thermistors - Type NTC Series](#)

English

Product Environmental Compliance

[Product Compliance](#)

English

[Product Compliance](#)

English