



Passive Components > Resistors > Thermistors



Package Size Code: **0805**

Beta Value: **3000 K**

Thermistor Mode of Operation: **Automatic Pick & Place**

Features

Product Type Features

Package Size Code	0805
-------------------	------

Electrical Characteristics

Passive Component Tolerance	5 %
-----------------------------	-----

Dimensions

Passive Component Dimensions	2 x 1.25 x.5 mm
------------------------------	-----------------

Operation/Application

Thermistor Mode of Operation	Automatic Pick & Place
------------------------------	------------------------

Packaging Features

Packaging Method	Taped & Reeled
------------------	----------------

Other

Beta Value	3000 K
------------	--------

Product Compliance

[For compliance documentation, visit the product page on TE.com>](#)

EU RoHS Directive 2011/65/EU	Compliant
EU ELV Directive 2000/53/EC	Compliant with Exemptions
China RoHS 2 Directive MIIT Order No 32, 2016	No Restricted Materials Above Threshold
EU REACH Regulation (EC) No. 1907/2006	Current ECHA Candidate List: JUNE 2022 (224) Candidate List Declared Against: JUNE 2022 (224)



Does not contain REACH SVHC

Halogen Content

Not Yet Reviewed for halogen content

Solder Process Capability

Reflow solder capable to 260°C

Product Compliance Disclaimer

This information is provided based on reasonable inquiry of our suppliers and represents our current actual knowledge based on the information they provided. This information is subject to change. The part numbers that TE has identified as EU RoHS compliant have a maximum concentration of 0.1% by weight in homogenous materials for lead, hexavalent chromium, mercury, PBB, PBDE, DBP, BBP, DEHP, DIBP, and 0.01% for cadmium, or qualify for an exemption to these limits as defined in the Annexes of Directive 2011/65/EU (RoHS2). Finished electrical and electronic equipment products will be CE marked as required by Directive 2011/65/EU. Components may not be CE marked. Additionally, the part numbers that TE has identified as EU ELV compliant have a maximum concentration of 0.1% by weight in homogenous materials for lead, hexavalent chromium, and mercury, and 0.01% for cadmium, or qualify for an exemption to these limits as defined in the Annexes of Directive 2000/53/EC (ELV). Regarding the REACH Regulation, the information TE provides on SVHC in articles for this part number is based on the latest European Chemicals Agency (ECHA) 'Guidance on requirements for substances in articles' posted at this URL: <https://echa.europa.eu/guidance-documents/guidance-on-reach>

Compatible Parts

TE Part # 1624345-1
NTC0805 5% 10K

TE Part # 1624352-1
NTC0805 5% 220R

TE Part # 1624368-2
NTC0805 5% 6K8

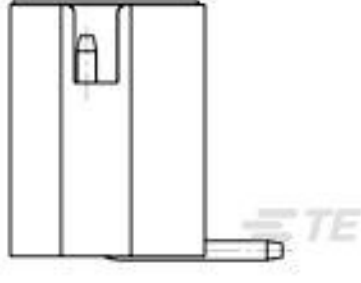
TE Part # 1624344-2
NTC0805 5% 100K

TE Part # 1624360-2
NTC0805 5% 3K0

Also in the Series | Neohm NTC

Thermistors(25)

Customers Also Bought



TE Part #1-1775470-1
HPI CONN., 2.0MM, V/T, SMT, 11P, 80U"



TE Part #TAA75AA1611-002
M12A5-MR-FS-PVC-1.0M



TE Part #3-2176400-8
3540 36R 1%



TE Part #3-1734260-6
WTB 1.25 PTH 30U" GLD 6 POS



TE Part #1624354-2
NTC0805 5% 2K0



TE Part #1-1971818-5
15P,RAST 2.5 Tab Header,Ex- Locking, THV



TE Part #1622687-1
LR2 1% 13R



TE Part #1624355-2
NTC0805 5% 2K2

Documents

Product Drawings

[NTC0805 5% 2K5](#)

English

CAD Files

[3D PDF](#)

3D

Customer View Model

[ENG_CVM_CVM_1624356-2_BA.2d_dxf.zip](#)

English

Customer View Model

[ENG_CVM_CVM_1624356-2_BA.3d_igs.zip](#)

English

Customer View Model

[ENG_CVM_CVM_1624356-2_BA.3d_stp.zip](#)

English

By downloading the CAD file I accept and agree to the [Terms and Conditions](#) of use.

Datasheets & Catalog Pages

[1309350_PASSIVE_COMPONENT](#)

English

[Negative Temperature Coefficient Chip Thermistors - Type NTC Series](#)

English