



Neohm | Neohm NTC

TE Internal #: 1624366-2

Thermistors, 0805, Beta Value 2750 K, Automatic Pick & Place, Neohm NTC

[View on TE.com >](#)

Passive Components > Resistors > Thermistors



Package Size Code: **0805**

Beta Value: **2750 K**

Thermistor Mode of Operation: **Automatic Pick & Place**

Features

Product Type Features

Package Size Code	0805
-------------------	------

Electrical Characteristics

Passive Component Tolerance	5 %
-----------------------------	-----

Dimensions

Passive Component Dimensions	2 x 1.25 x.5 mm
------------------------------	-----------------

Operation/Application

Thermistor Mode of Operation	Automatic Pick & Place
------------------------------	------------------------

Packaging Features

Packaging Method	Taped & Reeled
------------------	----------------

Other

Beta Value	2750 K
------------	--------

Product Compliance

[For compliance documentation, visit the product page on TE.com>](#)

EU RoHS Directive 2011/65/EU	Compliant with Exemptions
EU ELV Directive 2000/53/EC	Compliant with Exemptions
China RoHS 2 Directive MIIT Order No 32, 2016	Restricted Materials Above Threshold
EU REACH Regulation (EC) No. 1907/2006	Current ECHA Candidate List: JUNE 2022 (224) Candidate List Declared Against: JUL 2021 (219)

Does not contain REACH SVHC

Halogen Content

Not Yet Reviewed for halogen content

Solder Process Capability

Reflow solder capable to 260°C

Product Compliance Disclaimer

This information is provided based on reasonable inquiry of our suppliers and represents our current actual knowledge based on the information they provided. This information is subject to change. The part numbers that TE has identified as EU RoHS compliant have a maximum concentration of 0.1% by weight in homogenous materials for lead, hexavalent chromium, mercury, PBB, PBDE, DBP, BBP, DEHP, DIBP, and 0.01% for cadmium, or qualify for an exemption to these limits as defined in the Annexes of Directive 2011/65/EU (RoHS2). Finished electrical and electronic equipment products will be CE marked as required by Directive 2011/65/EU. Components may not be CE marked. Additionally, the part numbers that TE has identified as EU ELV compliant have a maximum concentration of 0.1% by weight in homogenous materials for lead, hexavalent chromium, and mercury, and 0.01% for cadmium, or qualify for an exemption to these limits as defined in the Annexes of Directive 2000/53/EC (ELV). Regarding the REACH Regulation, the information TE provides on SVHC in articles for this part number is based on the latest European Chemicals Agency (ECHA) 'Guidance on requirements for substances in articles' posted at this URL: <https://echa.europa.eu/guidance-documents/guidance-on-reach>

Compatible Parts



TE Part # 1624345-1
NTC0805 5% 10K



TE Part # 1624352-1
NTC0805 5% 220R



TE Part # 1624368-2
NTC0805 5% 6K8



TE Part # 1624344-2
NTC0805 5% 100K



TE Part # 1624360-2
NTC0805 5% 3K0

Also in the Series | Neohm NTC



Thermistors(25)

Customers Also Bought



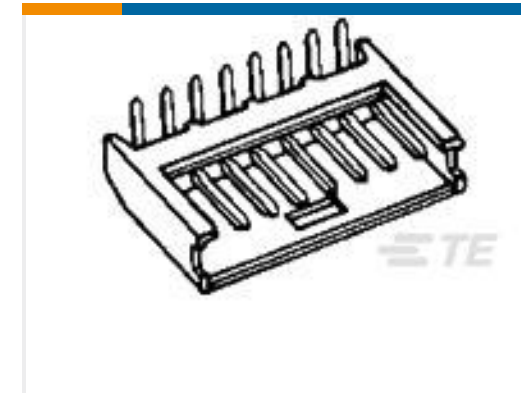
TE Part #640456-4
04P MTA100 HDR ASSY F/L SQ STR



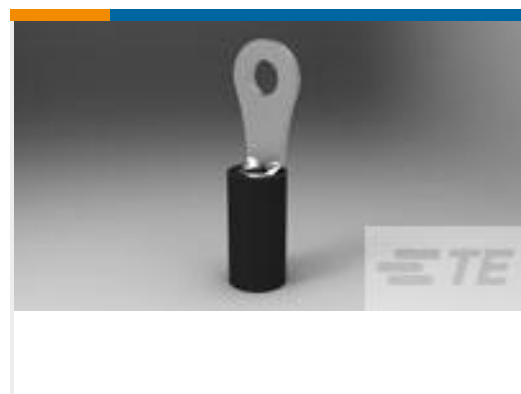
TE Part #469411-000
0024A0024-9X



TE Part #280389-2
2X4P MODU II SHRD HDR,RT ANG, 0.38AU



TE Part #280378-2
4P MODU II SHRD HDR, RT ANG, 0.38 AU



TE Part #151458
TERMINAL R T PIDG NYL AWG 22 #



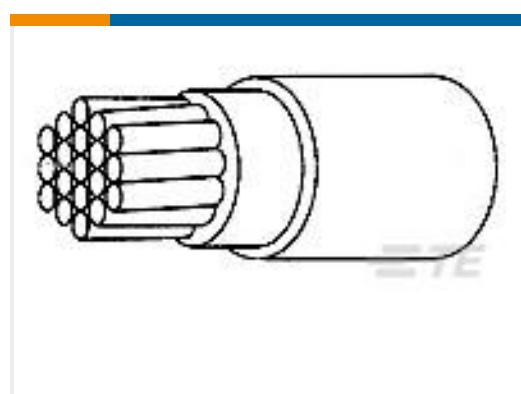
TE Part #5677944003
RNF-3000-12/4-X-SP



TE Part #DTM04-3P-E004
REC, 3P, BLK, N



TE Part #A88975-000
B-155-07



TE Part #7090833001
99M0111-12-2



TE Part #D03269-000
B-155-07-35-22-5

Documents

Product Drawings

[NTC0805 5% 680R](#)

English

CAD Files

[3D PDF](#)

3D

Customer View Model

[ENG_CVM_CVM_1624366-2_BA.2d_dxf.zip](#)

English

Customer View Model

[ENG_CVM_CVM_1624366-2_BA.3d_igs.zip](#)

English

Customer View Model

[ENG_CVM_CVM_1624366-2_BA.3d_stp.zip](#)

English

By downloading the CAD file I accept and agree to the [Terms and Conditions](#) of use.



[Datasheets & Catalog Pages](#)

[1309350_PASSIVE_COMPONENT](#)

English

[Negative Temperature Coefficient Chip Thermistors - Type NTC Series](#)

English