



RAYCHEM

TE Internal #: EG2902-000

Heat Shrink Equipment, Discrete, EMEA / Asia Pacific, Cable Assembly, Heating Tool, 220 V

[View on TE.com >](#)

Application Tooling > Heat Shrink Equipment



Equipment Processing Type: **Discrete**

Heat Shrink Equipment Region: **Asia Pacific, EMEA**

Heat Shrink Equipment Application: **Cable Assembly**

Tooling Type: **Heating Tool**

Operating Voltage: **220 V**

**Features**

**Electrical Characteristics**

Operating Voltage	220 V
-------------------	-------

**Product Availability**

Heat Shrink Equipment Region	Asia Pacific, EMEA
------------------------------	--------------------

**Other**

Equipment Processing Type	Discrete
Heat Shrink Equipment Application	Cable Assembly
Tooling Type	Heating Tool

**Product Compliance**

[For compliance documentation, visit the product page on TE.com>](#)

EU RoHS Directive 2011/65/EU	Compliant
EU ELV Directive 2000/53/EC	Compliant
China RoHS 2 Directive MIIT Order No 32, 2016	No Restricted Materials Above Threshold
EU REACH Regulation (EC) No. 1907/2006	Current ECHA Candidate List: JUNE 2022 (224) Candidate List Declared Against: JUN 2020 (209) Does not contain REACH SVHC
Halogen Content	Not Yet Reviewed for halogen content

Solder Process Capability

Not applicable for solder process capability

Product Compliance Disclaimer

This information is provided based on reasonable inquiry of our suppliers and represents our current actual knowledge based on the information they provided. This information is subject to change. The part numbers that TE has identified as EU RoHS compliant have a maximum concentration of 0.1% by weight in homogenous materials for lead, hexavalent chromium, mercury, PBB, PBDE, DBP, BBP, DEHP, DIBP, and 0.01% for cadmium, or qualify for an exemption to these limits as defined in the Annexes of Directive 2011/65/EU (RoHS2). Finished electrical and electronic equipment products will be CE marked as required by Directive 2011/65/EU. Components may not be CE marked. Additionally, the part numbers that TE has identified as EU ELV compliant have a maximum concentration of 0.1% by weight in homogenous materials for lead, hexavalent chromium, and mercury, and 0.01% for cadmium, or qualify for an exemption to these limits as defined in the Annexes of Directive 2000/53/EC (ELV). Regarding the REACH Regulation, the information TE provides on SVHC in articles for this part number is based on the latest European Chemicals Agency (ECHA) 'Guidance on requirements for substances in articles' posted at this URL: <https://echa.europa.eu/guidance-documents/guidance-on-reach>

### Compatible Parts



TE Part # EG3417-000  
CV2014-PR-ADAPTOR

### Customers Also Bought



TE Part # YDTS24F17-08ANV001  
RECP ASSY



TE Part # 523763-3  
PLUG GAUGE, HANDTOOL



TE Part # 5363716002  
CGPT-R-24/8-0



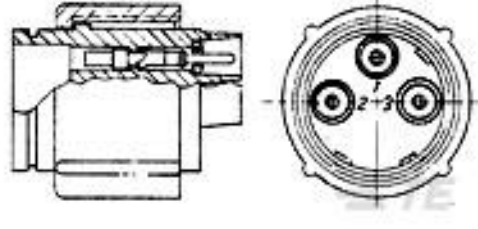
TE Part # 525440-7  
PLUG GAUGE, HANDTOOL



TE Part # 525443-1  
PLUG GAUGE, HANDTOOL



TE Part # 695321-000  
55A1121-12-0/2-9



TE Part # 863021-2  
PLUG ASSY, 3 PIN



TE Part # EK4891-000  
BTH1-17-10-1-ZN-SB



## Documents

### Datasheets & Catalog Pages

[Raychem Application Tooling](#)

English

---

### Agency Approvals

[CE Declaration of Conformity](#)

English