



Neohm | Neohm CRG

TE Internal #: 1623308-1

Surface Mount Resistors, General Purpose Resistor, 2 Termination, 0805, Taped & Reeled, 5 %, Thick Film, Resistance Class 1kΩ – 1MΩ, 10K Ω, Neohm CRG

[View on TE.com >](#)

Passive Components > Resistors > Surface Mount Resistors



Resistor Type: **General Purpose Resistor**

Number of Terminations: **2**

Package Size Code: **0805**

Packaging Method: **Taped & Reeled**

Passive Component Tolerance: **5 %**

## Features

### Product Type Features

Product Type	Fixed Resistor
Resistor Type	General Purpose Resistor
Package Size Code	0805
Element Type	Thick Film

### Configuration Features

Number of Resistors	1
---------------------	---

### Electrical Characteristics

Voltage Rating	150 V
Passive Component Tolerance	5 %
Resistance Class	1kΩ – 1MΩ
Resistance Value	10K Ω
Power Rating	.125 W

### Termination Features

Number of Terminations	2
Surface Mount Resistor Termination Type	Solder

### Dimensions

Passive Component Dimensions	2 x 1.25 x .55 mm
------------------------------	-------------------

### Usage Conditions



Temperature Coefficient	±200 ppm/°C
-------------------------	-------------

**Packaging Features**

Packaging Method	Taped & Reeled
------------------	----------------

**Product Compliance**

[For compliance documentation, visit the product page on TE.com>](#)

EU RoHS Directive 2011/65/EU	Compliant with Exemptions
EU ELV Directive 2000/53/EC	Compliant
China RoHS 2 Directive MIIT Order No 32, 2016	Restricted Materials Above Threshold
EU REACH Regulation (EC) No. 1907/2006	Current ECHA Candidate List: JUNE 2022 (224) Candidate List Declared Against: JUNE 2022 (224) Does not contain REACH SVHC
Halogen Content	Low Halogen - Br, Cl, F, I < 900 ppm per homogenous material. Also BFR/CFR/PVC Free
Solder Process Capability	Reflow solder capable to 260°C

Product Compliance Disclaimer

This information is provided based on reasonable inquiry of our suppliers and represents our current actual knowledge based on the information they provided. This information is subject to change. The part numbers that TE has identified as EU RoHS compliant have a maximum concentration of 0.1% by weight in homogenous materials for lead, hexavalent chromium, mercury, PBB, PBDE, DBP, BBP, DEHP, DIBP, and 0.01% for cadmium, or qualify for an exemption to these limits as defined in the Annexes of Directive 2011/65/EU (RoHS2). Finished electrical and electronic equipment products will be CE marked as required by Directive 2011/65/EU. Components may not be CE marked. Additionally, the part numbers that TE has identified as EU ELV compliant have a maximum concentration of 0.1% by weight in homogenous materials for lead, hexavalent chromium, and mercury, and 0.01% for cadmium, or qualify for an exemption to these limits as defined in the Annexes of Directive 2000/53/EC (ELV). Regarding the REACH Regulation, the information TE provides on SVHC in articles for this part number is based on the latest European Chemicals Agency (ECHA) 'Guidance on requirements for substances in articles' posted at this URL: <https://echa.europa.eu/guidance-documents/guidance-on-reach>

**Compatible Parts**

TE Part # 1623097-1  
CRG0805 1% 10K

TE Part # 1623404-1  
CRG1206 1% 10K

TE Part # 1622829-1  
CRG0603 1% 10K

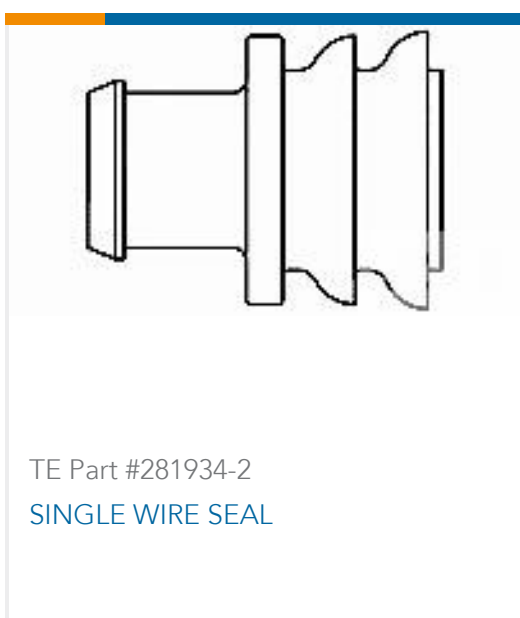
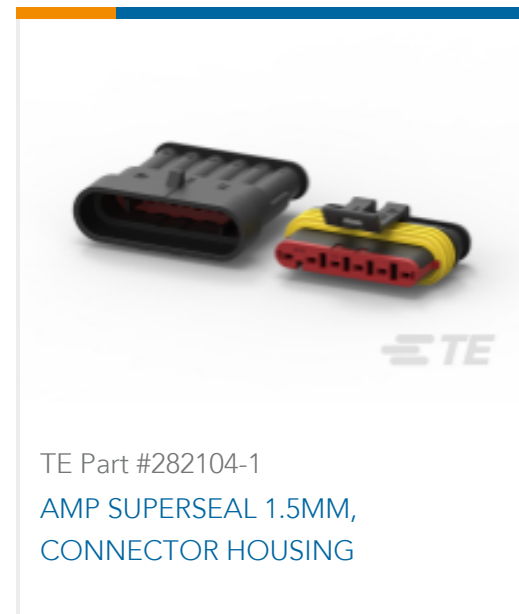
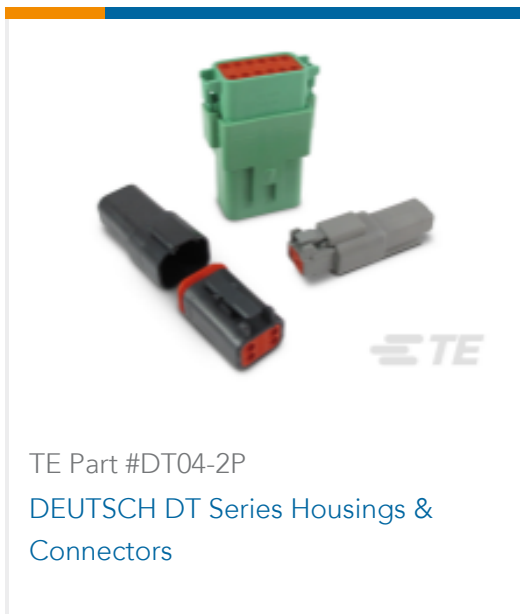
TE Part # 1676480-1  
CRG0402 1% 100K



### Also in the Series | Neohm CRG



### Customers Also Bought



### Documents

[Product Drawings](#)  
[CRG0805 5% 10K](#)

English

[CAD Files](#)  
[3D PDF](#)  
3D



**Customer View Model**

[ENG\\_CVM\\_CVM\\_1623308-1\\_BA.2d\\_dxf.zip](#)

English

**Customer View Model**

[ENG\\_CVM\\_CVM\\_1623308-1\\_BA.3d\\_igs.zip](#)

English

**Customer View Model**

[ENG\\_CVM\\_CVM\\_1623308-1\\_BA.3d\\_stp.zip](#)

English

By downloading the CAD file I accept and agree to the [Terms and Conditions](#) of use.

---

**Datasheets & Catalog Pages**

[1309350\\_PASSIVE\\_COMPONENT](#)

English

[Thick Film Chip Resistors - Type CRG series](#)

English

---

**Product Environmental Compliance**

[Product Compliance](#)

English

[Product Compliance](#)

English