



Passive Components > Resistors > Surface Mount Resistors



Resistor Type: **Power Resistor**

Number of Terminations: **2**

Packaging Method: **Taped & Reeled**

Passive Component Tolerance: **5 %**

Element Type: **Wire Wound**

Features

Product Type Features

| | |
|---------------|----------------|
| Product Type | Fixed Resistor |
| Resistor Type | Power Resistor |
| Element Type | Wire Wound |

Configuration Features

| | |
|---------------------|---|
| Number of Resistors | 1 |
|---------------------|---|

Electrical Characteristics

| | |
|-----------------------------|-------------------|
| Passive Component Tolerance | 5 % |
| Resistance Class | Up to 1k Ω |
| Resistance Value | 220 Ω |
| Power Rating | 2.5 W |

Termination Features

| | |
|---|--------|
| Number of Terminations | 2 |
| Surface Mount Resistor Termination Type | Solder |

Dimensions

| | |
|------------------------------|------------------------|
| Passive Component Dimensions | 12.14 x 5.84 x 5.33 mm |
|------------------------------|------------------------|

Usage Conditions

| | |
|-------------------------|----------------------------|
| Temperature Coefficient | ± 50 ppm/ $^{\circ}$ C |
|-------------------------|----------------------------|



Packaging Features

| | |
|------------------|----------------|
| Packaging Method | Taped & Reeled |
|------------------|----------------|

Product Compliance

[For compliance documentation, visit the product page on TE.com>](#)

| | |
|---|---|
| EU RoHS Directive 2011/65/EU | Compliant |
| EU ELV Directive 2000/53/EC | Compliant |
| China RoHS 2 Directive MIIT Order No 32, 2016 | No Restricted Materials Above Threshold |
| EU REACH Regulation (EC) No. 1907/2006 | Current ECHA Candidate List: JUNE 2022 (224) Candidate List Declared Against: JUNE 2022 (224) Does not contain REACH SVHC |
| Halogen Content | Low Halogen - Br, Cl, F, I < 900 ppm per homogenous material. Also BFR/CFR/PVC Free |
| Solder Process Capability | Reflow solder capable to 260°C |

Product Compliance Disclaimer

This information is provided based on reasonable inquiry of our suppliers and represents our current actual knowledge based on the information they provided. This information is subject to change. The part numbers that TE has identified as EU RoHS compliant have a maximum concentration of 0.1% by weight in homogenous materials for lead, hexavalent chromium, mercury, PBB, PBDE, DBP, BBP, DEHP, DIBP, and 0.01% for cadmium, or qualify for an exemption to these limits as defined in the Annexes of Directive 2011/65/EU (RoHS2). Finished electrical and electronic equipment products will be CE marked as required by Directive 2011/65/EU. Components may not be CE marked. Additionally, the part numbers that TE has identified as EU ELV compliant have a maximum concentration of 0.1% by weight in homogenous materials for lead, hexavalent chromium, and mercury, and 0.01% for cadmium, or qualify for an exemption to these limits as defined in the Annexes of Directive 2000/53/EC (ELV). Regarding the REACH Regulation, the information TE provides on SVHC in articles for this part number is based on the latest European Chemicals Agency (ECHA) 'Guidance on requirements for substances in articles' posted at this URL: <https://echa.europa.eu/guidance-documents/guidance-on-reach>

Compatible Parts

| | | | |
|--|--|---|--|
|  <p>TE Part # 1624274-2 SP1 120R 1% TAPED</p> |  <p>TE Part # 1624281-1 SP1 220R 5% TAPED</p> |  <p>TE Part # 1624298-2 SP2 13R3 1%TAPED</p> |  <p>TE Part # 2-1624292-1 SP1 475R 0.1% TAPED</p> |
|--|--|---|--|

Also in the Series | CGS SP



Primary Wire(4)



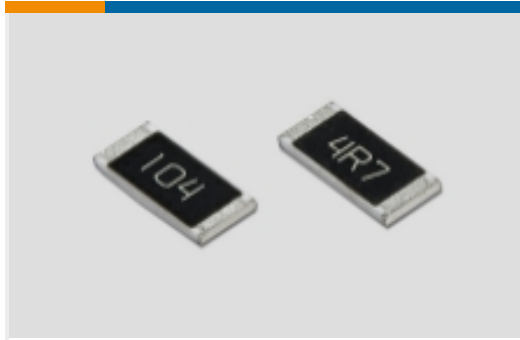
RJ45 Connectors(9)



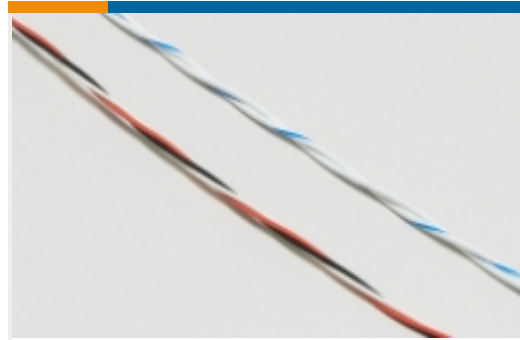
Standard Circular Connectors(8)



Standard Labels(10)



Surface Mount Resistors(35)

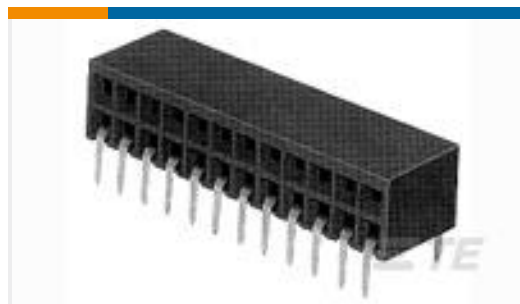


Twisted Pair Cable(1)

Customers Also Bought



TE Part #1-1617138-0
MAW-26S = RELAY



TE Part #3-87962-1
64 MODII HORZ DR CE 100CL/115



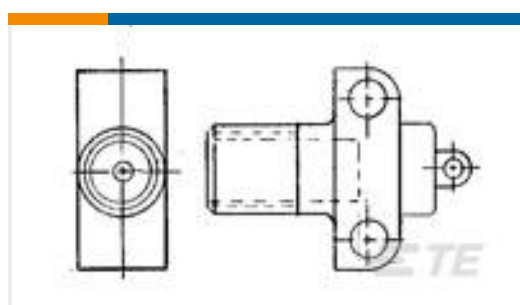
TE Part #3476303001
55A0812-22-0



TE Part #C614743001
55D0111-16-2



TE Part #6-146459-4
14 MODII HDR SRST UNSHRD STKG



TE Part #866803-1
LGH 1/2 RECEPTACLE



TE Part #1-1624317-0
SP3 22R1 1% TAPED

Documents

[CAD Files](#)

[3D PDF](#)

[3D](#)

[Customer View Model](#)

[ENG_CVM_CVM_1624301-3_BB.2d_dxf.zip](#)

English

[Customer View Model](#)

[ENG_CVM_CVM_1624301-3_BB.3d_igs.zip](#)



English

Customer View Model

[ENG_CVM_CVM_1624301-3_BB.3d_stp.zip](#)

English

By downloading the CAD file I accept and agree to the [Terms and Conditions](#) of use.

Datasheets & Catalog Pages

[1309350_PASSIVE_COMPONENT](#)

English

[SMD Precision Current Sense Resistor - Type S Series - Tyco Electronics Passives](#)

English