



CGS | CGS TL

TE Internal #: 1625827-2

Surface Mount Resistors, Low Ohmic Resistor, 2 Termination, 2512, Taped & Reeled, 1 %, Foil, Resistance Class Up to 1kΩ, .006 Ω, 1 W, CGS TL

[View on TE.com >](#)

Passive Components > Resistors > Surface Mount Resistors > Metal Chip Resistor: Current Sense



Resistor Type: **Low Ohmic Resistor**

Number of Terminations: **2**

Package Size Code: **2512**

Packaging Method: **Taped & Reeled**

Passive Component Tolerance: **1 %**

[All Metal Chip Resistor: Current Sense \(56\)](#)

Features

Product Type Features

Product Type	Fixed Resistor
Resistor Type	Low Ohmic Resistor
Package Size Code	2512
Element Type	Foil

Configuration Features

Number of Resistors	1
---------------------	---

Electrical Characteristics

Passive Component Tolerance	1 %
Resistance Class	Up to 1kΩ
Resistance Value	.006 Ω
Power Rating	1 W

Termination Features

Number of Terminations	2
Surface Mount Resistor Termination Type	Solder

Dimensions

Passive Component Dimensions	6.4 x 3.2 x .6 mm
------------------------------	-------------------



Usage Conditions

Temperature Coefficient	±75 ppm/°C
-------------------------	------------

Packaging Features

Packaging Method	Taped & Reeled
------------------	----------------

Product Compliance

[For compliance documentation, visit the product page on TE.com>](#)

EU RoHS Directive 2011/65/EU	Compliant
EU ELV Directive 2000/53/EC	Compliant
China RoHS 2 Directive MIIT Order No 32, 2016	No Restricted Materials Above Threshold
EU REACH Regulation (EC) No. 1907/2006	Current ECHA Candidate List: JUNE 2022 (224) Candidate List Declared Against: JUNE 2022 (224) Does not contain REACH SVHC
Halogen Content	Low Halogen - Br, Cl, F, I < 900 ppm per homogenous material. Also BFR/CFR/PVC Free
Solder Process Capability	Reflow solder capable to 260°C

Product Compliance Disclaimer

This information is provided based on reasonable inquiry of our suppliers and represents our current actual knowledge based on the information they provided. This information is subject to change. The part numbers that TE has identified as EU RoHS compliant have a maximum concentration of 0.1% by weight in homogenous materials for lead, hexavalent chromium, mercury, PBB, PBDE, DBP, BBP, DEHP, DIBP, and 0.01% for cadmium, or qualify for an exemption to these limits as defined in the Annexes of Directive 2011/65/EU (RoHS2). Finished electrical and electronic equipment products will be CE marked as required by Directive 2011/65/EU. Components may not be CE marked. Additionally, the part numbers that TE has identified as EU ELV compliant have a maximum concentration of 0.1% by weight in homogenous materials for lead, hexavalent chromium, and mercury, and 0.01% for cadmium, or qualify for an exemption to these limits as defined in the Annexes of Directive 2000/53/EC (ELV). Regarding the REACH Regulation, the information TE provides on SVHC in articles for this part number is based on the latest European Chemicals Agency (ECHA) 'Guidance on requirements for substances in articles' posted at this URL: <https://echa.europa.eu/guidance-documents/guidance-on-reach>

Compatible Parts



Also in the Series | CGS TL



Hand Crimping Tools(4)



Surface Mount Resistors(56)

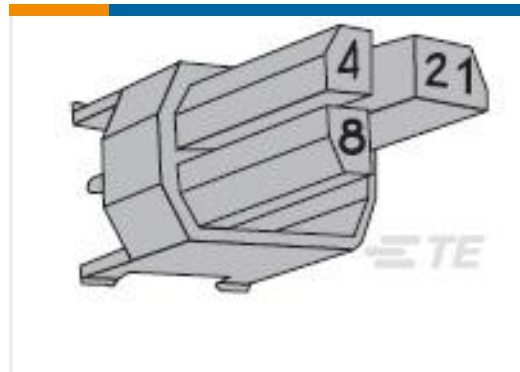
Customers Also Bought



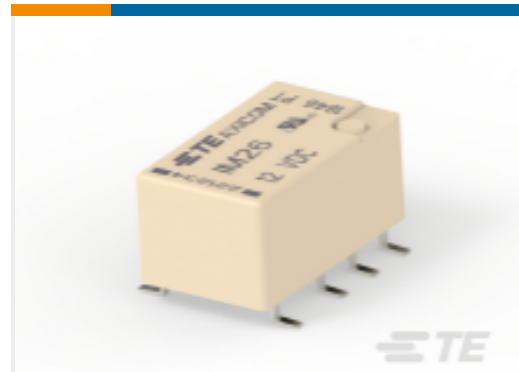
TE Part #5499160-8
AMP-LATCH UNIVERSAL HEADERS



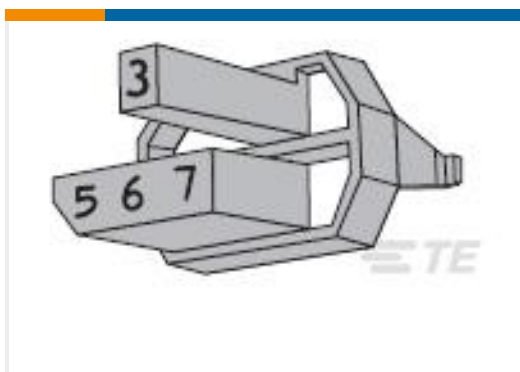
TE Part #171508-1
PIDG RING UL 22-16



TE Part #6-100525-9
Z-PACK M.CODING KEY



TE Part #3-1462039-1
IM26GR=IM RELAY 50mW 12V



TE Part #6-100526-9
Z-PACK F.CODING KEY

Documents

Product Drawings

TL3A R006 1% 2K RL

English

CAD Files

3D PDF

3D

Customer View Model

[ENG_CVM_CVM_1625827-2_BA.2d_dxf.zip](#)

English

Customer View Model

[ENG_CVM_CVM_1625827-2_BA.3d_igs.zip](#)

English

Customer View Model

[ENG_CVM_CVM_1625827-2_BA.3d_stp.zip](#)



English

By downloading the CAD file I accept and agree to the [Terms and Conditions](#) of use.

Datasheets & Catalog Pages

[1309350_PASSIVE_COMPONENT](#)

English

[SMD Low Ohmic - Current Sense Resistors - Type TL Series - Tyco Electronics Passives](#)

English

Product Environmental Compliance

[Product Compliance](#)

English

[Product Compliance](#)

English