



CGS | CGS TL

TE Internal #: 1-1625827-4

Surface Mount Resistors, Low Ohmic Resistor, 2 Termination, 2512, Taped & Reeled, 1 %, Foil, Resistance Class Up to 1kΩ, .1 Ω, 1 W, ±75 ppm/°C, CGS TL

[View on TE.com >](#)

Passive Components > Resistors > Surface Mount Resistors > Metal Chip Resistor: Current Sense



Resistor Type: **Low Ohmic Resistor**

Number of Terminations: **2**

Package Size Code: **2512**

Packaging Method: **Taped & Reeled**

Passive Component Tolerance: **1 %**

[All Metal Chip Resistor: Current Sense \(56\)](#)

## Features

### Product Type Features

Product Type	Fixed Resistor
Resistor Type	Low Ohmic Resistor
Package Size Code	2512
Element Type	Foil

### Configuration Features

Number of Resistors	1
---------------------	---

### Electrical Characteristics

Passive Component Tolerance	1 %
Resistance Class	Up to 1kΩ
Resistance Value	.1 Ω
Power Rating	1 W

### Termination Features

Number of Terminations	2
Surface Mount Resistor Termination Type	Solder

### Dimensions

Passive Component Dimensions	6.4 x 3.2 x .6 mm
------------------------------	-------------------



### Usage Conditions

Temperature Coefficient	±75 ppm/°C
-------------------------	------------

### Packaging Features

Packaging Method	Taped & Reeled
------------------	----------------

### Product Compliance

[For compliance documentation, visit the product page on TE.com>](#)

EU RoHS Directive 2011/65/EU	Compliant
EU ELV Directive 2000/53/EC	Compliant
China RoHS 2 Directive MIIT Order No 32, 2016	No Restricted Materials Above Threshold
EU REACH Regulation (EC) No. 1907/2006	Current ECHA Candidate List: JUNE 2022 (224) Candidate List Declared Against: JUNE 2022 (224) Does not contain REACH SVHC
Halogen Content	Low Halogen - Br, Cl, F, I < 900 ppm per homogenous material. Also BFR/CFR/PVC Free
Solder Process Capability	Reflow solder capable to 260°C

#### Product Compliance Disclaimer

This information is provided based on reasonable inquiry of our suppliers and represents our current actual knowledge based on the information they provided. This information is subject to change. The part numbers that TE has identified as EU RoHS compliant have a maximum concentration of 0.1% by weight in homogenous materials for lead, hexavalent chromium, mercury, PBB, PBDE, DBP, BBP, DEHP, DIBP, and 0.01% for cadmium, or qualify for an exemption to these limits as defined in the Annexes of Directive 2011/65/EU (RoHS2). Finished electrical and electronic equipment products will be CE marked as required by Directive 2011/65/EU. Components may not be CE marked. Additionally, the part numbers that TE has identified as EU ELV compliant have a maximum concentration of 0.1% by weight in homogenous materials for lead, hexavalent chromium, and mercury, and 0.01% for cadmium, or qualify for an exemption to these limits as defined in the Annexes of Directive 2000/53/EC (ELV). Regarding the REACH Regulation, the information TE provides on SVHC in articles for this part number is based on the latest European Chemicals Agency (ECHA) 'Guidance on requirements for substances in articles' posted at this URL: <https://echa.europa.eu/guidance-documents/guidance-on-reach>

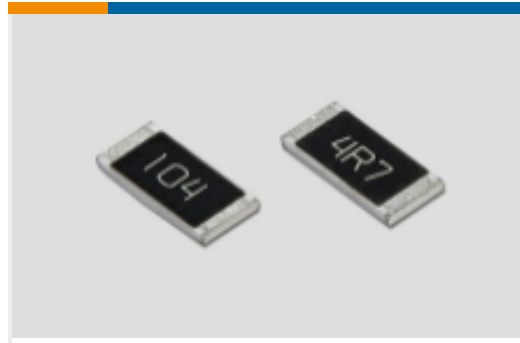
### Compatible Parts



## Also in the Series | CGS TL



Hand Crimping Tools(4)



Surface Mount Resistors(56)

## Customers Also Bought



TE Part #7-1614884-8  
CPF 0805 5K6 0.1% 25PPM 1K RL



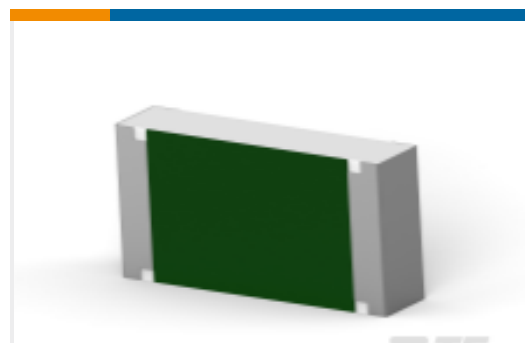
TE Part #1-103309-0  
050 LOPRO HDR SP 30DP



TE Part #1676229-2  
RN 0805 1K33 0.1% 10PPM 1KRL



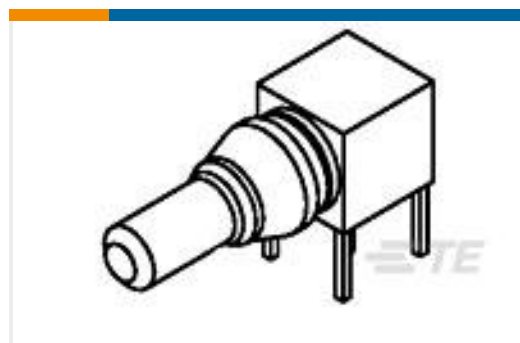
TE Part #1676380-2  
RN 0805 57K6 0.1% 10PPM 1KRL



TE Part #7-2176397-1  
3502 820R 1%



TE Part #4-2176371-7  
RQ 0603 14K 0.1% 10PPM 5K RL



TE Part #1-1393589-8  
C42334A 347A102=HS-STECKER

## Documents

### Product Drawings

[TL3A R10 1% 2K RL](#)

English

### CAD Files

[3D PDF](#)

3D

Customer View Model

[ENG\\_CVM\\_CVM\\_1-1625827-4\\_BA.2d\\_dxf.zip](#)

English

Customer View Model

[ENG\\_CVM\\_CVM\\_1-1625827-4\\_BA.3d\\_igs.zip](#)

English

Customer View Model

[ENG\\_CVM\\_CVM\\_1-1625827-4\\_BA.3d\\_stp.zip](#)



English

By downloading the CAD file I accept and agree to the [Terms and Conditions](#) of use.

### Datasheets & Catalog Pages

[1309350\\_PASSIVE\\_COMPONENT](#)

English

[SMD Low Ohmic - Current Sense Resistors - Type TL Series - Tyco Electronics Passives](#)

English

### Product Environmental Compliance

[Product Compliance](#)

English

[Product Compliance](#)

English