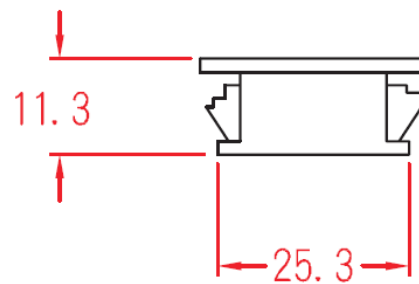
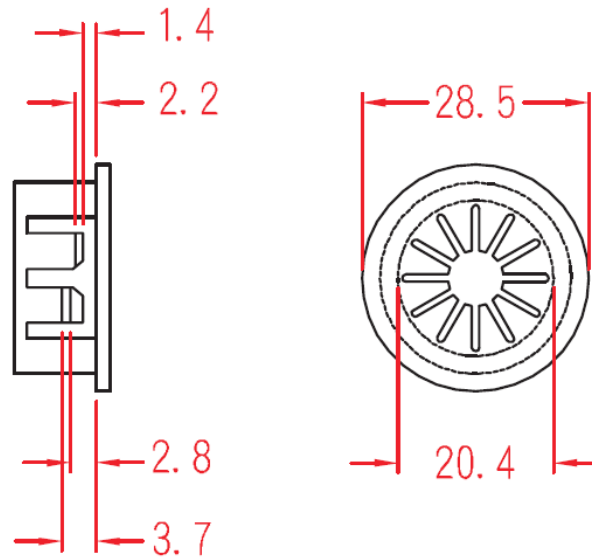


Data Sheet

Snap Bushing



- Material: Nylon 66
- UL 94V-2
- Temperature range: -40 - 85°C