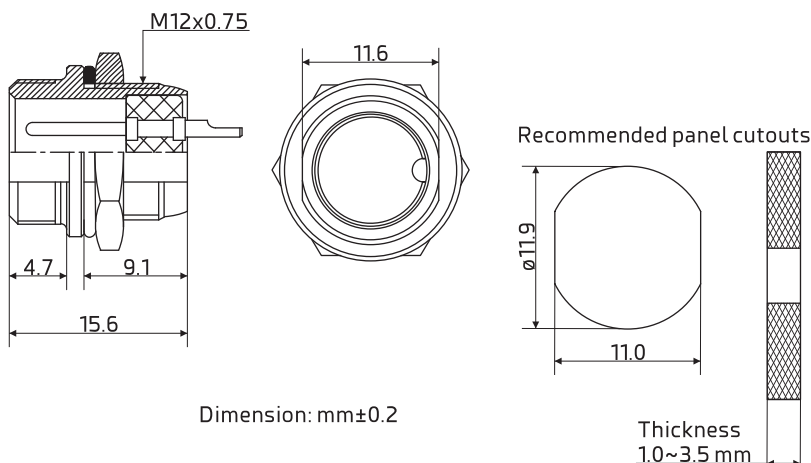
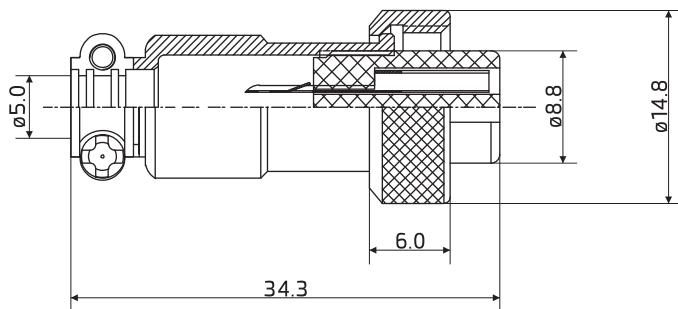


# DATASHEET

## Circular Connector, Wire to Panel, Straight Female Plug and Panel Mount Male Socket 2 Contacts / M12

Version 10/23

Item no.: 2705559



### Specification

Number of Contacts: 2  
Mating thread type: M12

### Material

Shell: Nickel plated Zinc Alloy  
Insulation: Black Bakelite  
Contact: Silver plated Copper

### Electrical

Operating voltage: 250V  
Rated current: 4 A  
Insulation resistance: 100 M $\Omega$  min.  
Contact resistance: 10 m $\Omega$  max.

### Environment

Operation temperature: -20 to 85°C  
Protect class: IP55  
Termination: Solder  
Suit Cable size: O.D.  $\phi$ 5mm max.  
Wire gauge: AWG 22 - 20  
Conductor cross-section: 0.34 -0.5mm<sup>2</sup>