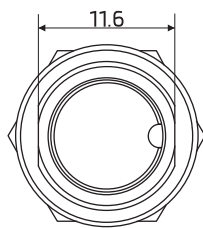
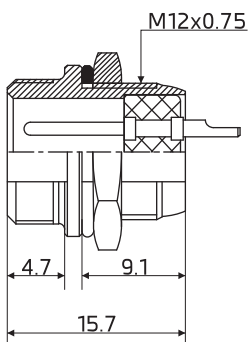
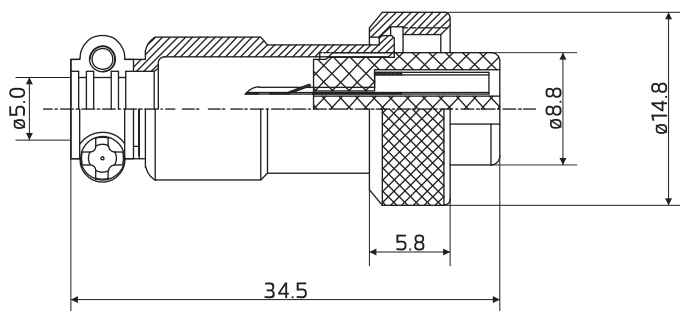


DATASHEET

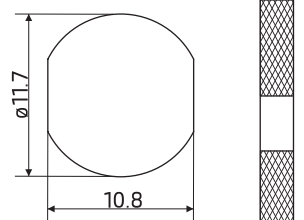
Circular Connector, Wire to Panel, Straight Female Plug and Panel Mount Male Socket 3 Contacts / M12

Version 10/23

Item no.: 2705560



Recommended panel cutouts



Dimension: mm \pm 0.2

Thickness
1.0~3.5 mm

Specification

Number of Contacts: 3
Mating thread type: M12

Material

Shell: Nickel plated Zinc Alloy
Insulation: Black Bakelite
Contact: Silver plated Copper

Electrical

Operating voltage: 250V
Rated current: 3 A
Insulation resistance: 100 M Ω min.
Contact resistance: 10 m Ω max.

Environment

Operation temperature: -20 to 85°C
Protect class: IP55
Termination: Solder
Suit Cable size: O.D. ϕ 5mm max.
Wire guide: AWG 22 - 20
Conductor cross-section: 0.34 - 0.5mm²