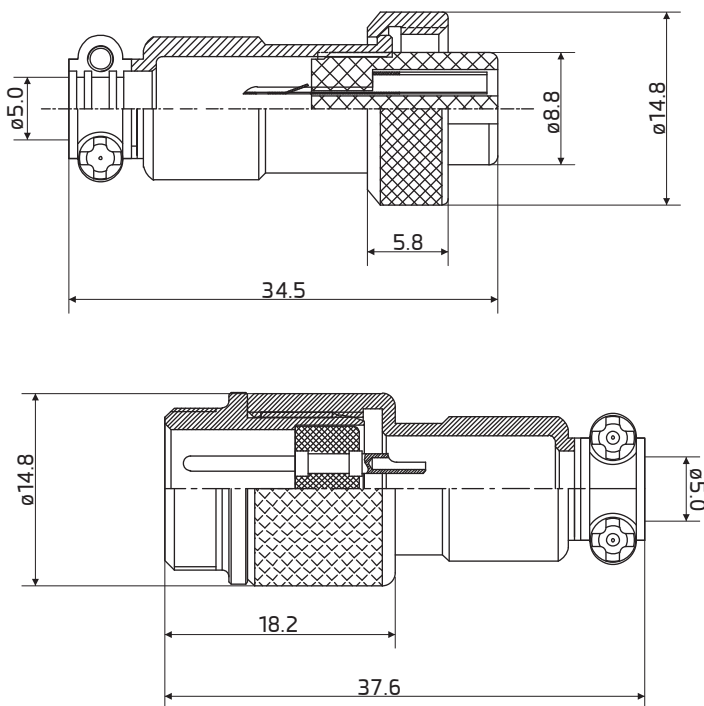


# DATASHEET

## Circular Connector, Wire to Wire, Straight Female Plug and Pin Socket 3 Contacts / M12

Version 10/23

Item no.: 2705565



Dimension: mm $\pm$ 0.2

### Specification

Number of Contacts: 3  
Mating thread type: M12

#### Material

Shell: Nickel plated Zinc Alloy  
Insulation: Black Bakelite  
Contact: Silver plated Copper

#### Electrical

Operating voltage: 250V  
Rated current: 3 A  
Insulation resistance: 100 M $\Omega$  min.  
Contact resistance: 10 m $\Omega$  max.

#### Environment

Operation temperature: -20 to 85°C  
Protect class: IP55  
Termination: Solder  
Suit Cable size: O.D.  $\phi$ 5mm max.  
Wire guide: AWG 22 - 20  
Conductor cross-section: 0.34 - 0.5mm<sup>2</sup>