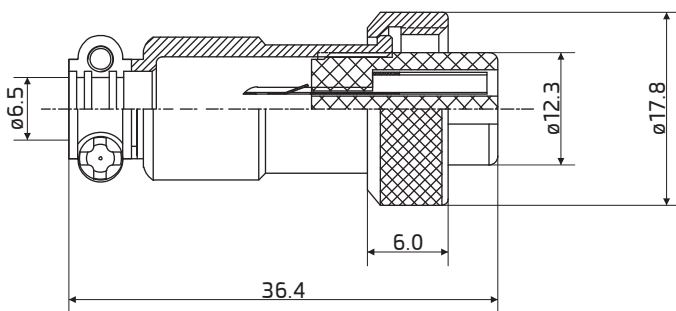


# DATASHEET

## Circular Connector, Wire to Panel, Straight Female Plug and Panel Mount Male Socket 5 Contacts / M16

Version 10/23

Item no.: 2705572



### Specification

Number of Contacts: 5  
Mating thread type: M16

### Material

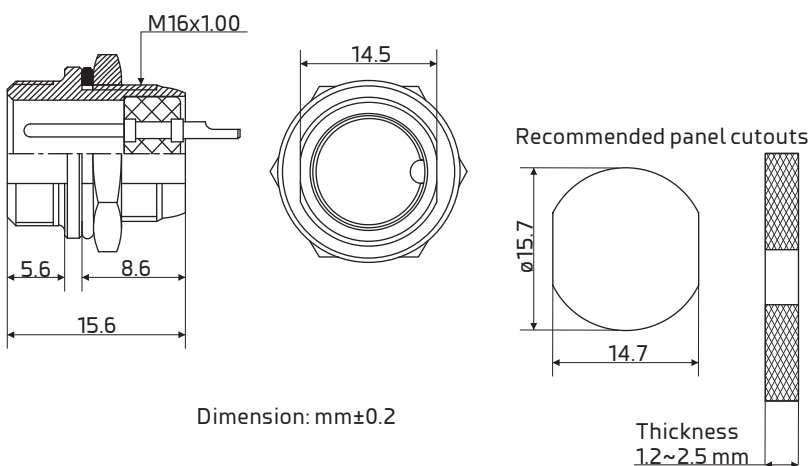
Shell: Nickel plated Zinc Alloy  
Insulation: Black Bakelite  
Contact: Silver plated Copper

### Electrical

Operating voltage: 60V  
Rated current: 5 A  
Insulation resistance: 100 M $\Omega$  min.  
Contact resistance: 10 m $\Omega$  max.

### Environment

Operation temperature: -20 to 85°C  
Protect class: IP55  
Termination: Solder  
Suit Cable size: O.D.  $\phi 6.5$ mm max.  
Wire guide: AWG 18 - 16  
Conductor cross-section: 1.0 - 1.3mm<sup>2</sup>



Dimension: mm $\pm 0.2$

Thickness  
1.2~2.5mm