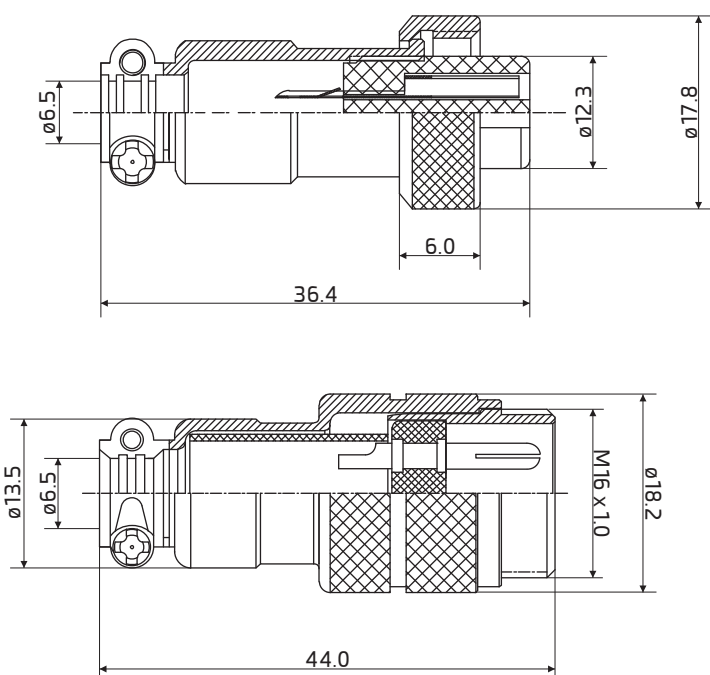


DATASHEET

Circular Connector, Wire to Wire, Straight Female Plug and Pin Socket 2 Contacts / M16

Version 10/23

Item no.: 2705578



Dimension: mm \pm 0.2

Specification

Number of Contacts: 2
Mating thread type: M16

Material

Shell: Nickel plated Zinc Alloy
Insulation: Black Bakelite
Contact: Silver plated Copper

Electrical

Operating voltage: 250V
Rated current: 7 A
Insulation resistance: 100 M Ω min.
Contact resistance: 10 m Ω max.

Environment

Operation temperature: -20 to 85°C
Protect class: IP55
Termination: Solder
Suit Cable size: O.D. $\phi 6.5$ mm max.
Wire guide: AWG 16 - 14
Conductor cross-section: 1.3 - 2.1mm²