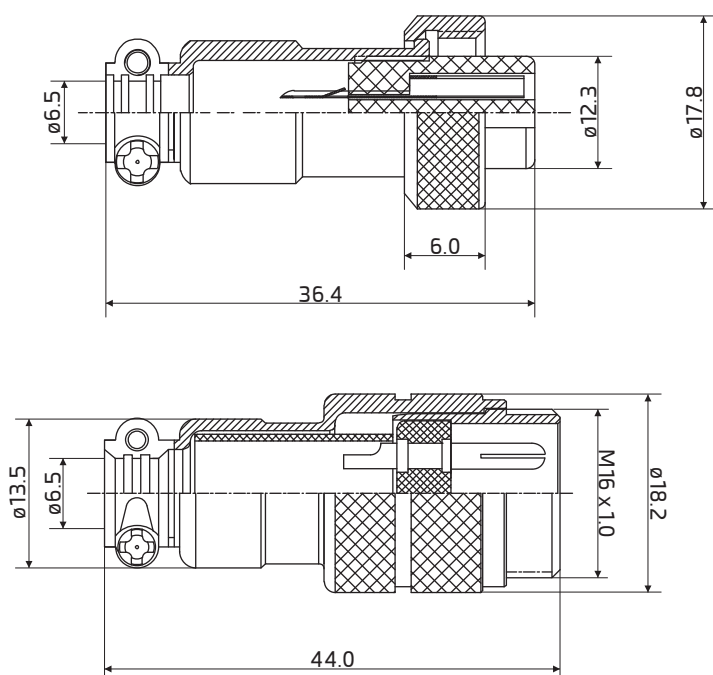


DATASHEET

Circular Connector, Wire to Wire, Straight Female Plug and Pin Socket 5 Contacts / M16

Version 10/23

Item no.: 2705581



Dimension: mm \pm 0.2

Specification

Number of Contacts: 5
Mating thread type: M16

Material

Shell: Nickel plated Zinc Alloy
Insulation: Black Bakelite
Contact: Silver plated Copper

Electrical

Operating voltage: 60V
Rated current: 5 A
Insulation resistance: 100 M Ω min.
Contact resistance: 10 m Ω max.

Environment

Operation temperature: -20 to 85 $^{\circ}$ C
Protect class: IP55
Termination: Solder
Suit Cable size: O.D. ϕ 6.5mm max.
Wire guide: AWG 18 - 10
Conductor cross-section: 1.0 - 1.3mm 2