



TE Internal #: 2118908-2
 Antenna, WLAN / ZigBee / Bluetooth, Printed Circuit Board,
 Surface Mount, Embedded, PCB, Product Length .774 in [18.9 mm],
 Width .244 in [6.2 mm]

[View on TE.com >](#)

Antennas



Wireless Application: **Bluetooth, Wi-Fi, WLAN, ZigBee**

Mounts To: **Printed Circuit Board**

Mounting Type: **Surface Mount**

Antenna Style: **Embedded**

Antenna Type: **PCB**

Features

Configuration Features

Band Type	Triple Band
Number of Ports	1
Antenna Style	Embedded
Antenna Type	PCB

Electrical Characteristics

VSWR (Max)	< 2.0:1, <2.5:1
Impedance	50 Ω
Antenna Operation	Passive

Signal Characteristics

Frequency Band	2400 – 2483.5 MHz, 5150 – 5875 MHz, 5925 – 7125 MHz
Gain (Max)	2.3 dB, 2.8 dB

Body Features

Product Weight	.2 g[.007 oz]
----------------	---------------



Mechanical Attachment

Polarization	Linear
Mounts To	Printed Circuit Board
Mounting Type	Surface Mount

Dimensions

Product Length	18.9 mm[.774 in]
Product Width	6.2 mm[.244 in]
Product Height	.76 mm[.029 in]

Operation/Application

Wireless Standard	802.11 a/b/g/n/ac/ad/ax, Bluetooth, ZigBee & Wi-Fi
-------------------	--

Industry Standards

Wireless Application	Bluetooth, Wi-Fi, WLAN, ZigBee
----------------------	--------------------------------

Product Availability

Applicable Region	Global
-------------------	--------

Packaging Features

Packaging Method	Bag & Box
------------------	-----------

Other

Precision Level	Standard
-----------------	----------

Product Compliance

[For compliance documentation, visit the product page on TE.com>](#)

EU RoHS Directive 2011/65/EU	Compliant
EU ELV Directive 2000/53/EC	Compliant
China RoHS 2 Directive MIIT Order No 32, 2016	No Restricted Materials Above Threshold
EU REACH Regulation (EC) No. 1907/2006	Current ECHA Candidate List: JUNE 2022 (224) Candidate List Declared Against: JAN 2022 (223) Does not contain REACH SVHC
Halogen Content	Low Halogen - Br, Cl, F, I < 900 ppm per homogenous material. Also BFR/CFR/PVC Free
Solder Process Capability	Reflow solder capable to 245°C

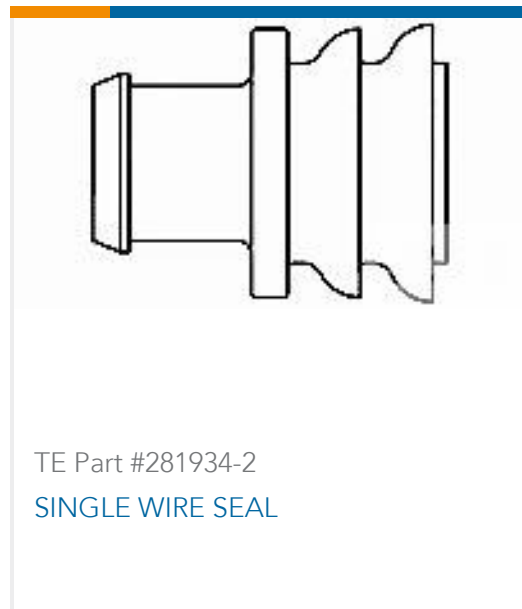
Product Compliance Disclaimer

This information is provided based on reasonable inquiry of our suppliers and represents our current actual knowledge based on the information they provided. This information is subject to change. The part numbers that TE has identified as EU RoHS compliant have a maximum concentration of 0.1% by weight in homogenous materials for lead, hexavalent chromium, mercury, PBB, PBDE, DBP, BBP, DEHP, DIBP, and 0.01% for cadmium, or qualify for an exemption to these limits as defined in the Annexes of Directive 2011/65/EU (RoHS2). Finished electrical and electronic equipment products will be CE marked as required by Directive 2011/65/EU. Components may not be CE marked. Additionally, the part numbers that TE has identified as EU ELV compliant have a maximum concentration of 0.1% by weight in homogenous materials for lead, hexavalent chromium, and mercury, and 0.01% for cadmium, or qualify for an exemption to these limits as defined in the Annexes of Directive 2000/53/EC (ELV). Regarding the REACH Regulation, the information TE provides on SVHC in articles for this part number is based on the latest European Chemicals Agency (ECHA) 'Guidance on requirements for substances in articles' posted at this URL: <https://echa.europa.eu/guidance-documents/guidance-on-reach>

Compatible Parts



Customers Also Bought



Documents

Product Drawings

PCB,WLAN TRIPLE BAND TAPE AND REELED

English

CAD Files

3D PDF

3D

Customer View Model

[ENG_CVM_CVM_2118908-2_A2.2d_dxf.zip](#)

English

Customer View Model

[ENG_CVM_CVM_2118908-2_A2.3d_igs.zip](#)

English

Customer View Model

[ENG_CVM_CVM_2118908-2_A2.3d_stp.zip](#)

English

By downloading the CAD file I accept and agree to the [Terms and Conditions](#) of use.

Datasheets & Catalog Pages

Wi-Fi 6E TRIPLE BAND ON BOARD ANTENNA

English