

FUSEHOLDERS

Bulgin's extensive range of fuseholders are designed to give the degree of protection demanded in today's sophisticated electronic equipment. Carrying world-wide safety approvals from UL, VDE, CSA and IMQ, all types are manufactured from high grade flame retardant nylon and polyester materials.

Designed primarily for 5 x 20mm and 6.3 x 32mm size fuses with protection against shock to categories PC1, PC2 and PC3. There's a choice of styles for in-line, PCB mounting and panel mounting (screw or snap fit) with terminal options for solder, 2.8mm, 4.8mm or 6.3mm tabs or PC spills.

Dust and waterproof designs provide a front of panel seal to IP68 in both 5 x 20mm and 6.3 x 32mm size fuses.

Fuse carrier styles include captive drawer, screw cap - with screw driver release, bayonet cap - with screw driver release and screw cap - with finger release.

Type	Fuse Size (mm)	Page
Captive Carriers		
FX0430	5 x 20	149
FX0460	5 x 20	149
FX0461	5 x 20	158
Panel Mounting		
FX0357	5 x 20	150
FX0359	5 x 20	150
FX0367	5 x 20	150
FX0369/1	5 x 20	150
FX0369/2	5 x 20	150
FX0454	5 x 20	151
FX0454/S	5 x 20	151
FX0455	5 x 20	151
FX0455/S	5 x 20	151
FX0458/1	5 x 20	151
FX0458/2	5 x 20	151
FX0415	6.3 x 32	152
FX0415/S	6.3 x 32	152
FX0416	6.3 x 25	152
FX0416/S	6.3 x 25	152
FX0417	6.3 x 32	153
FX0418/1	6.3 x 32	153
FX0418/2	6.3 x 32	153
FX0354	5 x 20	154
FX0354/S	5 x 20	154
FX0296	5 x 20	155
FX0296/S	5 x 20	155
FX0296/1	5 x 20	155

Type	Fuse Size (mm)	Page
Panel Mounting - IP66 and IP68		
FX0419	6.3 x 32	156
FX0462	5 x 20	156
FX0463	5 x 20	156
FX0345	5 x 20	157
FX0345/A	5 x 20	157
FX0365	5 x 20	157
FX0365/A	5 x 20	157
PC Mounting		
FX0461	5 x 20	158
FX0456	5 x 20	158
FX0457	5 x 20	158
FX0330	5 x 20	158
FX0342	5 x 20	158
FX0442	5 x 20	159
FX0443	5 x 20	159
FX0321	5 x 20	160
Base Mounting		
FX0267	5 x 20	160
FX0360	5 x 20	160
FX0326	6.3 x 32	161
FX0331	6.3 x 25	161
FX0327	6.3 x 32	161
In-Line Fuseholders		
FX0180	6.3 x 32	162
FX0185	6.3 x 32	162
FX0280	6.3 x 25	162
FX0285	6.3 x 25	162
FX0380	5 x 20	162
FX0385	5 x 20	162
Fuseholder Accessories		
		163

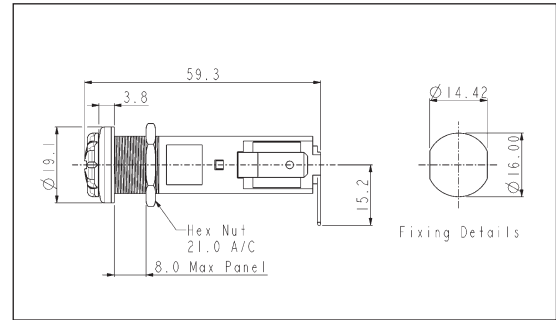
Panel Mounting Touchproof, Sealed to IP68, PC2

PANEL MOUNT



FX0419

- Panel Sealed to IP68
- Touchproof Category PC2
- Fuse Size 6.3 x 32mm
- Screw Cap/Screwdriver/Hand Release
- 16A, 250V ac

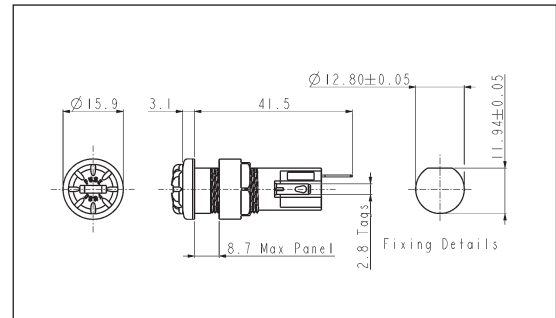


PANEL MOUNT



FX0462

- Panel Sealed to IP68
- Touchproof Category PC2
- Fuse Size 5 x 20mm
- Screw Cap/Screwdriver/Hand Release
- 10A, 250V ac

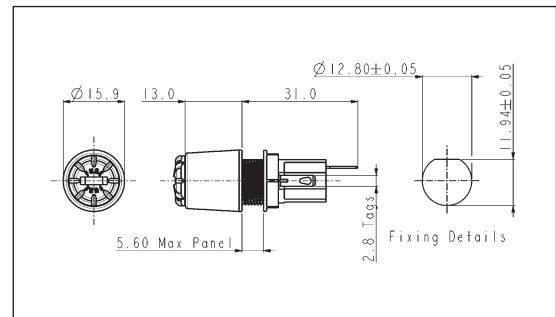


PANEL MOUNT



FX0463

- Panel Sealed to IP68
- Touchproof Category PC2
- Fuse Size 5 x 20mm
- High Profile Bezel
- Screw Cap/Screwdriver/Hand Release
- 10A, 250V ac



Specification	FX0419	FX0462	FX0463
Fuse Size:	6.3 x 32mm	5 x 20mm	5 x 20mm
Fuse Carrier:	Screw cap/Screwdriver/Hand release	Screw cap/Screwdriver/Hand release	Screw cap/Screwdriver/Hand release
Terminations:	6.3 series tabs	Solder tags	Solder tags
Max. Rating:	16A, 250V ac	10A, 250V ac	10A, 250V ac
Max. Power Dissipation:	2.5W (@ 23°C)	2.5W (@ 23°C)	2.5W (@ 23°C)
Insulation Resistance:	>10 ⁶ MΩ @ 500V d.c.	>10 ² MΩ @ 500V d.c.	>10 ² MΩ @ 500V d.c.
A.C. Breakdown:	>2kV @ 50Hz	7kV @ 50Hz	7kV @ 50Hz
Contact Resistance:	<10mΩ	<10mΩ	<10mΩ
Operating Temp:	-20°C to +85°C (ambient air temp + fuse temp rise)	-20°C to +85°C (ambient air temp + fuse temp rise)	-20°C to +85°C (ambient air temp + fuse temp rise)
Mouldings:			
Body:	Polyester UL94V-0 rated	Polyester UL94V-0 rated	Polyester UL94V-0 rated
Cap:	Nylon UL94V-0 rated	Nylon UL94V-0 rated	Nylon UL94V-0 rated
Nut:	Glass Filled Nylon UL94V-0 rated	Glass Filled Nylon UL94V-0 rated	Glass Filled Nylon UL94V-0 rated
Contacts:	Brass, Silver Plated	Brass, Silver Plated	Brass, Silver Plated
Tightening Torque:			
Cap:	0.5-0.6Nm (4.43-5.3lbf.in.)	0.4-0.6Nm (3.54-5.3lbf.in.)	0.4-0.6Nm (3.54-5.3lbf.in.)
Panel Nut:	0.5Nm (4.4lbf.in.)	0.5Nm (4.4lbf.in.)	0.5Nm (4.4lbf.in.)
Sealing:	IP68 to EN60529:1992	IP68 to EN60529:1992	IP68 to EN60529:1992
Approvals:			
Accessories:	-	P.Nos. 11327 (See page 163)	P.No. 11327(See page 163)
RoHS	Compliant	Compliant	Compliant