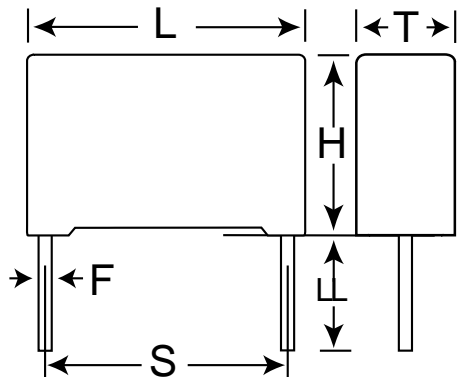


KEMET Part Number: MMK5684K63J03L16.5TA18
(F601JL684K063R, MMK5684K63J03L16,5TA18)

Capacitor, film, 0.68 uF, +/-10% Tol, -55/+100C, General Purpose, 63V@85C, Lead Spacing=5 mm



Dimensions (mm)		
Symbol	Dimension	Tolerance
L	7.2	MAX
H	9	MAX
T	4.5	MAX
S	5	+/-0.4
LL	16.5	NOM
F	0.5	NOM

Packaging Specifications	
Package Kind:	Ammo
Package Size:	330x330x50mm
Package Type:	Box
Package Quantity:	3000

General Information	
Supplier:	KEMET
Brand:	Evox
Miscellaneous Electrical:	Not for new design. Use F612JM684K063R (series F612)

Specifications	
Capacitance:	0.68 uF
Rated Temperature:	85C
Voltage @ rated temp:	63V
Voltage AC:	40VAC
Tolerance:	+/-10%
Body Type:	Radial Box
Dielectric:	Metallized Polyester
Application:	General Purpose
Temperature Range:	-55/+100C
Dissipation Factor @ 1 kHz:	0.8%
Dissipation Factor @ 10 kHz:	1.2%
Dissipation Factor @ 100kHz:	3%
Insulation Resistance:	7.35 GOhm
Inductance:	6 nH
Maximum dVdT:	25v/us