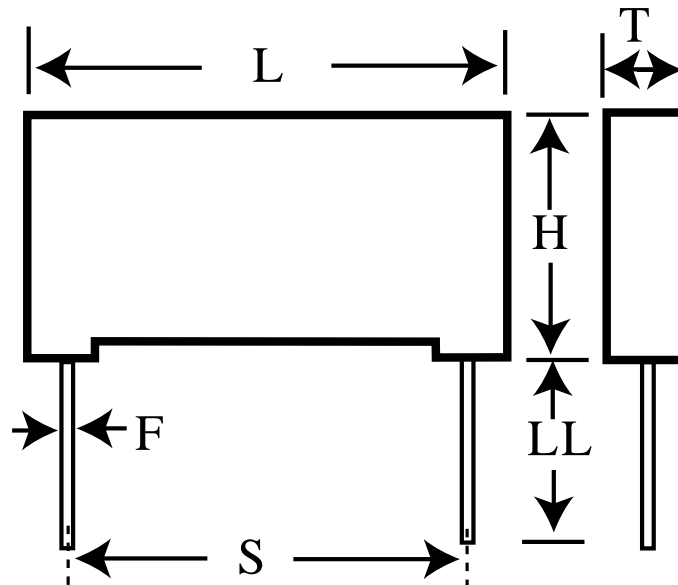


Capacitor, film, 1 uF, 20% Tol, 1250V@85C, Lead Spacing=37.5mm



Dimensions (mm)

Specifications

ID	Dimension	Tolerance
L	41	max
H	36	max
T	19	max
S	37.5	+/-0.5
LL	6	nom
F	1	nom

Manufacturer:	KEMET
Brand:	Rifa
Application:	Safety:Y
Capacitance:	1 uF
Tolerance:	20%
Temperature Range:	-55/+110C
Climate Category:	55/105/56
Voltage DC @ 85C:	1250V
Voltage DC @ 100C:	1250V
Voltage DC @ 105C:	1250V
Voltage DC @ 110C:	1250V
Voltage AC:	300VAC
Voltage AC Temperature:	110C
Approval UL:	Yes
Approval ENEC:	Yes
Approval CUL:	Yes
Approval CSA:	No
Dielectric:	Metallized Polypropylene
Construction:	Non Inductive
Dissipation Factor @ 1 KHz:	0.15%
Dissipation Factor @ 10 KHz:	0.4%
Insulation Resistance:	10 GOhm
Maximum dVdT:	100v/s
Body Type:	Radial Box
Package Kind:	Bulk
Package Type:	Tray
Package Quantity:	91
Miscellaneous Electrical:	Rated 480VAC UL, cUL, CSA