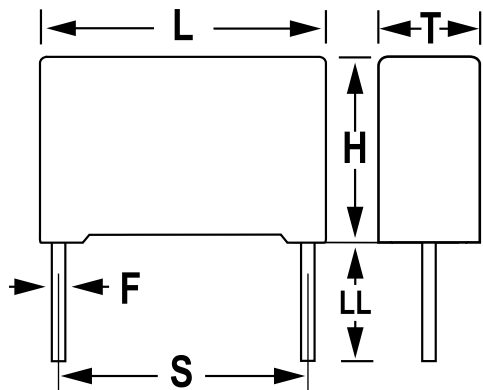


KEMET Part Number: PHE840MR7470MR03R06L2
(F840RM475M275C)

PHE840M/F840, Film, Metallized Polypropylene, Safety, 4.7 uF, 20%, 275 VAC (X2), 760 VDC, 105C, Lead Spacing = 37.5mm



General Information	
Supplier:	KEMET
Series:	PHE840M/F840
Dielectric:	Metallized Polypropylene
Style:	Radial
Features:	EMI Safety
RoHS:	Yes
Lead:	Wire Leads
Qualifications:	ENEC, UL, cUL
Notes:	Not For New Design, Please Check Possible Alternative Parts (AltPart)

Dimensions	
L	41mm MAX
H	36mm MAX
T	19mm MAX
S	37.5mm +/-0.5mm
LL	6mm NOM
F	1mm NOM

Specifications	
Capacitance:	4.7 uF
Capacitance Tolerance:	20%
Voltage AC:	275 VAC (X2)
Voltage DC:	760 VDC
Temperature Range:	-55/+105C
Rated Temperature:	105C
Dissipation Factor:	0.10% 1kHz, 0.80% 10kHz
Insulation Resistance:	2.1277 GOhms
Max dV/dt:	100 V/us
Safety Class:	X2

Packaging Specifications	
Packaging:	Bulk, Tray
Packaging Quantity:	91