

4

3

2

1

THIS DRAWING IS UNPUBLISHED

RELEASED FOR PUBLICATION

2017

© COPYRIGHT 2017

BY TE CONNECTIVITY

ALL RIGHTS RESERVED.

REVISIONS

P	LTR	DESCRIPTION	DATE	DWN	APVD
	A	INITIAL RELEASE	24MAY2017	AP	PV

IMC16-2002X AS SHOWN:

$\phi .278$  [7.06]  
 $\phi .340$  [8.64]  
 .300 [7.62]  
 SCALE 4:1

.122 [3.11]  
 .750 [19.05]  
 .594 [15.09]

NOTES:

- TE ORDER NUMBER
- BULK PACKAGING IN CORRUGATED BOX.
- INSERT ARRANGEMENT SEE PAGE 2.
- PN SUFFIX "X" = SHIPPED WITH CONTACTS
- CAVITY NUMBERING
- SUITABLE COUNTERPART:

PLUG	RECEPTACLE (INLINE)	RECEPTACLE (FLANGE)
IMC16-2002X	IMC11-2002X	IMC14-2002X
IMC16-2003X	IMC11-2003X	IMC14-2003X
IMC16-2204X	IMC11-2204X	IMC14-2204X

SUITABLE CONTACT  
 SIZE-20, (2X)  
 6862-201-20278

SCALE 2:1

PIN CONTACTS	DESCRIPTION	PART NO
22	IMC 100 SERIES PLUG 4 WAY	IMC16-2204X
20	IMC 100 SERIES PLUG 3 WAY	IMC16-2003X
20	IMC 100 SERIES PLUG 2 WAY	IMC16-2002X

THIS DRAWING IS A CONTROLLED DOCUMENT.

DWN 18MAY2017

AJITH PAI

CHK 22MAY2017

PRAVEEN V

APVD 22MAY2017

C FINZER

PRODUCT SPEC

-

APPLICATION SPEC

-

WEIGHT

1.3 g

CUSTOMER DRAWING

NAME  
 IMC 100 SERIES SHELL, PLUG ASSY

TE Connectivity

SIZE	CAGE CODE	DRAWING NO	RESTRICTED TO
A3		©-IMC16-2XXXX	-

DIMENSIONS: in [mm]	TOLERANCES UNLESS OTHERWISE SPECIFIED:
	0 PLC ±-
	1 PLC ±-
	2 PLC ±-
	3 PLC ±.025
	4 PLC ±-
	ANGLES ±1°
MATERIAL	FINISH
-	-
-	-

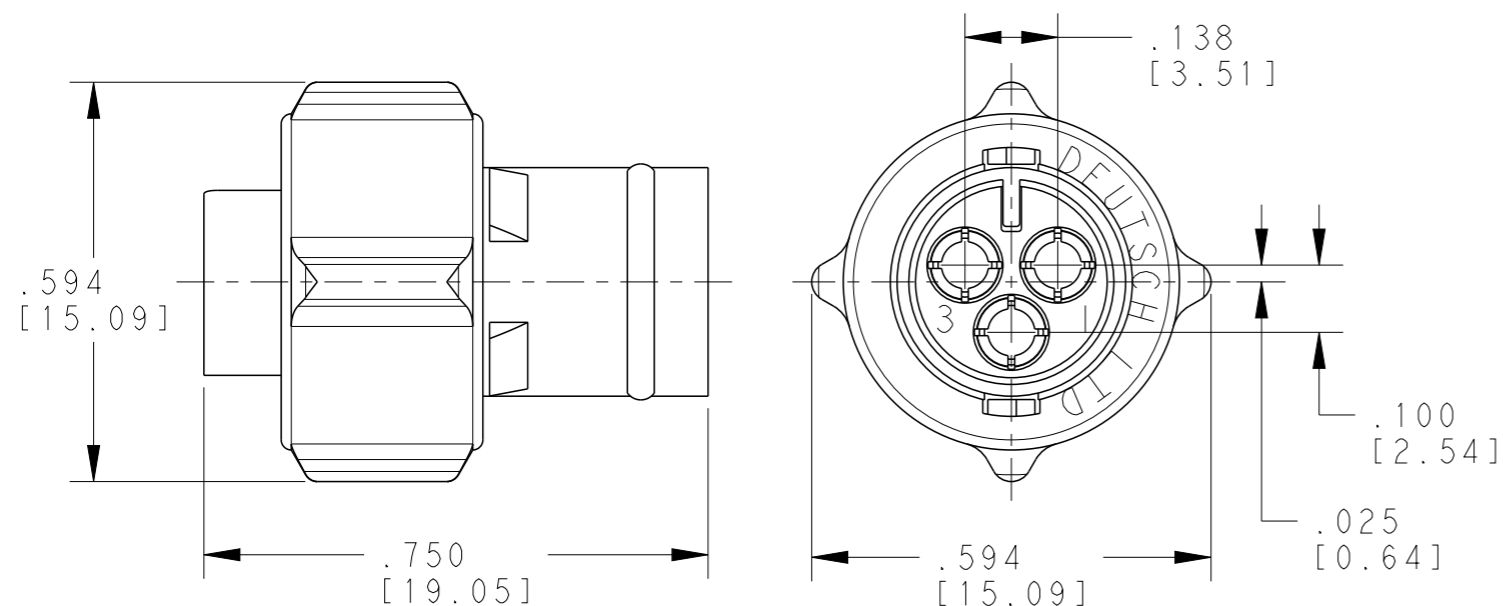
SCALE	SHEET	OF	REV
5:1	1	2	A

1470-19 (3/13)

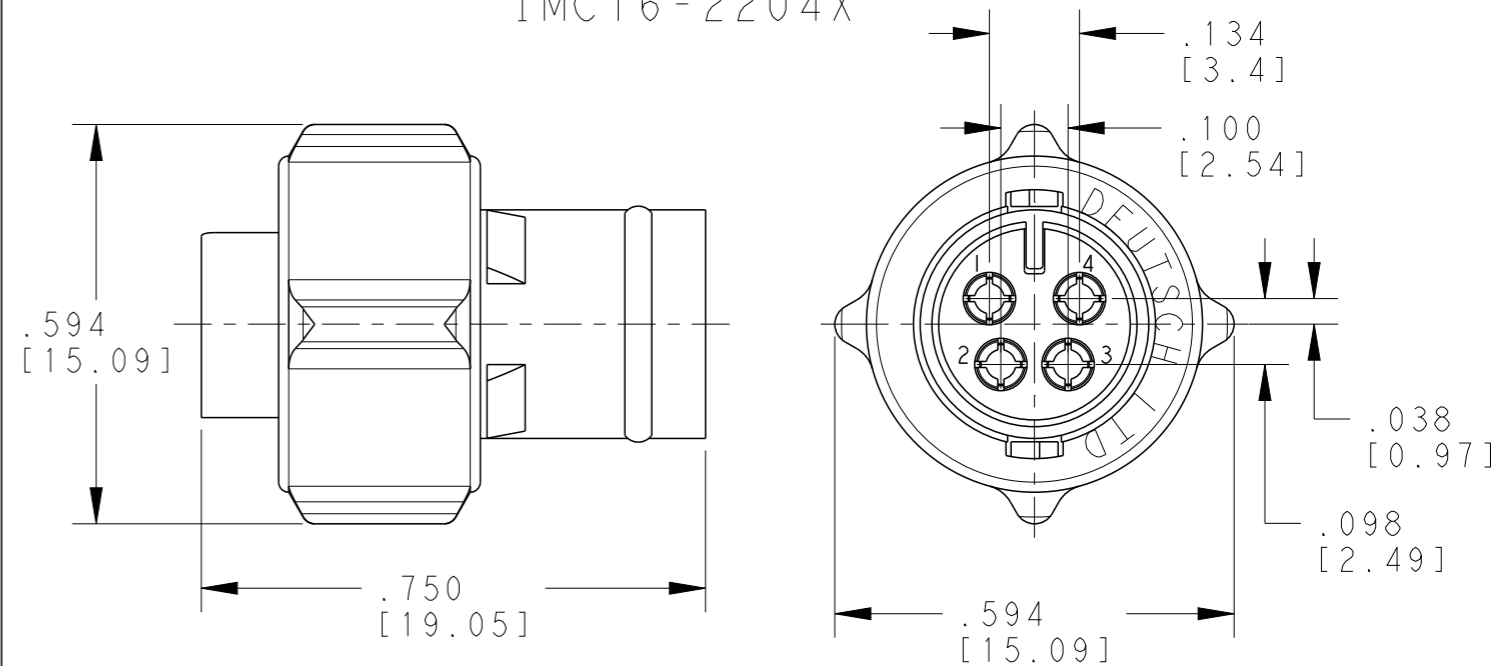
REVISIONS

P	LTR	DESCRIPTION	DATE	DWN	APVD
	-	SEE SHEET 1	-	-	-

IMC16-2003X



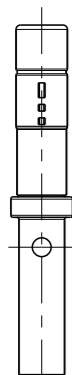
IMC16-2204X



SUITABLE CONTACT:  
 SIZE-22, (4X)  
 6862-201-22278

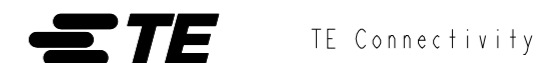


SUITABLE CONTACT:  
 SIZE-20, (3X)  
 6862-201-20278



THIS DRAWING IS A CONTROLLED DOCUMENT.

DWN 18MAY2017  
 AJITH PAI  
 CHK 22MAY2017  
 PRAVEEN V  
 APVD 22MAY2017  
 C FINZER



NAME IMC 100 SERIES SHELL, PLUG ASSY

DIMENSIONS: in [mm]	TOLERANCES UNLESS OTHERWISE SPECIFIED:
	0 PLC ±-
	1 PLC ±-
	2 PLC ±-
	3 PLC ±.025
	4 PLC ±-
	ANGLES ±1°
MATERIAL	FINISH
-	-

PRODUCT SPEC	-
APPLICATION SPEC	-
WEIGHT	1.3 g
CUSTOMER DRAWING	

SIZE	CAGE CODE	DRAWING NO	RESTRICTED TO
A3		©-IMC16-2XXXX	-
SCALE	SHEET	OF	REV
5:1	2	2	A