

# ACT26MJ20HN [V001] ✓ ACTIVE

DEUTSCH | DEUTSCH 38999 Series III Composite Connectors

TE Internal #: YACT26MJ20HNV00100

Standard Circular Connectors, Cable-to-Panel, 30 Position,  
Sealable, Wire & Cable, Power & Signal, DEUTSCH 38999 Series III  
Composite Connectors

[View on TE.com >](#)



Connectors > Circular Connectors > Standard Circular Connectors > Straight Plug D38999, J20 Insert



Connector System: **Cable-to-Panel**

Number of Positions: **30**

Sealable: **Yes**

Connector & Contact Terminates To: **Wire & Cable**

Contact Current Rating (Max): **43 A**

[All Straight Plug D38999, J20 Insert \(60\)](#)

## Features

### Product Type Features

Product Type	Connector
Assembly Type	Electrical Connector
Connector System	Cable-to-Panel
Sealable	Yes
Connector & Contact Terminates To	Wire & Cable
Circular Connector Type	Plug
Shell Type	Straight Plug

### Configuration Features

Keying & Polarized Position Locations	N
Factory Installed Backshell	No
Keying	Key Polarization N
Number of Positions	30
Number of Power Positions	20
Number of Signal Positions	10
Contacts Preloaded	No

### Electrical Characteristics



Voltage	1000 Vrms
---------	-----------

Operating Voltage	300 VAC
-------------------	---------

### Body Features

Feedthrough Type	No
------------------	----

Environmental Protection Type	Elastomer Sealed
-------------------------------	------------------

Entry Style	Rear Insertion
-------------	----------------

Environmental Protection	Yes
--------------------------	-----

Weight	35.7 g[.0788 lb]
--------	------------------

Fluid Type	Coolanol 25, M2-V, MIL-DTL-5624 (JP-4,JP-5), MIL-DTL-83133 (JP-8), MIL-PRF-23699, MIL-PRF-5606, MIL-PRF-7808, SEA-AMS1424 Type I
------------	--

Shell Plating Material	Electroless Nickel
------------------------	--------------------

Shell Base Material	Composite
---------------------	-----------

Circular Connector Insulation Material Type	Hard Dielectric/Silicone
---	--------------------------

Hermetically Sealed	No
---------------------	----

### Contact Features

Contact Quantity (Size 20)	10
----------------------------	----

Contact Quantity (Size 16)	13
----------------------------	----

Contact Quantity (Size 22D)	13
-----------------------------	----

Contact Quantity (Size 12 Coax)	4
---------------------------------	---

Contact Quantity (Size 8 Databus)	3
-----------------------------------	---

Contact Current Rating (Max)	43 A
------------------------------	------

Reverse Gender	No
----------------	----

Contact Layout Arrangement	J20
----------------------------	-----

Circular Connector Contact Type	Pin
---------------------------------	-----

### Mechanical Attachment

Mating Retention Type	Triple Start Threaded
-----------------------	-----------------------

Panel Mount Feature	Without
---------------------	---------

Connector Mounting Type	Panel Mount
-------------------------	-------------

Polarization Code	N
-------------------	---

Mating Alignment Type	Keyed
-----------------------	-------

Mating Retention	With
------------------	------

### Housing Features



Circular Connector Shell Size	25
Alignment Keyed	Clocking

### Dimensions

Assembly Length	31.5 mm[1.24 in]
Wire Size	5.26 – 8.37 mm <sup>2</sup>

### Usage Conditions

Fluid Resistance	Yes
Operating Temperature Range	-65 – 200 °C[-85 – 392 °F]

### Operation/Application

Durability Rating	1500 Cycles
Circuit Application	Power & Signal
Shielded	Yes

### Packaging Features

Packaging Quantity	1
--------------------	---

### Other

Position Locations Omitted	All
----------------------------	-----

## Product Compliance

[For compliance documentation, visit the product page on TE.com>](#)

EU RoHS Directive 2011/65/EU	Compliant with Exemptions
EU ELV Directive 2000/53/EC	Compliant with Exemptions
China RoHS 2 Directive MIIT Order No 32, 2016	Restricted Materials Above Threshold
EU REACH Regulation (EC) No. 1907/2006	Current ECHA Candidate List: JUNE 2022 (224) Candidate List Declared Against: JUNE 2022 (224) SVHC > Threshold: Pb (1.2% in Contact Lead-Copper Alloy) Decamethylcyclopentasiloxane (D5) (5% in Insert Assembly) <b>Article Safe Usage Statements:</b> Do not eat, drink or smoke when using this product. Wash thoroughly after handling. Recycle if possible and dispose of the article by following all applicable governmental regulations relevant to your geographic location.
Halogen Content	Not Yet Reviewed for halogen content
Solder Process Capability	Not reviewed for solder process capability

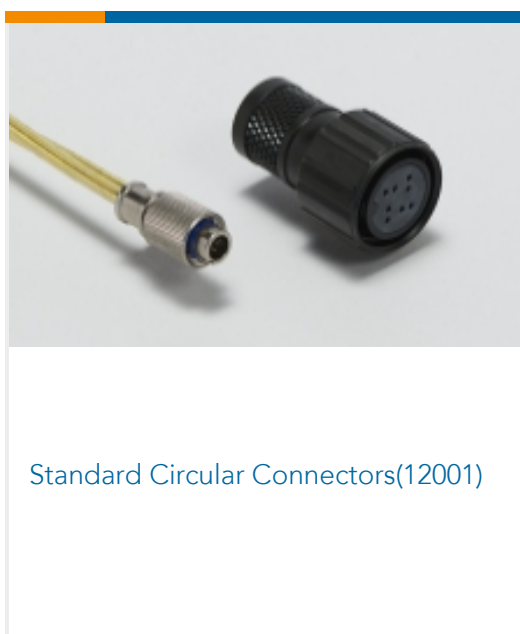
Product Compliance Disclaimer

This information is provided based on reasonable inquiry of our suppliers and represents our current actual knowledge based on the information they provided. This information is subject to change. The part numbers that TE has identified as EU RoHS compliant have a maximum concentration of 0.1% by weight in homogenous materials for lead, hexavalent chromium, mercury, PBB, PBDE, DBP, BBP, DEHP, DIBP, and 0.01% for cadmium, or qualify for an exemption to these limits as defined in the Annexes of Directive 2011/65/EU (RoHS2). Finished electrical and electronic equipment products will be CE marked as required by Directive 2011/65/EU. Components may not be CE marked. Additionally, the part numbers that TE has identified as EU ELV compliant have a maximum concentration of 0.1% by weight in homogenous materials for lead, hexavalent chromium, and mercury, and 0.01% for cadmium, or qualify for an exemption to these limits as defined in the Annexes of Directive 2000/53/EC (ELV). Regarding the REACH Regulation, the information TE provides on SVHC in articles for this part number is based on the latest European Chemicals Agency (ECHA) 'Guidance on requirements for substances in articles' posted at this URL: <https://echa.europa.eu/guidance-documents/guidance-on-reach>

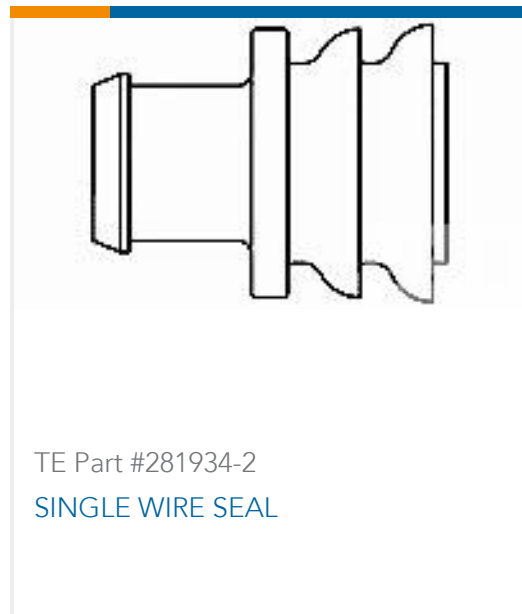
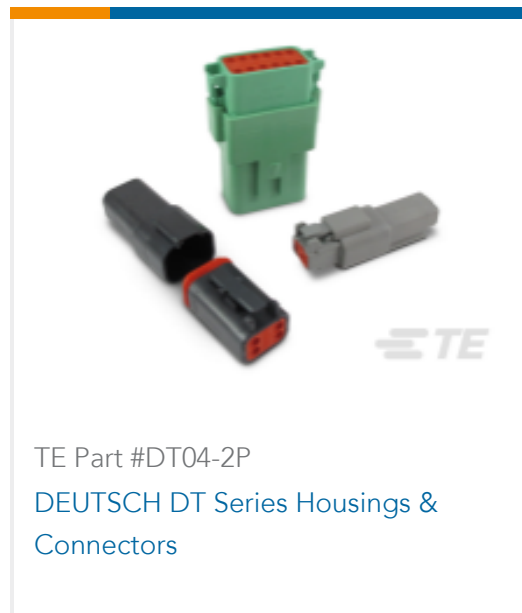
## Compatible Parts



## Also in the Series | DEUTSCH 38999 Series III Composite Connectors



## Customers Also Bought



## Documents

### Product Drawings

[STRAIGHT PLUG](#)

English

### Datasheets & Catalog Pages

[DEUTSCH MIL-DTL-38999 Connectors Quick Reference Guide](#)

English