



Rail D-Sub Backshells

TE Internal #: 2-2308350-3

D-Sub Backshells & Clamps, Crimp Barrel, Shielded, Wire & Cable, -40 – 194 °F [-40 – 90 °C], Rail D-Sub Backshells

[View on TE.com >](#)

Connectors > D-Shaped Connectors > D-Sub Accessories > D-Sub Backshells & Clamps > Crimp Barrel for D-Sub Connectors



D-Shaped Connector Accessories: **Crimp Barrel**

Shielded: **Yes**

Connector & Contact Terminates To: **Wire & Cable**

Operating Temperature Range: **-40 – 90 °C [-40 – 194 °F]**

[All Crimp Barrel for D-Sub Connectors \(22\)](#)

Features

Product Type Features

Clam Shell Length	Standard
Grommets	Without
Slide Latch	Without
Product Type	Backshell/Cable Clamp
D-Shaped Connector Accessories	Crimp Barrel
Connector & Contact Terminates To	Wire & Cable

Mechanical Attachment

Screw & Hole Thread Size	None
--------------------------	------

Usage Conditions

Operating Temperature Range	-40 – 90 °C[-40 – 194 °F]
-----------------------------	---------------------------

Operation/Application

Shielded	Yes
----------	-----

Product Compliance



[For compliance documentation, visit the product page on TE.com>](#)

EU RoHS Directive 2011/65/EU	Not Compliant
EU ELV Directive 2000/53/EC	Not Yet Reviewed
China RoHS 2 Directive MIIT Order No 32, 2016	Restricted Materials Above Threshold
EU REACH Regulation (EC) No. 1907/2006	Current ECHA Candidate List: JUNE 2022 (224) Candidate List Declared Against: JUNE 2022 (224) SVHC > Threshold: Pb (3.5% in Component Part) Article Safe Usage Statements: Do not eat, drink or smoke when using this product. Wash thoroughly after handling. Recycle if possible and dispose of the article by following all applicable governmental regulations relevant to your geographic location.
Halogen Content	Low Halogen - Br, Cl, F, I < 900 ppm per homogenous material. Also BFR/CFR/PVC Free
Solder Process Capability	Not reviewed for solder process capability

Product Compliance Disclaimer

This information is provided based on reasonable inquiry of our suppliers and represents our current actual knowledge based on the information they provided. This information is subject to change. The part numbers that TE has identified as EU RoHS compliant have a maximum concentration of 0.1% by weight in homogenous materials for lead, hexavalent chromium, mercury, PBB, PBDE, DBP, BBP, DEHP, DIBP, and 0.01% for cadmium, or qualify for an exemption to these limits as defined in the Annexes of Directive 2011/65/EU (RoHS2). Finished electrical and electronic equipment products will be CE marked as required by Directive 2011/65/EU. Components may not be CE marked. Additionally, the part numbers that TE has identified as EU ELV compliant have a maximum concentration of 0.1% by weight in homogenous materials for lead, hexavalent chromium, and mercury, and 0.01% for cadmium, or qualify for an exemption to these limits as defined in the Annexes of Directive 2000/53/EC (ELV). Regarding the REACH Regulation, the information TE provides on SVHC in articles for this part number is based on the latest European Chemicals Agency (ECHA) 'Guidance on requirements for substances in articles' posted at this URL: <https://echa.europa.eu/guidance-documents/guidance-on-reach>

Compatible Parts

 <p>TE Part # CAT-R131-F614 CRIMP FLANGE FOR SIZE 1-3STD/1-4QL SHELL</p>	 <p>TE Part # 2-2308348-3 CRIMP FLANGE 13 LARGE</p>	 <p>TE Part # 3-2823558-0 CRIMP INSERTS (BARREL ID 11.0 X OD 12.0)</p>
---	--	---

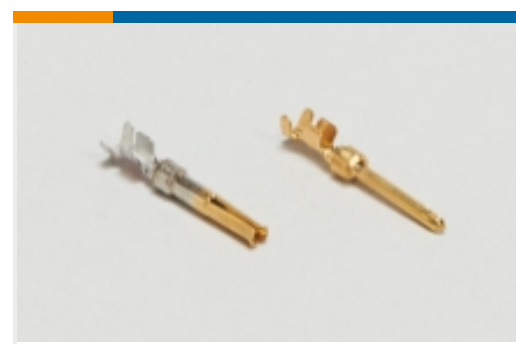
Also in the Series | [Rail D-Sub Backshells](#)



Crimp D-Sub Connectors(10)



D-Sub Backshells & Clamps(143)



D-Sub Connector Contacts(5)

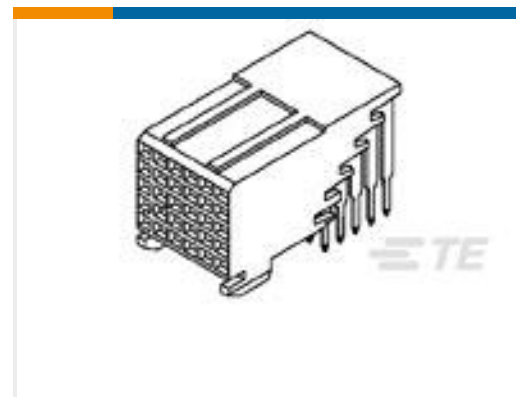
Customers Also Bought



TE Part #2-2308341-2
FULL METAL HOODS SIZE 2-12 (RAW
135 DEG)



TE Part #2-2308348-7
CRIMP FLANGE 17 LARGE



TE Part #5223008-4
FB-5R,ASY,120,SIG,REC,EN,3.55



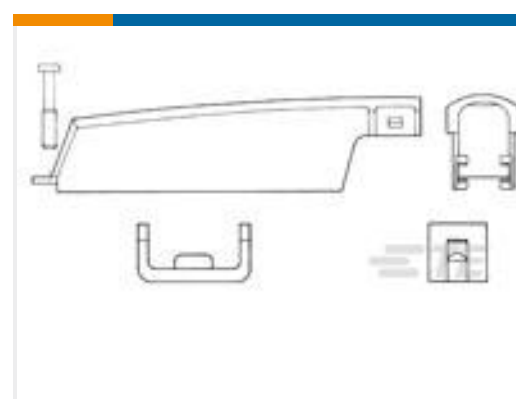
TE Part #1-1546670-6
16P.437" DR BARRIER,W/BND SCRW



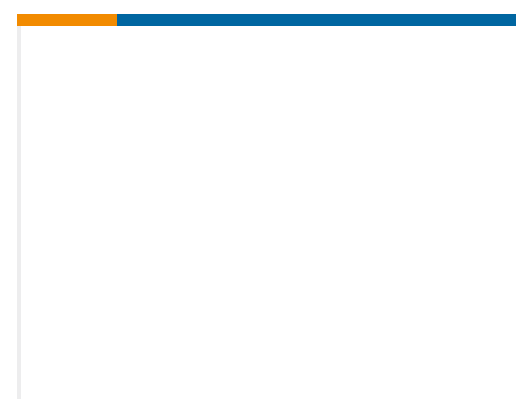
TE Part #2170806-2
CAGE ASSEMBLY, 1X2, QSFP28,
SPRING, HS



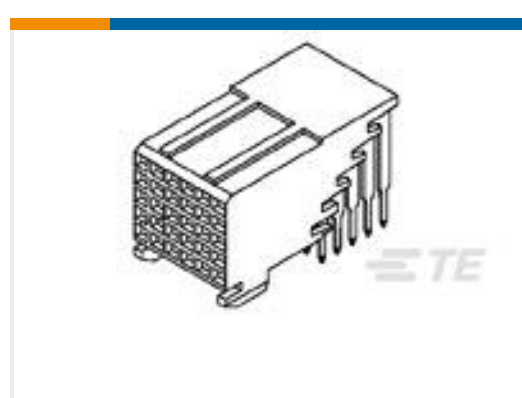
TE Part #2308171-6
ZQSFP+ CAGE& CONN 2X2, EMI
SPRING, BTB



TE Part #5552560-1
COVER KIT TAPERED 50 POS



TE Part #4-2170808-7
QSFP28, 1X2, CAGE ASSY, SPRING,
HS, LP



TE Part #5223008-5
FB-5R,ASY,150,SIG,REC,EN,3.55

Documents

Product Drawings

CRIMP BARREL13

English

CAD Files

3D PDF

3D

Customer View Model

ENG_CVM_CVM_2-2308350-3_A.2d_dxf.zip



English

Customer View Model

[ENG_CVM_CVM_2-2308350-3_A.3d_igs.zip](#)

English

Customer View Model

[ENG_CVM_CVM_2-2308350-3_A.3d_stp.zip](#)

English

By downloading the CAD file I accept and agree to the [Terms and Conditions](#) of use.

Datasheets & Catalog Pages

[Rail D-Sub Backshells Flyer](#)

English