

3-1768047-2 ✓ ACTIVE

Agastat 7000

TE Internal #: 3-1768047-2

Pre-Printed Markers, Snap-On, STD 21 Marker Size, Straight Cut, 7

Printed Marking, Black, Agastat 7000

[View on TE.com >](#)



Identification & Labeling > Pre-Printed Markers > STD Snap-On Markers



Marker Style: **Snap-On**

Marker Size: **STD 21**

Compatible Cable Diameter Range: **11 – 15.5 mm [ .433 – .61 in ]**

Marker Cut: **Straight**

Printed Marking: **7**

[All STD Snap-On Markers \(966\)](#)

## Features

### Body Features

Marker Style	Snap-On
Marker Size	STD 21

### Dimensions

Compatible Cable Diameter Range	11 – 15.5 mm [.433 – .61 in]
---------------------------------	------------------------------

### Printer/Label Features

Marker Cut	Straight
Printed Marking	7

### Packaging Features

Packaging Method	Box
Packaging Quantity	50

### Other

Printed Marking Color	Black
-----------------------	-------

## Product Compliance

[For compliance documentation, visit the product page on TE.com>](#)

EU RoHS Directive 2011/65/EU	Compliant
------------------------------	-----------



EU ELV Directive 2000/53/EC	Compliant
China RoHS 2 Directive MIIT Order No 32, 2016	No Restricted Materials Above Threshold
EU REACH Regulation (EC) No. 1907/2006	Current ECHA Candidate List: JUNE 2022 (224) Candidate List Declared Against: JUNE 2022 (224) Does not contain REACH SVHC
Halogen Content	Low Halogen - Br, Cl, F, I < 900 ppm per homogenous material. Also BFR/CFR/PVC Free
Solder Process Capability	Not applicable for solder process capability

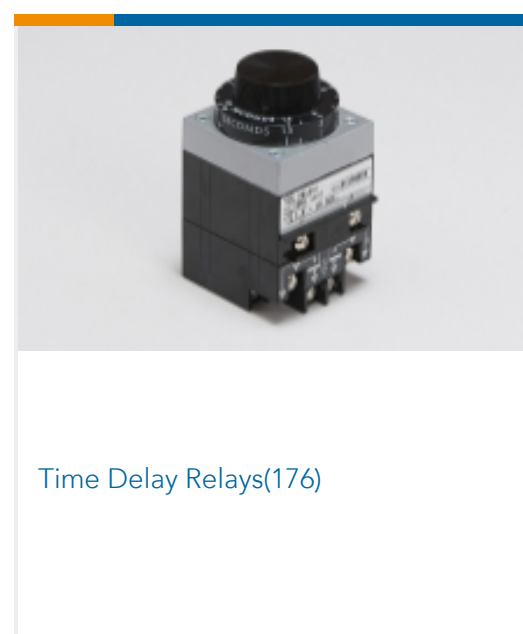
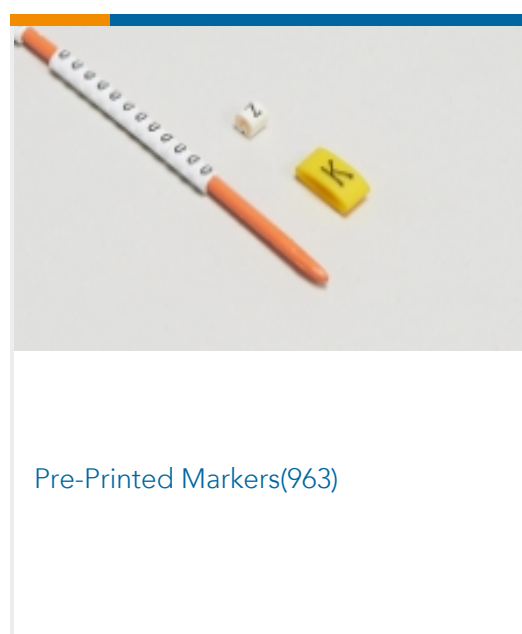
Product Compliance Disclaimer

This information is provided based on reasonable inquiry of our suppliers and represents our current actual knowledge based on the information they provided. This information is subject to change. The part numbers that TE has identified as EU RoHS compliant have a maximum concentration of 0.1% by weight in homogenous materials for lead, hexavalent chromium, mercury, PBB, PBDE, DBP, BBP, DEHP, DIBP, and 0.01% for cadmium, or qualify for an exemption to these limits as defined in the Annexes of Directive 2011/65/EU (RoHS2). Finished electrical and electronic equipment products will be CE marked as required by Directive 2011/65/EU. Components may not be CE marked. Additionally, the part numbers that TE has identified as EU ELV compliant have a maximum concentration of 0.1% by weight in homogenous materials for lead, hexavalent chromium, and mercury, and 0.01% for cadmium, or qualify for an exemption to these limits as defined in the Annexes of Directive 2000/53/EC (ELV). Regarding the REACH Regulation, the information TE provides on SVHC in articles for this part number is based on the latest European Chemicals Agency (ECHA) 'Guidance on requirements for substances in articles' posted at this URL: <https://echa.europa.eu/guidance-documents/guidance-on-reach>

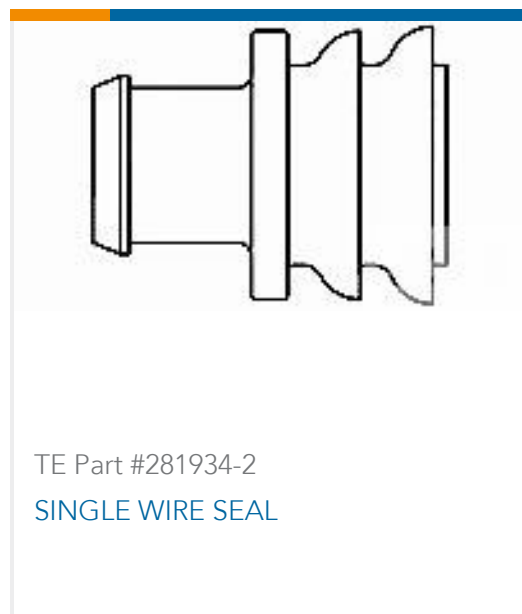
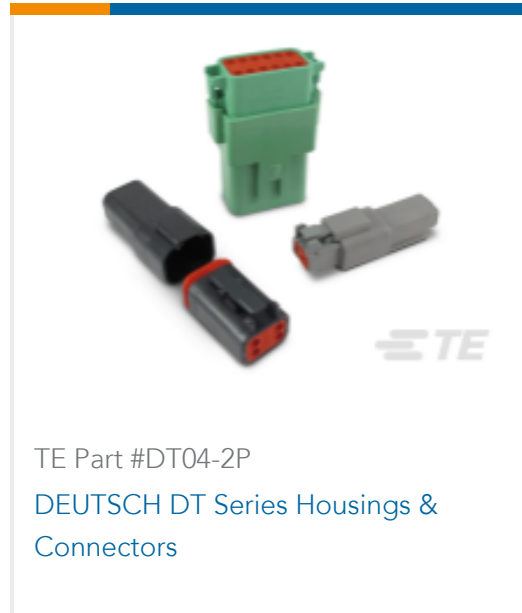
### Compatible Parts



### Also in the Series | Agastat 7000



## Customers Also Bought



## Documents

### Product Drawings

[STD21Y-7](#)

English

### Datasheets & Catalog Pages

[STD/STB-type Snap-on Pre-printed Wire & Cable Markers](#)

English

[IDENTIFICATION SELECTION GUIDE](#)

English

[STD and STB Technical Datasheet](#)

English

### Product Specifications

[RW-2538 STD and STB work instruction](#)

English