

High Voltage with Flexible Termination System (HV FT-CAP) X7R Dielectric, 500VDC-3000VDC (Commercial Grade)

Overview

KEMET's High Voltage with Flexible Termination (HV FT-CAP) surface mount MLCCs in X7R dielectric combine high voltage and flexible termination technologies. Featuring a 125°C maximum operating temperature and considered "temperature stable," these devices address the primary failure mode of MLCCs—flex cracks, which are typically the result of excessive shear stresses produced during board flexure or thermal cycling. Utilizing a conductive silver epoxy between the base metal and nickel barrier layers of KEMET's standard termination system, flexible termination technology directs board flex stress away from the ceramic body and into the termination area, therefore mitigating flex cracks which can result in low IR or short circuit failures. Although flexible termination technology does not eliminate the potential for mechanical damage that may propagate during extreme environmental and handling conditions, it does provide superior flex performance over standard termination systems.

The HV FT-CAP offers low leakage current, exhibits low ESR at high frequencies and finds conventional use as snubbers or filters in applications such as switching power supplies and lighting ballasts. Their exceptional performance at high frequencies has made them a preferred choice of design engineers worldwide. In addition to their use in power supplies, these capacitors are widely used in industries related to telecommunications, medical, military, aerospace, semiconductors and test/diagnostic equipment.

Combined with the stability of an X7R dielectric and designed to accommodate all capacitance requirements, these flex-robust devices are RoHS-compliant, offer up to 5mm of flex-bend capability and exhibit a predictable change in capacitance with respect to time and voltage. Capacitance change with reference to ambient temperature is limited to $\pm 15\%$ from -55°C to +125°C.

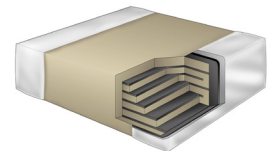
Benefits

- -55°C to +125°C operating temperature range
- Superior flex performance (up to 5mm)
- Pb-Free and RoHS compliant
- EIA 0805, 1206, 1210, 1808, 1812, 1825, 2220 and 2225 case sizes
- DC voltage ratings of 500V, 630V, 1KV, 1.5KV, 2KV, 2.5KV and 3KV
- Capacitance offerings ranging from 62pF to 0.27 μ F
- Available capacitance tolerances of $\pm 5\%$, $\pm 10\%$ or $\pm 20\%$.
- Low ESR and ESL
- Non-polar device, minimizing installation concerns
- 100% pure matte tin-plated end metallization allowing for excellent solderability
- SnPb plated end metallization option available upon request (5% min)

Applications

Typical applications include switch mode power supplies (input filters, resonators, tank circuits, snubber circuits, output filters), high voltage coupling and DC blocking, lighting ballasts, voltage multiplier circuits, DC/DC converters and coupling capacitors in Ćuk converters. Markets include power supply, LCD fluorescent backlight ballasts, HID lighting, telecom equipment, industrial and medical equipment/control, LAN/WAN interface, analog and digital modems, and automotive. X7R dielectrics are not designed for AC line filtering or pulse applications.

**HIGH VOLTAGE
 FLEXIBLE
 FT-CAP
 TERMINATION**



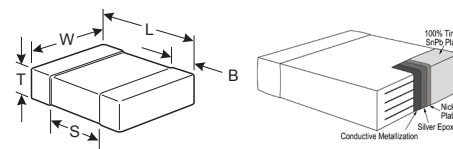
Ordering Information

C	1210	X	473	K	C	R	A	C	TU
Ceramic	Case Size (L" x W")	Specification/ Series	Capacitance Code (pF)	Capacitance Tolerance	Voltage	Dielectric	Failure Rate/ Design	End Metallization ¹	Packaging/Grade (C-Spec) ²
	0805 1206 1210 1808 1812 1825 2220 2225	X = Flexible Termination	2 Sig. Digits + Number of Zeros	J = $\pm 5\%$ K = $\pm 10\%$ M = $\pm 20\%$	C = 500V B = 630V D = 1000V F = 1500V G = 2000V Z = 2500V H = 3000V	R = X7R	A = N/A	C = 100% Matte Sn L = SnPb (5% min)	Blank = Bulk TU = 7" Reel Unmarked TM = 7" Reel Marked

¹ Additional termination options may be available. Contact KEMET for details.

² Additional reeling or packaging options may be available. Contact KEMET for details.

Dimensions – Millimeters (Inches)



EIA Size Code	Metric Size Code	L Length	W Width	B Bandwidth	T Thickness	Mounting Technique
0805	2012	2.1 (.083) ± 0.30 (.012)	1.25 (.049) ± 0.20 (.008)	0.50 (0.02) ± 0.25 (.010)	See Table 2 for Thickness	Solder Wave or Solder Reflow
1206	3216	3.3 (.130) ± 0.40 (.016)	1.60 (.063) ± 0.20 (.008)	0.60 (.024) ± 0.25 (.010)		Solder Reflow Only
1210	3225	3.3 (.130) ± 0.40 (.016)	2.50 (.098) ± 0.20 (.008)	0.60 (.024) ± 0.25 (.010)		
1808	4520	4.7 (.185) ± 0.50 (.020)	2.00 (.079) ± 0.20 (.008)	0.70 (.028) ± 0.35 (.014)		
1812	4532	4.5 (.178) ± 0.40 (.016)	3.20 (.126) ± 0.30 (.012)	0.70 (.028) ± 0.35 (.014)		
1825	4564	4.6 (.181) ± 0.40 (.016)	6.40 (.252) ± 0.40 (.016)	0.70 (.028) ± 0.35 (.014)		
2220	5650	5.9 (.232) ± 0.75 (.030)	5.00 (.197) ± 0.40 (.016)	0.70 (.028) ± 0.35 (.014)		
2225	5664	5.9 (.232) ± 0.75 (.030)	6.40 (.248) ± 0.40 (.016)	0.70 (.028) ± 0.35 (.014)		

Qualification/Certification

Commercial grade products are subject to internal qualification. Details regarding test methods and conditions are referenced in Table 4, Performance and Reliability.

Environmental Compliance

RoHS PRC (Peoples Republic of China) compliant

Electrical Parameters/Characteristics

Item	Parameters/Characteristics
Operating Temperature Range:	-55°C to +125°C
Capacitance Change with Reference to +25°C and 0 Vdc Applied (TCC):	±15%
Aging Rate (Max % Cap Loss/Decade Hour):	3.5%
Dielectric Withstanding Voltage:	150% of rated voltage for voltage rating of < 1000V 120% of rated voltage for voltage rating of ≥ 1000V
Dissipation Factor (DF) Maximum Limit @ 25°C:	2.5%
Insulation Resistance (IR) Limit @ 25°C:	1000 megohm microfarads or 100GΩ
Insulation Resistance (IR) Limit @ 125°C:	100 megohm microfarads or 10GΩ

To obtain IR limit, divide MΩ-μF value by the capacitance and compare to GΩ limit. Select the lower of the two limits.

Capacitance and Dissipation Factor (DF) measured under the following conditions:

1kHz and 1 Vrms if capacitance >1000pF

Table 1A – (0805 - 1812 Case Sizes)

Cap	Cap Code	Series			C0805					C1206					C1210					C1808						C1812						
		Voltage Code			C	B	D	C	B	D	F	G	C	B	D	F	G	C	B	D	F	G	Z	H	C	B	D	F	G	Z	H	
		Voltage VDC			500	630	1000	500	630	1000	1500	2000	500	630	1000	1500	2000	500	630	1000	1500	2000	2500	3000	500	630	1000	1500	2000	2500	3000	
		Cap Tolerance			Product Availability and Chip Thickness Codes - See Table 2 for Chip Thickness Dimensions																											
10 pF	100	J	K	M																												
11 pF	110	J	K	M																												
12 pF	120	J	K	M																												
13 pF	130	J	K	M																												
15 pF	150	J	K	M																												
16 pF	160	J	K	M																												
18 pF	180	J	K	M																												
20 pF	200	J	K	M																												
22 pF	220	J	K	M																												
24 pF	240	J	K	M																												
27 pF	270	J	K	M																												
30 pF	300	J	K	M																												
33 pF	330	J	K	M																												
36 pF	360	J	K	M																												
39 pF	390	J	K	M																												
43 pF	430	J	K	M																												
47 pF	470	J	K	M																												
51 pF	510	J	K	M																												
56 pF	560	J	K	M																												
62 pF	620	J	K	M	DG	DG	DG																									
68 pF	680	J	K	M	DG	DG	DG																									
75 pF	750	J	K	M	DG	DG	DG	EG	EG	EG	EG	EG							LB	LB	LB	LB	LB	LB	LB							
82 pF	820	J	K	M	DG	DG	DG	EG	EG	EG	EG	EG							LB	LB	LB	LB	LB	LB	LB							
91 pF	910	J	K	M	DG	DG	DG	EG	EG	EG	EG	EG							LB	LB	LB	LB	LB	LB	LB							
100 pF	101	J	K	M	DG	DG	DG	EG	EG	EG	EG	EG							LB	LB	LB	LB	LB	LB	LB							
110 pF	111	J	K	M	DG	DG	DG	EF	EF	EF	EF	EG							LB	LB	LB	LB	LB	LB	LB							
120 pF	121	J	K	M	DG	DG	DG	EF	EF	EF	EF	EG							LA	LA	LA	LA	LB	LB	LB							
130 pF	131	J	K	M	DG	DG	DG	EF	EF	EF	EF	EG	FL	FL	FL	FL	FL		LA	LA	LA	LA	LB	LB	LB							
150 pF	151	J	K	M	DG	DG	DG	EF	EF	EF	EF	EG	FL	FL	FL	FL	FL		LA	LA	LA	LA	LB	LB	LB	GK	GK	GK	GK	GK	GK	
180 pF	181	J	K	M	DG	DG	DG	EF	EF	EF	EF	EG	FL	FL	FL	FL	FL		LA	LA	LA	LA	LB	LB	LB	GK	GK	GK	GK	GK	GK	
220 pF	221	J	K	M	DG	DG	DG	EF	EF	EF	EF	EG	FL	FL	FL	FL	FL		LA	LA	LA	LA	LB	LB	LB	GK	GK	GK	GK	GK	GK	
270 pF	271	J	K	M	DG	DG	DG	EF	EF	EF	EF	EG	FL	FL	FL	FL	FL		LA	LA	LA	LA	LB	LB	LB	GK	GK	GK	GK	GK	GK	
330 pF	331	J	K	M	DG	DG	DG	EF	EF	EF	EF	EG	FL	FL	FL	FL	FL		LA	LA	LA	LA	LB	LB	LB	GK	GK	GK	GK	GK	GK	
390 pF	391	J	K	M	DG	DG	DG	EF	EF	EF	EF	EG	FL	FL	FL	FL	FL		LA	LA	LA	LA	LB	LB	LB	GK	GK	GK	GK	GK	GK	
470 pF	471	J	K	M	DG	DG	DG	EF	EF	EF	EF	EG	FL	FL	FL	FL	FL		LA	LA	LA	LA	LB	LB	LB	GK	GK	GK	GK	GK	GK	
560 pF	561	J	K	M	DG	DG	DG	EF	EF	EF	EF	EG	FL	FL	FL	FL	FL		LA	LA	LA	LA	LB	LB	LB	GK	GK	GK	GK	GK	GK	
680 pF	681	J	K	M	DG	DG	DG	EF	EF	EF	EF	EG	FL	FL	FL	FL	FL		LA	LA	LA	LA	LB	LB	LB	GK	GK	GK	GK	GK	GK	
820 pF	821	J	K	M	DG	DG	DG	EF	EF	EF	EF	EG	FL	FL	FL	FL	FL		LA	LA	LA	LA	LB	LB	LB	GK	GK	GK	GK	GK	GK	
1,000 pF	102	J	K	M	DG	DG	DG	EF	EF	EF	EF	EG	FL	FL	FL	FL	FL		LA	LA	LA	LA	LB	LB	LB	GK	GK	GK	GK	GK	GK	
1,200 pF	122	J	K	M	DG	DG	DG	EF	EF	EF	EG	EG	FL	FL	FL	FL	FM		LB	LB	LB	LB	LB	LB								
1,500 pF	152	J	K	M	DG	DG	DG	EF	EF	EF	EG	EG	FL	FL	FL	FL	FM		LA	LA	LA	LA	LB	LB	LB							
1,800 pF	182	J	K	M	DG	DG	DG	EF	EF	EF	EG	EG	FL	FL	FL	FL	FM		LA	LA	LA	LA	LB	LB	LB							
2,000 pF	202	J	K	M	DG	DG	DG	EF	EF	EF	EG	EG	FL	FL	FL	FL	FM		LA	LA	LA	LA	LB	LB	LB							
2,200 pF	222	J	K	M	DG	DG	DG	EF	EF	EF	EG	EG	FL	FL	FL	FL	FM		LA	LA	LA	LA	LB	LB	LB							
2,700 pF	272	J	K	M	DG	DG	DG	EF	EF	EF	EG	EG	FL	FL	FL	FL	FM		LA	LA	LA	LA	LB	LB	LB							
3,300 pF	332	J	K	M	DG	DG	DG	EF	EF	EF	EG		FL	FL	FL	FL	FM		LA	LA	LA	LA	LB	LB	LB							
3,900 pF	392	J	K	M	DG	UD	UD	EF	EF	EF	EG		FL	FL	FL	FL	FK		LA	LA	LA	LA	LB	LB	LB							
4,700 pF	472	J	K	M	DG	UD	UD	EF	EF	EF	EG		FL	FL	FL	FL	FK		LA	LA	LA	LA	LB	LB	LB							
5,600 pF	562	J	K	M	DG	UD	UD	EF	EF	EF			FL	FL	FL	FM			LA	LB	LB	LB	LB	LB								
6,800 pF	682	J	K	M	DG	UD	UD	EG	EG	EG			FL	FL	FL	FM			LA	LB	LB	LB	LB	LB								
8,200 pF	822	J	K	M	DG	UD	UD	EG	EG	EG			FL	FL	FL	FK			LA	LB	LB	LB	LB	LB								
10,000 pF	103	J	K	M	UD	UD	UD	EG	EG	EG			FL	FL	FL	FK			LA	LB	LB	LB	LB	LB								
12,000 pF	123	J	K	M	UD	UD	UD	EG	UD	UD			FL	FL	FL	FK			LA	LC	LC	LC	LC	LC								
15,000 pF	153	J	K	M	UD	UD	UD	EG	UD	UD			FL	FL	FL				LA	LC	LC	LC	LC	LC								
18,000 pF	183	J	K	M	UD	UD	UD	UD	UD	UD			FL	FL	FL				LA	UD	UD	UD	UD	UD								
22,000 pF	223	J	K	M	UD			UD	UD	UD			FL	FM	FM				LA	UD	UD	UD	UD	UD								
27,000 pF	273	J	K	M	UD			UD	UD	UD			FM	FK	FK				LA	UD	UD	UD	UD	UD								

UD = Under Development

SMD MLCCs – High Voltage with Flexible Termination System (HV FT-CAP), X7R Dielectric, 500VDC-3000VDC (Commercial Grade)

Table 1A con't – (0805 - 1812 Case Sizes)

Cap	Cap Code	Series	C0805					C1206					C1210					C1808						C1812													
		Voltage Code	C	B	D			C	B	D	F	G	C	B	D	F	G	C	B	D	F	G	Z	H	C	B	D	F	G	Z	H						
		Voltage VDC	500	630	1000			500	630	1000	1500	2000	500	630	1000	1500	2000	500	630	1000	1500	2000	2500	3000	500	630	1000	1500	2000	2500	3000						
		Cap Tolerance	Product Availability and Chip Thickness Codes - See Table 2 for Chip Thickness Dimensions																																		
33,000 pF	333	J K M	UD								UD	UD	UD				FM	UD	UD				LC	UD	UD						GH						
39,000 pF	393	J K M									UD	UD	UD				FK	UD	UD				LC	UD	UD						GH						
47,000 pF	473	J K M									UD	UD	UD				FK	UD	UD				LC	UD	UD						GH						
56,000 pF	563	J K M									UD						UD	UD	UD				LC	UD	UD						GH						
68,000 pF	683	J K M									UD						UD	UD	UD					UD	UD						GK						
82,000 pF	823	J K M									UD						UD	UD	UD					UD	UD						GK						
0.10 uF	104	J K M									UD						UD	UD	UD					UD	UD						GK						
0.12 uF	124	J K M									UD						UD							UD													
0.15 uF	154	J K M															UD							UD													
0.18 uF	184	J K M															UD							UD													
0.22 uF	224	J K M															UD							UD													
0.27 uF	274	J K M															UD							UD													
0.33 uF	334	J K M															UD							UD													
Cap	Cap Code	Voltage VDC	500	630	1000						500	630	1000	1500	2000	500	630	1000	1500	2000	2500	3000	500	630	1000	1500	2000	2500	3000	500	630	1000	1500	2000	2500	3000	
		Voltage Code	C	B	D						C	B	D	F	G	C	B	D	F	G	C	B	D	F	G	Z	H	C	B	D	F	G	Z	H			
		Series	C0805					C1206					C1210					C1808						C1812													

Table 1B – (1825 - 2225 Case Sizes)

Cap	Cap Code	Series	C1825							C2220							C2225																	
		Voltage Code	C	B	D	F	G	Z	H	C	B	D	F	G	Z	H	C	B	D	F	G	Z	H											
		Voltage VDC	500	630	1000	1500	2000	2500	3000	500	630	1000	1500	2000	2500	3000	500	630	1000	1500	2000	2500	3000											
		Cap Tolerance	Product Availability and Chip Thickness Codes - See Table 2 for Chip Thickness Dimensions																															
100 pF	101	J K M																																
110 pF	111	J K M																																
120 pF	121	J K M																																
130 pF	131	J K M																																
150 pF	151	J K M																																
180 pF	181	J K M																																
220 pF	221	J K M																																
270 pF	271	J K M																																
330 pF	331	J K M	HG	HG	HG	HG	HG	HG	HG	JP	JP	JP	JP	JP	JP	JP	JP																	
390 pF	391	J K M	HG	HG	HG	HG	HG	HG	HG	JP	JP	JP	JP	JP	JP	JP	JP																	
470 pF	471	J K M	HG	HG	HG	HG	HG	HG	HG	JP	JP	JP	JP	JP	JP	JP	JP	KF	KF	KF	KF	KF	KF	KF	KF	KF	KF	KF	KF	KF	KF	KF	KF	
560 pF	561	J K M	HG	HG	HG	HG	HG	HG	HG	JP	JP	JP	JP	JP	JP	JP	JP	KF	KF	KF	KF	KF	KF	KF	KF	KF	KF	KF	KF	KF	KF	KF	KF	
680 pF	681	J K M	HG	HG	HG	HG	HG	HG	HG	JP	JP	JP	JP	JP	JP	JP	JP	KF	KF	KF	KF	KF	KF	KF	KF	KF	KF	KF	KF	KF	KF	KF	KF	
820 pF	821	J K M	HG	HG	HG	HG	HG	HG	HG	JP	JP	JP	JP	JP	JP	JP	JP	KF	KF	KF	KF	KF	KF	KF	KF	KF	KF	KF	KF	KF	KF	KF	KF	
1,000 pF	102	J K M	HG	HG	HG	HG	HG	HG	HG	JP	JP	JP	JP	JP	JP	JP	JP	KF	KF	KF	KF	KF	KF	KF	KF	KF	KF	KF	KF	KF	KF	KF	KF	
1,200 pF	122	J K M	HG	HG	HG	HG	HG	HG	HG	JP	JP	JP	JP	JP	JP	JP	JP	KF	KF	KF	KF	KF	KF	KF	KF	KF	KF	KF	KF	KF	KF	KF	KF	
1,500 pF	152	J K M	HG	HG	HG	HG	HG	HG	HG	JP	JP	JP	JP	JP	JP	JP	JP	KF	KF	KF	KF	KF	KF	KF	KF	KF	KF	KF	KF	KF	KF	KF	KF	
1,800 pF	182	J K M	HE	HE	HE	HE	HE	HG	HG	JP	JP	JP	JP	JP	JP	JP	JP	KF	KF	KF	KF	KF	KF	KF	KF	KF	KF	KF	KF	KF	KF	KF	KF	
2,000 pF	202	J K M	HE	HE	HE	HE	HE	HG	HG	JE	JE	JE	JE	JE	JP	JP	JP	KF	KF	KF	KF	KF	KF	KF	KF	KF	KF	KF	KF	KF	KF	KF	KF	
2,200 pF	222	J K M	HE	HE	HE	HE	HE	HG	HG	JE	JE	JE	JE	JE	JP	JP	JP	KF	KF	KF	KF	KF	KF	KF	KF	KF	KF	KF	KF	KF	KF	KF	KF	
2,700 pF	272	J K M	HE	HE	HE	HE	HE	HG	HG	JE	JE	JE	JE	JE	JP	JP	JP	KE	KE	KE	KE	KE	KE	KF	KF	KF	KF	KF	KF	KF	KF	KF	KF	
3,300 pF	332	J K M	HE	HE	HE	HE	HE	HG	HG	JE	JE	JE	JE	JE	JP	JP	JP	KE	KE	KE	KE	KE	KE	KF	KF	KF	KF	KF	KF	KF	KF	KF	KF	
3,900 pF	392	J K M	HE	HE	HE	HE	HE			JE	JE	JE	JE	JE	JP	JP	JP	KE	KE	KE	KE	KE	KE	KF	KF	KF	KF	KF	KF	KF	KF	KF	KF	
4,700 pF	472	J K M	HE	HE	HE	HE	HE			JE	JE	JE	JE	JE	JP	JP	JP	KE	KE	KE	KE	KE	KE	KF	KF	KF	KF	KF	KF	KF	KF	KF	KF	
5,600 pF	562	J K M	HE	HE	HE	HE	HE			JE	JE	JE	JE	JE	JP	JP	JP	KE	KE	KE	KE	KE	KE	KF	KF	KF	KF	KF	KF	KF	KF	KF	KF	
6,800 pF	682	J K M	HE	HE	HE	HE	HE			JE	JE	JE	JE	JP				KE	KE	KE	KE	KE	KE	KF	KF									
Cap	Cap Code	Voltage VDC	500	630	1000	1500	2000	2500	3000	500	630	1000	1500	2000	2500	3000	500	630	1000	1500	2000	2500	3000											
		Voltage Code	C	B	D	F	G	Z	H	C	B	D	F	G	Z	H	C	B	D	F	G	Z	H											
		Series	C1825							C2220							C2225																	

UD = Under Development.

Table 1B con't – (1825 - 2225 Case Sizes)

Cap	Cap Code	Series			C1825								C2220								C2225																			
		Voltage Code			C	B	D	F	G	Z	H	C	B	D	F	G	Z	H	C	B	D	F	G	Z	H															
		Voltage VDC			500	630	1000	1500	2000	2500	3000	500	630	1000	1500	2000	2500	3000	500	630	1000	1500	2000	2500	3000															
		Cap Tolerance			Product Availability and Chip Thickness Codes - See Table 2 for Chip Thickness Dimensions																																			
8,200 pF	822	J	K	M	HE	HE	HE	HE	HE								JE	JE	JE	JE	JP									KE	KE	KE	KE	KF						
10,000 pF	103	J	K	M	HE	HE	HE	HE									JE	JE	JE	JE										KE	KE	KE	KE	KF						
12,000 pF	123	J	K	M	HE	HE	HE	HG									JE	JP	JP	JP										KE	KE	KE	KE	KF						
15,000 pF	153	J	K	M	HE	HE	HE	HG									JE	JP	JP	JP										KE	KE	KE	KE							
18,000 pF	183	J	K	M	HE	HE	HE	HG									JE	JP	JP	JP										KE	KE	KE	KE							
22,000 pF	223	J	K	M	HE	HG	HG	HG									JE	JP	JP	JP										KE	KF	KF	KF							
27,000 pF	273	J	K	M	HE	HG	HG	HG									JE	JP	JP	JP										KE	KF	KF	KF							
33,000 pF	333	J	K	M	HE	HG	HG										JE	JP	JP	JP										KE	KF	KF	KF							
39,000 pF	393	J	K	M	HE	HG	HG										JE	JP	JP											KE	KF	KF	KF							
47,000 pF	473	J	K	M	HE	HG	HG										JE	JP	JP											KE	KF	KF	KF							
56,000 pF	563	J	K	M	HE												JE													KE	KF	KF								
68,000 pF	683	J	K	M	HG												JE													KE	KF	KF								
82,000 pF	823	J	K	M	HG												JE													KE	KF	KF								
0.10 uF	104	J	K	M	HG												JE													KE										
0.12 uF	124	J	K	M	HG												JE													KE										
0.15 uF	154	J	K	M	HG												JP													KF										
0.18 uF	184	J	K	M	HG												JP													KF										
0.22 uF	224	J	K	M	HG												JP													KF										
0.27 uF	274	J	K	M																									KF											
0.33 uF	334	J	K	M																																				
0.39 uF	394	J	K	M																																				
0.47 uF	474	J	K	M																																				
0.56 uF	564	J	K	M																																				
0.68 uF	684	J	K	M																																				
0.82 uF	824	J	K	M																																				
1.0 uF	105	J	K	M																																				
1.2 uF	125	J	K	M																																				
1.5 uF	155	J	K	M																																				
1.8 uF	185	J	K	M																																				
2.2 uF	225	J	K	M																																				
2.7 uF	275	J	K	M																																				
3.3 uF	335	J	K	M																																				
Cap	Cap Code	Voltage VDC			500	630	1000	1500	2000	2500	3000	500	630	1000	1500	2000	2500	3000	500	630	1000	1500	2000	2500	3000															
		Voltage Code			C	B	D	F	G	Z	H	C	B	D	F	G	Z	H	C	B	D	F	G	Z	H															
		Series			C1825								C2220								C2225																			

Table 2 – Chip Thickness / Packaging Quantities

Thickness Code	Chip Size	Thickness ± Range (mm)	Qty per Reel 7" Plastic	Qty per Reel 13" Plastic	Qty per Reel 7" Paper	Qty per Reel 13" Paper	Qty per Bulk Cassette
AA	01005	0.20 ± 0.02			15000		
AB	0201	0.30 ± 0.03			15000		
BB	0402	0.50 ± 0.05			10000	50000	50000
CB	0603	0.80 ± 0.07			4000	10000	15000
CC	0603	0.80 ± 0.10			4000	10000	
CD	0603	0.80 ± 0.15			4000	10000	
DC	0805	0.78 ± 0.10			4000	10000	
DD	0805	0.90 ± 0.10			4000	10000	
DL	0805	0.95 ± 0.10	4000	10000			
DE	0805	1.00 ± 0.10	2500	10000			
DF	0805	1.10 ± 0.10	2500	10000			
DG	0805	1.25 ± 0.15	2500	10000			
DH	0805	1.25 ± 0.20	2500	10000			
EB	1206	0.78 ± 0.10	4000	10000	4000	10000	
EK	1206	0.80 ± 0.10	2000	8000			
EC	1206	0.90 ± 0.10	4000	10000			
EN	1206	0.95 ± 0.10	4000	10000			
ED	1206	1.00 ± 0.10	2500	10000			
EE	1206	1.10 ± 0.10	2500	10000			
EF	1206	1.20 ± 0.15	2500	10000			
EM	1206	1.25 ± 0.15	2500	10000			
EG	1206	1.60 ± 0.15	2000	8000			
EH	1206	1.60 ± 0.20	2000	8000			
EJ	1206	1.70 ± 0.20	2000	8000			
FB	1210	0.78 ± 0.10	4000	10000			
FC	1210	0.90 ± 0.10	4000	10000			
FD	1210	0.95 ± 0.10	4000	10000			
FE	1210	1.00 ± 0.10	2500	10000			
FF	1210	1.10 ± 0.10	2500	10000			
FG	1210	1.25 ± 0.15	2500	10000			
FL	1210	1.40 ± 0.15	2000	8000			
FO	1210	1.50 ± 0.20	2000	8000			
FH	1210	1.55 ± 0.15	2000	8000			
FP	1210	1.60 ± 0.20	2000	8000			
FM	1210	1.70 ± 0.20	2000	8000			
FJ	1210	1.85 ± 0.20	2000	8000			
FN	1210	1.85 ± 0.20	2000	8000			
FT	1210	1.90 ± 0.20	1500	4000			
FK	1210	2.10 ± 0.20	2000	8000			
FR	1210	2.25 ± 0.20	2000	8000			
FS	1210	2.50 ± 0.20	1000	4000			
PA	1220	0.80 ± 0.10	4000	10000			
MA	1632	0.80 ± 0.10	4000	10000			
NA	1706	0.90 ± 0.10	4000	10000			
NA	1706	0.90 ± 0.10	4000	10000			
LD	1808	0.90 ± 0.10	2500	10000			
LA	1808	1.40 ± 0.15	1000	4000			
LB	1808	1.60 ± 0.15	1000	4000			
LC	1808	2.00 ± 0.15	1000	4000			
GB	1812	1.00 ± 0.10	1000	4000			
GC	1812	1.10 ± 0.10	1000	4000			
GD	1812	1.25 ± 0.15	1000	4000			
GE	1812	1.30 ± 0.10	1000	4000			
GH	1812	1.40 ± 0.15	1000	4000			
GF	1812	1.50 ± 0.10	1000	4000			
GG	1812	1.55 ± 0.10	1000	4000			
GK	1812	1.60 ± 0.20	1000	4000			
GJ	1812	1.70 ± 0.15	1000	4000			
GN	1812	1.70 ± 0.20	1000	4000			
GL	1812	1.90 ± 0.20	1000	4000			
GM	1812	2.00 ± 0.20	1000	4000			
GO	1812	2.50 ± 0.20	500	2000			
HB	1825	1.10 ± 0.15	1000	4000			
HC	1825	1.15 ± 0.15	1000	4000			
HD	1825	1.30 ± 0.15	1000	4000			
HE	1825	1.40 ± 0.15	1000	4000			
HF	1825	1.50 ± 0.15	1000	4000			
HG	1825	1.60 ± 0.20	1000	4000			
JB	2220	1.00 ± 0.15	1000	4000			
JC	2220	1.10 ± 0.15	1000	4000			
JD	2220	1.30 ± 0.15	1000	4000			
JE	2220	1.40 ± 0.15	1000	4000			
JF	2220	1.50 ± 0.15	1000	4000			
JP	2220	1.60 ± 0.20	1000	4000			
JG	2220	1.70 ± 0.15	1000	4000			
JH	2220	1.80 ± 0.15	1000	4000			
JO	2220	2.40 ± 0.15	500	2000			
KB	2225	1.00 ± 0.15	1000	4000			
KC	2225	1.10 ± 0.15	1000	4000			
KD	2225	1.30 ± 0.15	1000	4000			
KE	2225	1.40 ± 0.15	1000	4000			
KF	2225	1.60 ± 0.20	1000	4000			

Package Quantity
 Based on Finished Chip
 Thickness Specifications

Soldering Process

Recommended Soldering Technique:

- Solder wave or solder reflow for case sizes 1206 and less
- Case sizes 1210 and greater are limited to solder reflow only

Recommended Soldering Profile

- KEMET recommends following the guidelines outlined in IPC/JEDEC J-STD-020D.1

Table 3 – Chip Capacitor Land Pattern Design Recommendations per IPC-7351 (mm)

EIA Size Code	Metric Size Code	Density Level A: Maximum (Most) Land Protrusion (mm)					Density Level B: Median (Nominal) Land Protrusion (mm)					Density Level C: Minimum (Least) Land Protrusion (mm)				
		C	Y	X	V1	V2	C	Y	X	V1	V2	C	Y	X	V1	V2
0603	1608	0.85	1.25	1.10	4.00	2.10	0.75	1.05	1.00	3.10	1.50	0.65	0.85	0.90	2.40	1.20
0805	2012	1.05	1.45	1.55	4.60	2.60	0.95	1.25	1.45	3.70	2.00	0.85	1.05	1.35	3.00	1.70
1206	3216	1.60	1.65	1.90	5.90	2.90	1.50	1.45	1.80	5.00	2.30	1.40	1.25	1.70	4.30	2.00
1210	3225	1.60	1.65	2.80	5.90	3.80	1.50	1.45	2.70	5.00	3.20	1.40	1.25	2.60	4.30	2.90
1808	4520	2.25	1.85	2.30	7.40	3.30	2.15	1.65	2.20	6.50	2.70	2.05	1.45	2.10	5.80	2.40
1812	4532	2.10	1.80	3.60	7.00	4.60	2.00	1.60	3.50	6.10	4.00	1.90	1.40	3.40	5.40	3.70
1825	4564	2.15	1.80	6.90	7.10	7.90	2.05	1.60	6.80	6.20	7.30	1.95	1.40	6.70	5.50	7.00
2220	5650	2.85	2.10	5.50	8.80	6.50	2.75	1.90	5.40	7.90	5.90	2.65	1.70	5.30	7.20	5.60
2225	5664	2.85	2.10	6.90	8.80	7.90	2.75	1.90	6.80	7.90	7.30	2.65	1.70	6.70	7.20	7.00

Density Level A: For low-density Product applications. Recommended for wave solder applications and provides a wider process window for reflow solder processes. KEMET only recommends wave soldering of EIA 0603, 0805 and 1206 case sizes.

Density Level B: For products with a moderate level of component density. Provides a robust solder attachment condition for reflow solder processes.

Density Level C: For high component density product applications. Before adapting the minimum land pattern variations the user should perform qualification testing based on the conditions outlined in IPC standard 7351 (IPC-7351).

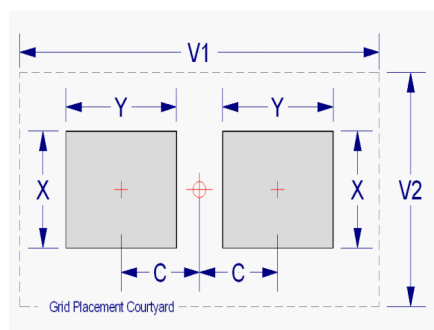


Table 4 – Performance & Reliability: Test Methods and Conditions

Stress	Reference	Test or Inspection Method
Ripple Current	"Heat Generation ΔT : 20°C max."	"Reflow solder the capacitor onto a PC board and apply voltage with 10kHz~1Mhz sine curve. (Ripple voltage must be < rated voltage)"
Terminal Strength	JIS-C-6429	Appendix 1, Note: Force of 1.8kg for 60 seconds.
Board Flex	JIS-C-6429	Appendix 2, Note: 2mm (min) for all except 3mm for C0G.
Solderability	J-STD-002	Magnification 50X. Conditions:
		a) Method B, 4 hrs @ 155°C, dry heat @ 235°C
		b) Method B @ 215°C category 3
		c) Method D, category 3 @ 260°C
Temperature Cycling	JESD22 Method JA-104	1000 Cycles (-55°C to +125°C), Measurement at 24 hrs. +/- 2 hrs after test conclusion.
Biased Humidity	MIL-STD-202 Method 103	Load Humidity: 1000 hours 85°C/85%RH and 300VDC Max. Add 100K ohm resistor. Measurement at 24 hrs. +/- 2 hrs after test conclusion.
		Low Volt Humidity: 1000 hours 85°C/85%RH and 1.5V. Add 100K ohm resistor. Measurement at 24 hrs. +/- 2 hrs after test conclusion.
Moisture Resistance	MIL-STD-202 Method 106	t = 24 hours/cycle. Steps 7a & 7b not required. Unpowered. Measurement at 24 hrs. +/- 2 hrs after test conclusion.
Thermal Shock	MIL-STD-202 Method 107	-55°C/+125°C. Note: Number of cycles required-300, Maximum transfer time-20 seconds, Dwell time-15 minutes. Air-Air.
High Temperature Life	MIL-STD-202 Method 108	1000 hours at 125°C (85°C for X5R, Z5U and Y5V) with rated voltage applied.
Storage Life	MIL-STD-202 Method 108	150°C, 0VDC, for 1000 Hours.
Mechanical Shock	MIL-STD-202 Method 213	Figure 1 of Method 213, Condition F.
Resistance to Solvents	MIL-STD-202 Method 215	Add Aqueous wash chemical - OKEM Clean or equivalent.

Tape & Reel Packaging Information

KEMET offers Multilayer Ceramic Chip Capacitors packaged in 8mm, 12mm and 16mm tape on 7" and 13" reels in accordance with EIA standard 481. This packaging system is compatible with all tape fed automatic pick and place systems. See Table 2 for details on reeling quantities for commercial chips.

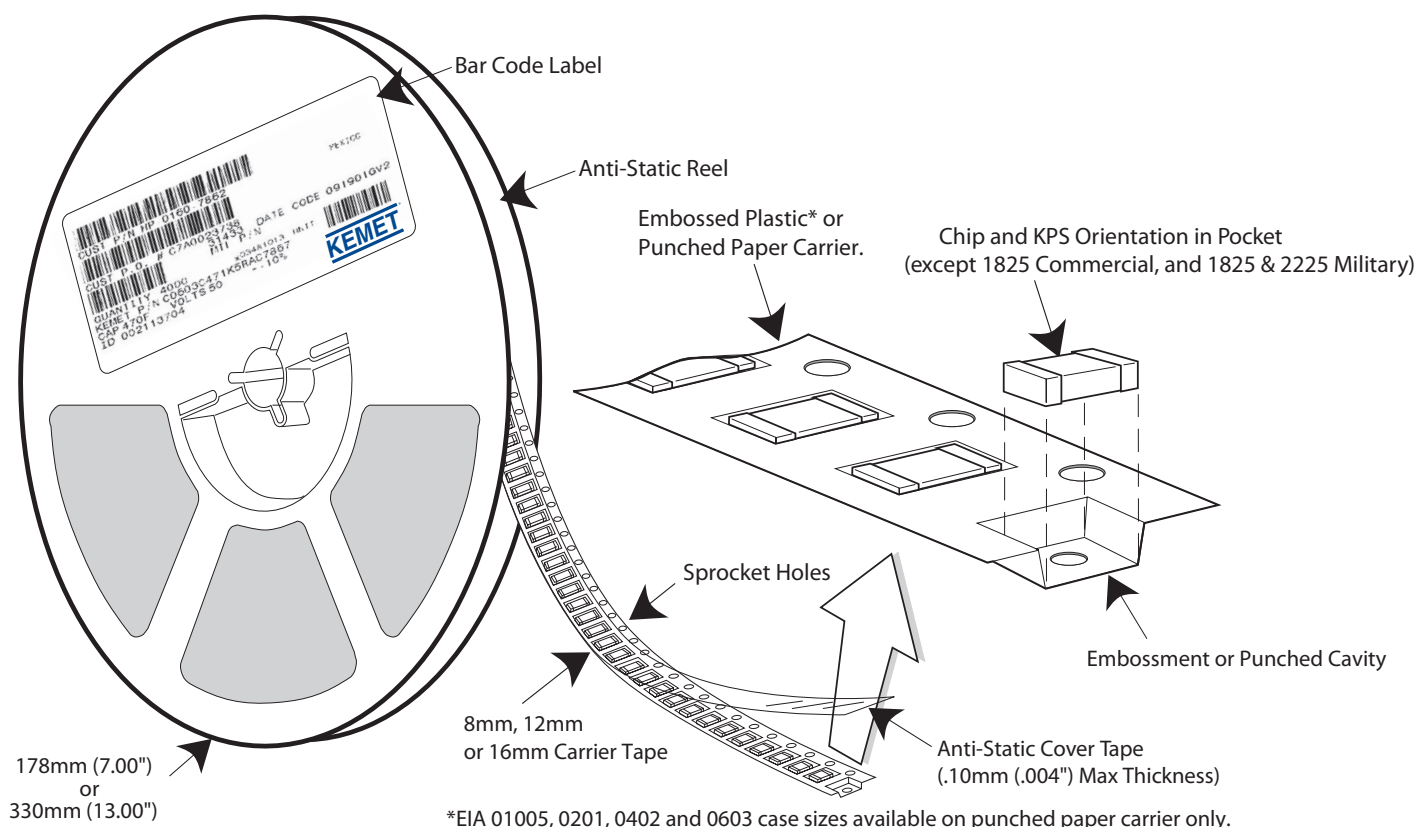


Table 5 – Carrier Tape Configuration (mm)

EIA Case Size	Tape size (W)*	Pitch (P ₁)*
01005 - 0402	8	2
0603 - 1210	8	4
1805 - 1808	12	4
≥ 1812	12	8
KPS 1210	12	8
KPS 1812 & 2220	16	12
Array 0508 & 0612	8	4

*Refer to Figure 1 for W and P₁ carrier tape reference locations.

*Refer to Table 6 for tolerance specifications.

Figure 1 – Embossed (Plastic) Carrier Tape Dimensions

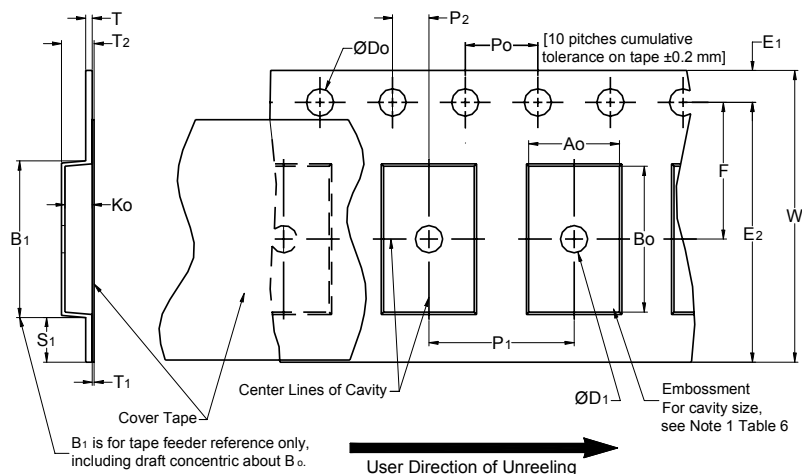


Table 6 – Embossed (Plastic) Carrier Tape Dimensions

Metric will govern

Constant Dimensions — Millimeters (Inches)									
Tape Size	D ₀	D ₁ Min. Note 1	E ₁	P ₀	P ₂	R Ref. Note 2	S ₁ Min. Note 3	T Max.	T ₁ Max.
8mm	1.5 +0.10/-0.0 (0.059 +0.004/-0.0)	1.0 (0.039)	1.75 ± 0.10 (0.069 ± 0.004)	4.0 ± 0.10 (0.157 ± 0.004)	2.0 ± 0.05 (0.079 ± 0.002)	25.0 (0.984)	0.600 (0.024)	0.600 (0.024)	0.100 (0.004)
12mm		1.5 (0.059)							
16mm									
Variable Dimensions — Millimeters (Inches)									
Tape Size	Pitch	B ₁ Max. Note 4	E ₂ Min.	F	P ₁	T ₂ Max	W Max	A ₀ , B ₀ & K ₀	
8mm	Single (4mm)	4.35 (0.171)	6.25 (0.246)	3.5 ± 0.05 (0.138 ± 0.002)	4.0 ± 0.10 (0.157 ± 0.004)	2.5 (0.098)	8.3 (0.327)	Note 5	
12mm	Single (4mm) & Double (8mm)	8.2 (0.323)	10.25 (0.404)	5.5 ± 0.05 (0.217 ± 0.002)	8.0 ± 0.10 (0.315 ± 0.004)	4.6 (0.181)	12.3 (0.484)		
16mm	Triple (12mm)	12.1 (0.476)	14.25 (0.561)	5.5 ± 0.05 (0.217 ± 0.002)	8.0 ± 0.10 (0.315 ± 0.004)	4.6 (0.181)	16.3 (0.642)		

- The embossment hole location shall be measured from the sprocket hole controlling the location of the embossment. Dimensions of embossment location and hole location shall be applied independent of each other.
- The tape with or without components shall pass around R without damage (see Figure 5).
- If $S_1 < 1.0$ mm, there may not be enough area for cover tape to be properly applied (see EIA Document 481 paragraph 4.3 (b)).
- B₁ dimension is a reference dimension for tape feeder clearance only.
- The cavity defined by A₀, B₀ and K₀ shall surround the component with sufficient clearance that:
 - the component does not protrude above the top surface of the carrier tape.
 - the component can be removed from the cavity in a vertical direction without mechanical restriction, after the top cover tape has been removed.
 - rotation of the component is limited to 20° maximum for 8 and 12mm tapes and 10° maximum for 16mm tapes (see Figure 3).
 - lateral movement of the component is restricted to 0.5 mm maximum for 8mm and 12mm wide tape and to 1.0mm maximum for 16mm tape (see Figure 4).
 - for KPS Series product A₀ and B₀ are measured on a plane 0.3mm above the bottom of the pocket.
 - see Addendum in EIA Document 481 for standards relating to more precise taping requirements.

Figure 2 – Punched (Paper) Carrier Tape Dimensions

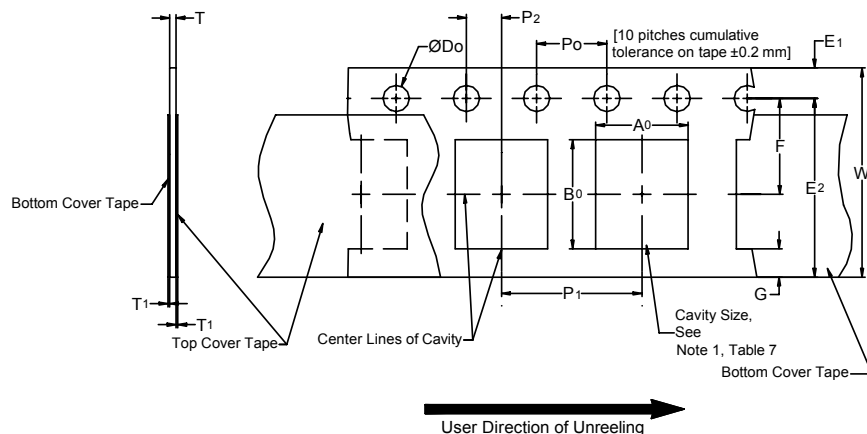


Table 7 – Punched (Paper) Carrier Tape Dimensions

Metric will govern

Constant Dimensions — Millimeters (Inches)							
Tape Size	D_0	E_1	P_0	P_2	T_1 Max	G Min	R Ref. Note 2
8mm	$1.5 +0.10-0.0$ (0.059 +0.004, -0.0)	1.75 ± 0.10 (0.069 ±0.004)	4.0 ± 0.10 (0.157 ±0.004)	2.0 ± 0.05 (0.079 ±0.002)	0.10 (.004) Max.	0.75 (.030)	25 (.984)
Variable Dimensions — Millimeters (Inches)							
Tape Size	Pitch	E_2 Min	F	P_1	T Max	W Max	$A_0 B_0$
8mm	Half (2mm)	6.25 (0.246)	3.5 ± 0.05 (0.138 ± 0.002)	2.0 ± 0.05 (0.079 ± 0.002)	1.1 (0.098)	8.3 (0.327)	Note 5
8mm	Single (4mm)			4.0 ± 0.10 (0.157 ± 0.004)			

- The cavity defined by A_0 , B_0 and T shall surround the component with sufficient clearance that:
 - the component does not protrude beyond either surface of the carrier tape.
 - the component can be removed from the cavity in a vertical direction without mechanical restriction, after the top cover tape has been removed.
 - lateral movement of the component is restricted to 0.5 mm maximum (see Figure 4).
 - see Addendum in EIA Document 481 for standards relating to more precise taping requirements.
- The tape with or without components shall pass around R without damage (see Figure 5).

Packaging Information Performance Notes

1. **Cover Tape Break Force:** 1.0 Kg Minimum.
2. **Cover Tape Peel Strength:** The total peel strength of the cover tape from the carrier tape shall be:

Tape Width	Peel Strength
8mm	0.1 Newton to 1.0 Newton (10g to 100g)
12mm & 16mm	0.1 Newton to 1.3 Newton (10g to 130g)

The direction of the pull shall be opposite the direction of the carrier tape travel. The pull angle of the carrier tape shall be 165° to 180° from the plane of the carrier tape. During peeling, the carrier and/or cover tape shall be pulled at a velocity of 300±10 mm/minute.

3. **Labeling:** Bar code labeling (standard or custom) shall be on the side of the reel opposite the sprocket holes. Refer to EIA-556 and EIA-624.

Figure 3 – Maximum Component Rotation

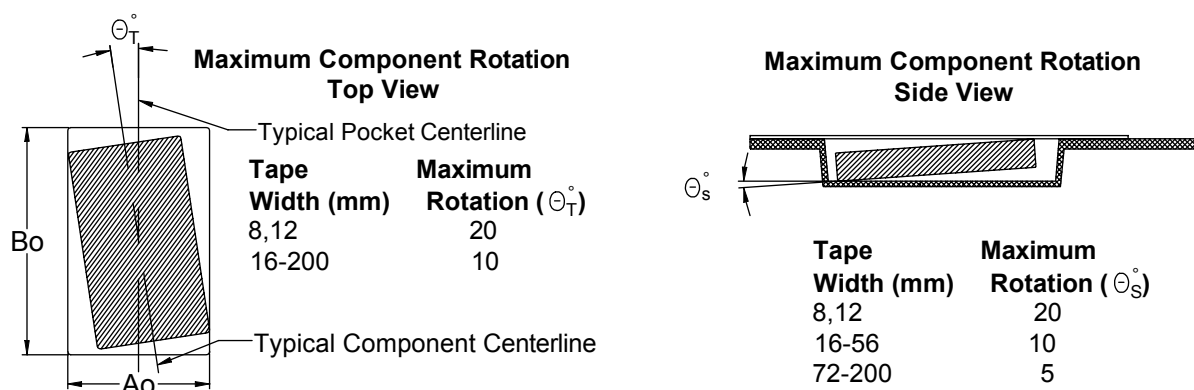


Figure 4 – Maximum Lateral Movement

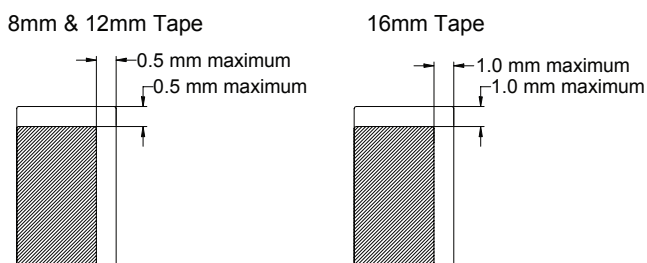


Figure 5 – Bending Radius

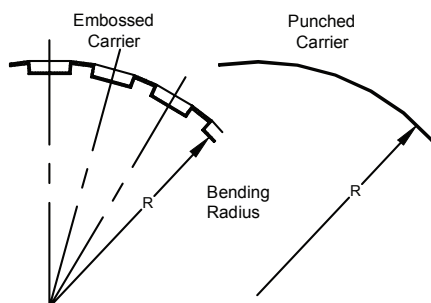
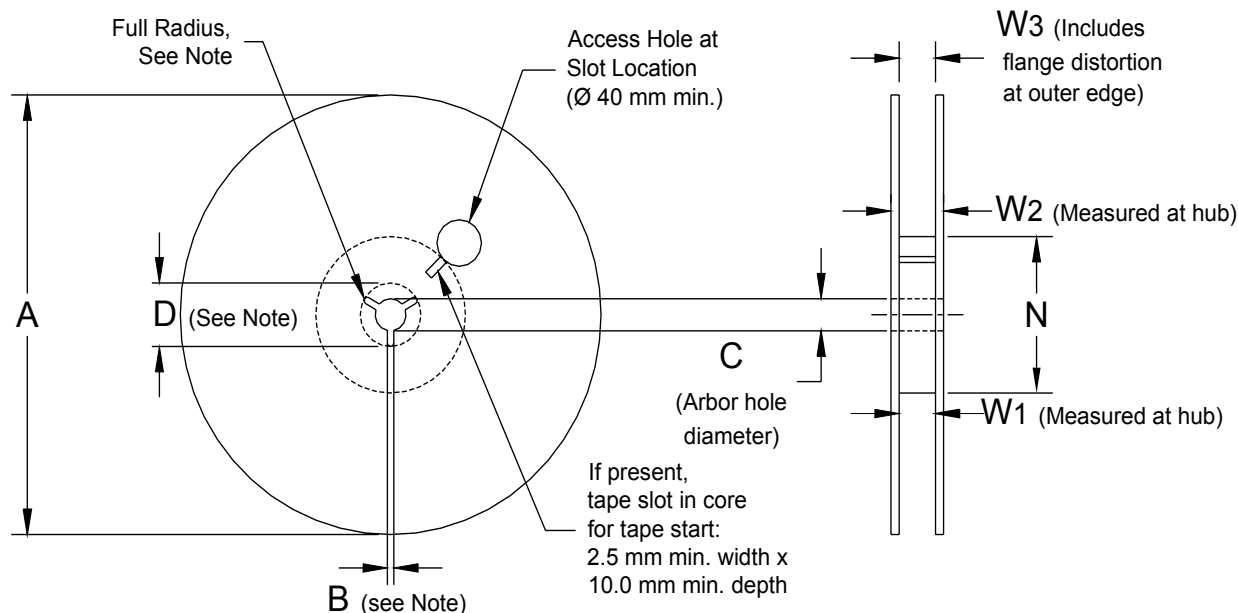


Figure 6 – Reel Dimensions



Note: Drive spokes optional; if used, dimensions B and D shall apply.

Table 8 – Reel Dimensions

Metric Dimensions Will Govern

Constant Dimensions — Millimeters (Inches)				
Tape Size	A	B Min	C	D Min
8mm	178 ± 0.20 (7.008 ± 0.008)	1.5 (0.059)	13.0 +0.5/-0.2 (0.521 +0.02/-0.008)	20.2 (0.795)
12mm	or			
16mm	330 ± 0.20 (13.000 ± 0.008)			
Variable Dimensions — Millimeters (Inches)				
Tape Size	N Min	W ₁	W ₂ Max	W ₃
8mm	50 (1.969)	8.4 +1.5/-0.0 (0.331 +0.059/-0.0)	14.4 (0.567)	Shall accommodate tape width without interference
12mm		12.4 +2.0/-0.0 (0.488 +0.078/-0.0)	18.4 (0.724)	
16mm		16.4 +2.0/-0.0 (0.646 +0.078/-0.0)	22.4 (0.882)	

Figure 7 – Tape Leader & Trailer Dimensions

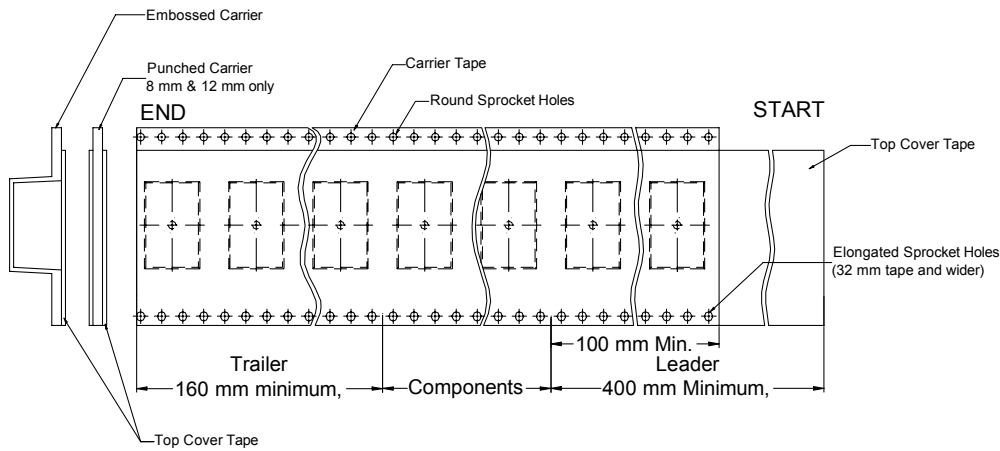


Figure 8 – Maximum Camber

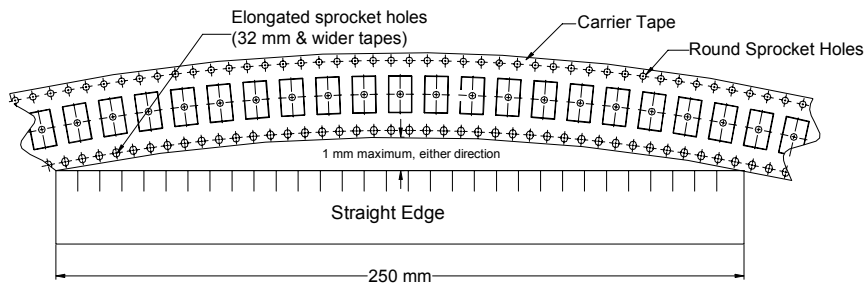


Figure 9 – Bulk Cassette Packaging (Ceramic Chips Only)

Meets Dimensional Requirements IEC-286 and EIAJ 7201

Unit mm *Reference

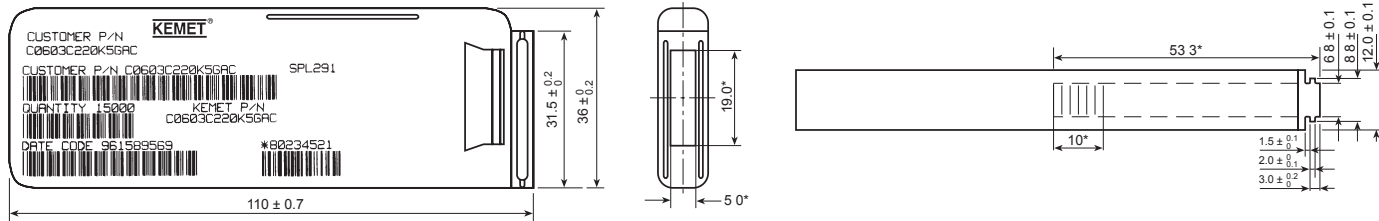


Table 9 – Capacitor Dimensions for Bulk Cassette

Cassette Packaging – Millimeters

EIA Size Code	Metric Size Code	L Length	W Width	B Bandwidth	S Separation minimum	T Thickness	Number of Pcs/Cassette
0402	1005	1.0 ± 0.05	0.5 ± 0.05	0.2 to 0.4	0.3	0.5 ± .05	50,000
0603	1608	1.6 ± 0.07	0.8 ± 0.07	0.2 to 0.5	0.7	0.8 ± .07	15,000

Table 10 – Capacitor Marking

Laser marking is available as an extra-cost option for most KEMET ceramic chips. Such marking is two sided, and includes a K to identify KEMET, followed by two characters (per EIA-198) to identify the capacitance value. Note that marking is not available for any Y5V chip. In addition, the 0603 marking option is limited to the K only. (Marking Optional – Not Available for 0402 Size)

Numeral Alpha Character	Capacitance (pF) For Various Numeral Identifiers									
	9	0	1	2	3	4	5	6	7	
A	0.1	1	10	100	1000	10000	100000	1000000	10000000	
B	0.11	1.1	11	110	1100	11000	110000	1100000	11000000	
C	0.12	1.2	12	120	1200	12000	120000	1200000	12000000	
D	0.13	1.3	13	130	1300	13000	130000	1300000	13000000	
E	0.15	1.5	15	150	1500	15000	150000	1500000	15000000	
F	0.16	1.6	16	160	1600	16000	160000	1600000	16000000	
G	0.18	1.8	18	180	1800	18000	180000	1800000	18000000	
H	0.2	2	20	200	2000	20000	200000	2000000	20000000	
J	0.22	2.2	22	220	2200	22000	220000	2200000	22000000	
K	0.24	2.4	24	240	2400	24000	240000	2400000	24000000	
L	0.27	2.7	27	270	2700	27000	270000	2700000	27000000	
M	0.3	3	30	300	3000	30000	300000	3000000	30000000	
N	0.33	3.3	33	330	3300	33000	330000	3300000	33000000	
P	0.36	3.6	36	360	3600	36000	360000	3600000	36000000	
Q	0.39	3.9	39	390	3900	39000	390000	3900000	39000000	
R	0.43	4.3	43	430	4300	43000	430000	4300000	43000000	
S	0.47	4.7	47	470	4700	47000	470000	4700000	47000000	
T	0.51	5.1	51	510	5100	51000	510000	5100000	51000000	
U	0.56	5.6	56	560	5600	56000	560000	5600000	56000000	
V	0.62	6.2	62	620	6200	62000	620000	6200000	62000000	
W	0.68	6.8	68	680	6800	68000	680000	6800000	68000000	
X	0.75	7.5	75	750	7500	75000	750000	7500000	75000000	
Y	0.82	8.2	82	820	8200	82000	820000	8200000	82000000	
Z	0.91	9.1	91	910	9100	91000	910000	9100000	91000000	
a	0.25	2.5	25	250	2500	25000	250000	2500000	25000000	
b	0.35	3.5	35	350	3500	35000	350000	3500000	35000000	
d	0.4	4	40	400	4000	40000	400000	4000000	40000000	
e	0.45	4.5	45	450	4500	45000	450000	4500000	45000000	
f	0.5	5	50	500	5000	50000	500000	5000000	50000000	
m	0.6	6	60	600	6000	60000	600000	6000000	60000000	
n	0.7	7	70	700	7000	70000	700000	7000000	70000000	
t	0.8	8	80	800	8000	80000	800000	8000000	80000000	
y	0.9	9	90	900	9000	90000	900000	9000000	90000000	



Example shown is 1,000 pF capacitor

Other KEMET Resources

Tools	
Resource	Location
Configure A Part: CapEdge	http://capacitoredge.kemet.com
SPICE & FIT Software	http://www.kemet.com/spice
Search Our FAQs: KnowledgeEdge	http://www.kemet.com/keask

Product Information	
Resource	Location
Products	http://www.kemet.com/products
Technical Resources (Including Soldering Techniques)	http://www.kemet.com/technicalpapers
RoHS Statement	http://www.kemet.com/rohs
Quality Documents	http://www.kemet.com/qualitydocuments

Product Request	
Resource	Location
Sample Request	http://www.kemet.com/sample
Engineering Kit Request	http://www.kemet.com/kits

Contact	
Resource	Location
Website	www.kemet.com
Contact Us	http://www.kemet.com/contact
Investor Relations	http://www.kemet.com/ir
Call Us	1-877-MyKEMET
Twitter	http://twitter.com/kemetcapacitors

Disclaimer

All product specifications, statements, information and data (collectively, the "Information") are subject to change without notice.

All Information given herein is believed to be accurate and reliable, but is presented without guarantee, warranty, or responsibility of any kind, expressed or implied.

Statements of suitability for certain applications are based on our knowledge of typical operating conditions for such applications, but are not intended to constitute – and we specifically disclaim – any warranty concerning suitability for a specific customer application or use. This Information is intended for use only by customers who have the requisite experience and capability to determine the correct products for their application. Any technical advice inferred from this Information or otherwise provided by us with reference to the use of our products is given gratis, and we assume no obligation or liability for the advice given or results obtained.

Although we design and manufacture our products to the most stringent quality and safety standards, given the current state of the art, isolated component failures may still occur. Accordingly, customer applications which require a high degree of reliability or safety should employ suitable designs or other safeguards (such as installation of protective circuitry or redundancies) in order to ensure that the failure of an electrical component does not result in a risk of personal injury or property damage.

Although all product-related warnings, cautions and notes must be observed, the customer should not assume that all safety measures are indicated or that other measures may not be required.

KEMET Corporation World Headquarters

P.O. Box 5928
 Greenville, SC 29606
 2835 KEMET Way
 Simpsonville, SC 29681
 www.kemet.com
 Tel: 864-963-6300
 Fax: 864-963-6521

North America

Corporate Offices

101 NE Third Avenue
 Tower 101, Suite 1700
 Fort Lauderdale, FL 33301
 Tel: 954-766-2800
 Fax: 954-766-2805

Southeast

801 International Parkway, Suite 5070
 Lake Mary, FL 32746
 Tel: 407-855-8886

Northeast

340-X Fordham Road
 Wilmington, MA 01887
 Tel: 978-658-1663
 Fax: 978-658-1790

Central

1900 North Roselle Road, Suite 405
 Schaumburg, IL 60195
 Tel: 847-882-3590
 Fax: 847-882-3046

West

1551 McCarthy Boulevard, Suite 117
 Milpitas, CA 95035
 Tel: 408-433-9946
 Fax: 408-433-9946

Mexico

Tezozomoc No. 47
 Col. Ciudad del Sol
 Zapopan, Jalisco C.P. 45050
 Mexico
 Tel: 52-33-3123-2141
 Fax: 52-33-3123-2144

Europe

Southern Europe

15bis chemin des Mines, 4th floor
 1202 Geneva
 Switzerland
 Tel: 41-22-715-0100
 Fax: 41-22-715-0170

Zac Paris Rive Gauche
 118-122 avenue de France
 75013 Paris
 France
 Tel: 33-1-4646-1009
 Fax: 33-1-4646-1599

Via San Lorenzo 19
 Sasso Marconi, BO
 40037
 Italy
 Tel: 39-051-939111
 Fax: 39-051-840684

Viale Milanofiori 1
 Palazzo E1
 20090 Assago
 Milano
 Italy
 Tel: 39-02-57518176
 Fax: 39-02-57512093

Central Europe

Hermann-Koehl-Str. 2
 Landsberg am Lech
 86899 Germany
 Tel: 49-8191-3350800
 Fax: 49-8191-3350990

Ruhrallee 9
 Dortmund
 44139 Germany
 Tel: 49-2307-3619672
 Fax: 49-2307-961527

Northern Europe

Unit 1, Ducketts Wharf
 South Street
 Bishops Stortford
 Hertfordshire CM23 3AL
 United Kingdom
 Tel: 44-1279-757201
 Fax: 44-1279-465237

20-21 Cumberland Drive
 Granby Industrial Estate
 Weymouth, Dorset DT4 9TE
 United Kingdom
 Tel: 44-1305-830747
 Fax: 44-1305-760670

Thörnblads Väg 6
 Färjestaden 386 90
 Sweden
 Tel: 46-485-563934
 Fax: 46-485-563938

Stella Business Park
 Lars Sonckin kaari 16
 Espoo 02600
 Finland
 Tel: 358-9-5406-5000
 Fax: 358-9-5406-5010

Asia

Northeast Asia

30 Canton Road, Room 1512
 Silvercord Tower II
 Tsimshatshui, Kowloon
 Hong Kong
 Tel: 852-2305-1168
 Fax: 852-2759-0345

Room 1411, 14/F New China
 Insurance Edifice
 Mintian Road, CBD Futian District
 Shenzhen 518001
 China
 Tel: 1-867-55-25181306
 Fax: 1-867-55-25181307

Floor 17, Tower B, Ping An IFC
 No.1-3 Xin Yuan South Road
 Chao Yang District
 Beijing 100027
 China
 Tel: 86-10-5829-1711
 Fax: 86-10-5829-1963

Room 2602, Grand Gateway Tower 1
 No.1 Hong Qiao Road
 Shanghai 200030
 China
 Tel: 86-21-6447-0707
 Fax: 86-21-6447-0070

Room 305, Floor 3, #142
 Sec. 4, Chung Hsiao East Road
 Taipei 106
 Taiwan ROC
 Tel: 886-2-27528585
 Fax: 886-2-27213129

Southeast Asia

73 Bukit Timah Road
 #05-01 Rex House
 229832 Singapore
 Tel: 65-6586-1900
 Fax: 65-6586-1901

1-5-20 Krystal Point 2
 Lebu Bukit Kecil 6
 11900 Bayan Baru
 Penang
 Malaysia
 Tel: 6-04-6430200
 Fax: 6-04-6444220

Office No. 605, 6th Floor
 Barton Centre M.G. Road
 Bangalore 560 001
 India
 Tel: 91-80-653-76817
 Fax: 91-80-2532-0160

Note: KEMET reserves the right to modify minor details of internal and external construction at any time in the interest of product improvement. KEMET does not assume any responsibility for infringement that might result from the use of KEMET Capacitors in potential circuit designs. KEMET is a registered trademark of KEMET Electronics Corporation.