

CGPT-1.6/0.8-5-SP ✓ ACTIVE

RAYCHEM | RAYCHEM CGPT

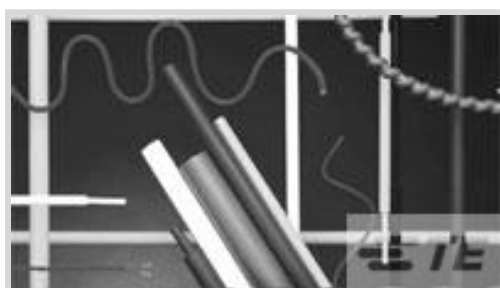
TE Internal #: 5437294003

Heat Shrink Tubing, Green, Single Wall, .062 in [1.6 mm] Expanded Inside, .031 in [.8 mm] Recovered Inside, 2:1 Shrink Ratio, RAYCHEM CGPT

[View on TE.com >](#)



Heat Shrink Tubing > Single Wall CGPT Spool Heat Shrink Tubin



Primary Product Color: **Green**

Wall Type: **Single**

Expanded Inside Diameter (Min): **1.6 mm [.062 in]**

Recovered Inside Diameter (Max): **.8 mm [.031 in]**

Shrink Ratio: **2:1**

[All Single Wall CGPT Spool Heat Shrink Tubin \(186\)](#)

Features

Product Type Features

Product Family	CGPT
Wall Type	Single

Electrical Characteristics

Voltage (Max)	.6 kV
---------------	-------

Body Features

Fluid Type	Gasoline, Hydraulic Fluid, Lubricating Oil, Water
Primary Product Color	Green
Shrink Ratio	2:1
Primary Product Material	Irradiated Modified Polyolefin
Flexibility	Flexible

Dimensions

Recovered Wall Thickness (Tolerance)	.12 mm[.005 in]
Recovered Wall Thickness (Nominal)	.45 mm[.018 in]
Expanded Inside Diameter (Min)	1.6 mm[.062 in]
Recovered Inside Diameter (Max)	.8 mm[.031 in]
Heat Shrink Tubing Size Range	.8 – 1.6 mm[.031 – .062 in]



Usage Conditions

Shrink Temperature (Min)	80 °C
Fluid Resistance	Splash Protection
Heat Shrink Tubing Flammability	Flame-Retardant
Operating Temperature Range	-40 – 135 °C
Heat Shrink Tubing Resistance	Fluids, Mechanical Damage, Strain Relief
Recovery Temperature	120 °C

Product Availability

Applicable Region	Asia, EMEA
-------------------	------------

Packaging Features

Packaging Method	Reel
------------------	------

Other

Meets Low Outgassing Requirements	No
Product Source	Czech Republic

Product Compliance

[For compliance documentation, visit the product page on TE.com>](#)

EU RoHS Directive 2011/65/EU	Compliant
EU ELV Directive 2000/53/EC	Compliant
China RoHS 2 Directive MIIT Order No 32, 2016	No Restricted Materials Above Threshold
EU REACH Regulation (EC) No. 1907/2006	Current ECHA Candidate List: JUNE 2022 (224) Candidate List Declared Against: JUNE 2022 (224) Does not contain REACH SVHC
Halogen Content	Not Low Halogen - contains Br or Cl > 900 ppm.
Solder Process Capability	Not applicable for solder process capability

Product Compliance Disclaimer

This information is provided based on reasonable inquiry of our suppliers and represents our current actual knowledge based on the information they provided. This information is subject to change. The part numbers that TE has identified as EU RoHS compliant have a maximum concentration of 0.1% by weight in homogenous materials for lead, hexavalent chromium, mercury, PBB, PBDE, DBP, BBP, DEHP, DIBP, and 0.01% for cadmium, or qualify for an exemption to these limits as defined in the Annexes of Directive 2011/65/EU (RoHS2). Finished electrical and electronic equipment products will be CE marked as required by Directive 2011/65/EU. Components may not be CE marked. Additionally, the part numbers that TE has identified as EU ELV compliant have a maximum concentration of 0.1% by weight in homogenous materials for lead, hexavalent chromium, and mercury, and 0.01% for cadmium, or qualify for an exemption to these limits as defined in the Annexes of Directive 2000/53/EC (ELV). Regarding the REACH Regulation, the information TE provides



on SVHC in articles for this part number is based on the latest European Chemicals Agency (ECHA) 'Guidance on requirements for substances in articles' posted at this URL: <https://echa.europa.eu/guidance-documents/guidance-on-reach>

Compatible Parts

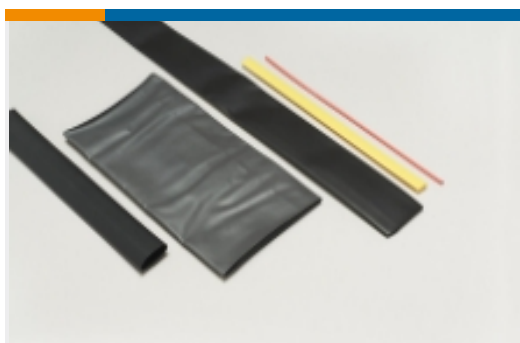


TE Part # CJ2087-000
HL2010E-KIT-120V



TE Part # EG1114-000
CV1981-ST-230V1600W-EU

Also in the Series | RAYCHEM CGPT

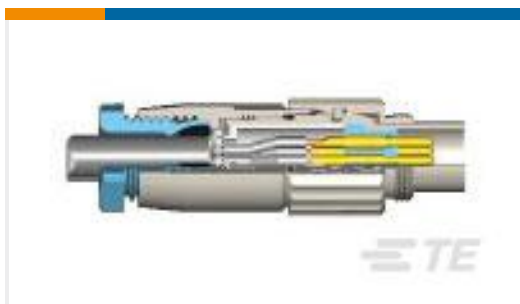


Heat Shrink Tubing(338)



Power Cable Tubing & Accessories(93)

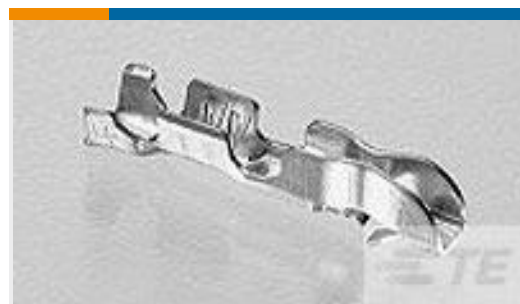
Customers Also Bought



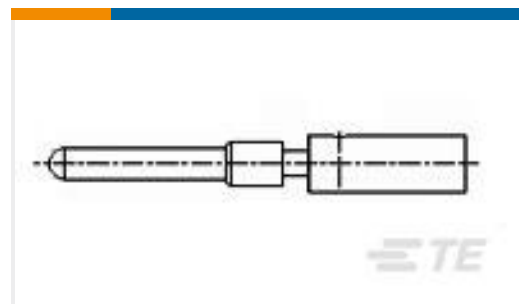
TE Part #1-1437719-1
T01-0540-P03-MALE PLUG
CONNECTOR-CRIMP



TE Part #926302-3
10P UN-MNL STECKGEH



TE Part #170205-3
EIS CONTACT LP



TE Part #5-1437720-4
T01-CRIMP-P03



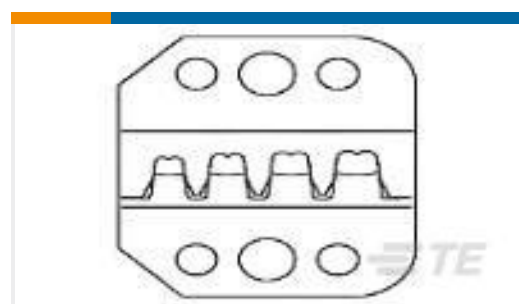
TE Part #5068154005
Single Wall CGPT Spool Heat Shrink
Tubin



TE Part #1670720-6
SLIDE,TAB HSG GROUP C



TE Part #0201602004
RNF-3000-1.5/0.5-7-STK



TE Part #58514-2
PROCRIMP DIE MR26-18



Documents

Product Drawings

[CGPT-1.6/0.8-5-SP](#)

English

Datasheets & Catalog Pages

[CGPT Pages from 9-1773447-9](#)

English

[Measuring_Single_Wall_Tubing](#)

English

[Selecting_Correct_Tubing](#)

English

Product Specifications

[Quality Specification](#)

English