

CV21254001 ✓ ACTIVE

RAYCHEM | RAYCHEM RW-175-E

TE Internal #: CV21254001

Heat Shrink Tubing, Clear, Single Wall, .063 in [1.6 mm] Expanded Inside, .031 in [.8 mm] Recovered Inside, 2:1 Shrink Ratio, RAYCHEM RW-175-E

[View on TE.com >](#)



Heat Shrink Tubing



Primary Product Color: **Clear**

Wall Type: **Single**

Expanded Inside Diameter (Min): **1.6 mm [.063 in]**

Recovered Inside Diameter (Max): **.8 mm [.031 in]**

Shrink Ratio: **2:1**

Features

Product Type Features

Product Family	RW-175
Wall Type	Single

Electrical Characteristics

Voltage (Max)	.6 kV
---------------	-------

Body Features

Fluid Type	Anti-Icing Fluid, Aviation Fuel, Cleaning Solvents, Hydraulic Fluid, Lubricating Oil, Water
Primary Product Color	Clear
Shrink Ratio	2:1
Primary Product Material	Crosslinked Polyvinylidene Fluoride
Flexibility	Semi-Rigid

Dimensions

Recovered Wall Thickness (Tolerance)	.25 mm[.01 in]
Recovered Wall Thickness (Nominal)	.25 mm[.01 in]
Expanded Inside Diameter (Min)	1.6 mm[.063 in]
Recovered Inside Diameter (Max)	.8 mm[.031 in]
Heat Shrink Tubing Size Range	.8 – 1.6 mm[.031 – .063 in]

Usage Conditions



Shrink Temperature (Min)	155 °C
Fluid Resistance	Splash Protection
Heat Shrink Tubing Flammability	Highly Flame-Retardant
Operating Temperature Range	-55 – 175 °C
Heat Shrink Tubing Resistance	Abrasion, Cut-Through, Fluids, Mechanical Damage, Strain Relief
Recovery Temperature	175 °C

Product Availability

Applicable Region	Global
-------------------	--------

Packaging Features

Packaging Method	Reel
------------------	------

Other

Meets Low Outgassing Requirements	No
Product Source	Czech Republic

Product Compliance

[For compliance documentation, visit the product page on TE.com>](#)

EU RoHS Directive 2011/65/EU	Compliant
EU ELV Directive 2000/53/EC	Compliant
China RoHS 2 Directive MIIT Order No 32, 2016	No Restricted Materials Above Threshold
EU REACH Regulation (EC) No. 1907/2006	Current ECHA Candidate List: JUNE 2022 (224) Candidate List Declared Against: JAN 2022 (223) Does not contain REACH SVHC
Halogen Content	Not Low Halogen - contains Br or Cl > 900 ppm.
Solder Process Capability	Not reviewed for solder process capability

Product Compliance Disclaimer

This information is provided based on reasonable inquiry of our suppliers and represents our current actual knowledge based on the information they provided. This information is subject to change. The part numbers that TE has identified as EU RoHS compliant have a maximum concentration of 0.1% by weight in homogenous materials for lead, hexavalent chromium, mercury, PBB, PBDE, DBP, BBP, DEHP, DIBP, and 0.01% for cadmium, or qualify for an exemption to these limits as defined in the Annexes of Directive 2011/65/EU (RoHS2). Finished electrical and electronic equipment products will be CE marked as required by Directive 2011/65/EU. Components may not be CE marked. Additionally, the part numbers that TE has identified as EU ELV compliant have a maximum concentration of 0.1% by weight in homogenous materials for lead, hexavalent chromium, and mercury, and 0.01% for cadmium, or qualify for an exemption to these limits as defined in the Annexes of Directive 2000/53/EC (ELV). Regarding the REACH Regulation, the information TE provides on SVHC in articles for this part number is based on the latest European Chemicals Agency (ECHA) 'Guidance on



requirements for substances in articles' posted at this URL: <https://echa.europa.eu/guidance-documents/guidance-on-reach>

Compatible Parts

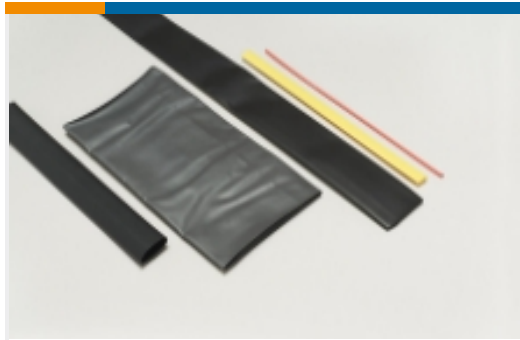


TE Part # CJ2087-000
HL2010E-KIT-120V



TE Part # EG1114-000
CV1981-ST-230V1600W-EU

Also in the Series | RAYCHEM RW-175-E

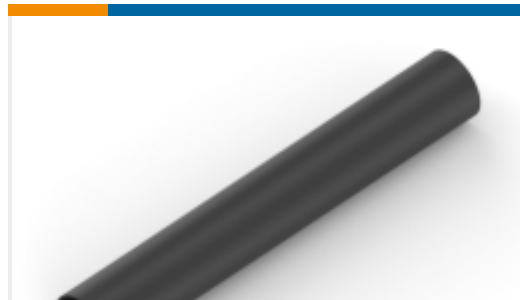


Heat Shrink Tubing(26)

Customers Also Bought



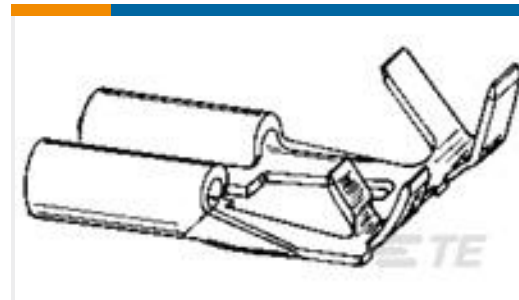
TE Part #4036954002
Single Wall CGPT Spool Heat Shrink Tubin



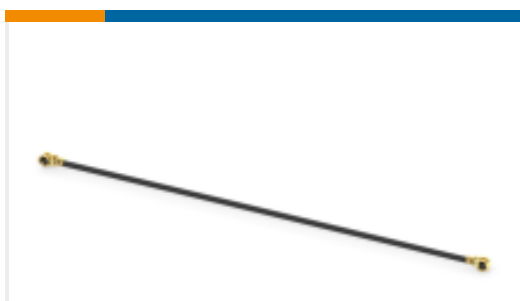
TE Part #5039582014
TPEM-NR8-0-STK



TE Part #CV3267-000
RW-175-3/32-X-SP



TE Part #180422-2
FF 312 REC 1-2.5MM2 TPBR LP



TE Part #2410329-2
RF CA,UMCC GEN1-GEN1,1.37MM CABLE,L100MM



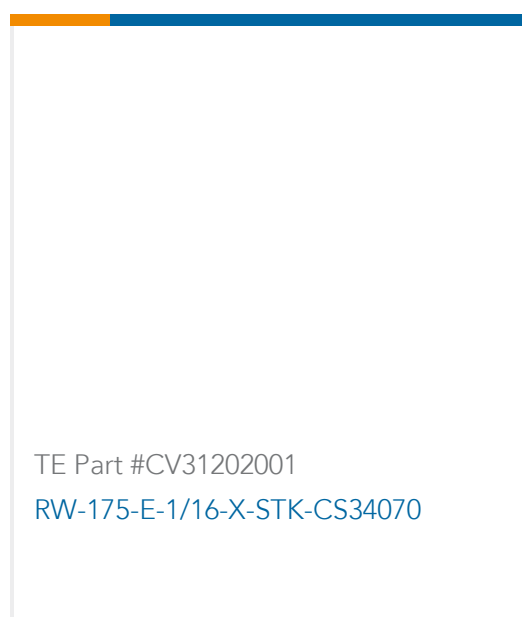
TE Part #NB16934001
VERSAFIT-3/64-0-SP



TE Part #CW5505-000
SHF260-0113-6-9



TE Part #NB16544001
RW-175-3/32-0-SP



Documents

Datasheets & Catalog Pages

[Measuring_Single_Wall_Tubing](#)

English

[Selecting_Correct_Tubing](#)

English

[1-1773730-1 RW-175-E Heat-Shrinkable Tubing Flyer](#)

English

Product Specifications

[Quality Specification](#)

English