



KISSLING HIGH PERFORMANCE BI-STABLE RELAYS

Series 26 / 500A | 1000A - from TE Connectivity (TE)

KISSLING 26 series bi-stable relays feature high shock and vibration resistance predominantly from careful design and an optimized magnetic circuit. This relay series is well suited for various applications in severe commercial and military applications.

The permanent magnetic holding of contact state requires no power and therefore no coil heat generation takes place. To protect the coil, the relay has an internal shutoff function whereby a continuous signal / pulse will be prevented to the coil. The robust design of our bi-stable high power relays fulfills the environmental sealing protection level of IP67 and IP6K9K (steam pressure cleaning). Relays from this series are available in either 500 Amps or 1000 Amps.

Other important advantages are low heat generation in the contact area based on low contact voltage drop, a compact design, no holding current, silver alloy contact material and the use of mechanical and high thermal stability insulating compounds. Both the terminals and housing are corrosion resistant.

Features

- Sealed housing conforms to IP6K9K / IP67
- Mechanical life tested for 50.000/100.000 mechanical cycles
- 30G shock & 10G vibration resistant
- Military grade performance
- Low heat generation in the contact area
- Meets the requirements of MIL-R-6106
- VG 96928 approval

Applications

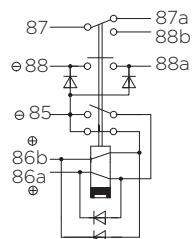
- Truck
- Bus
- Ground support vehicles
- Construction and agricultural vehicles
- Military

Circuits

NO-Contact with polarity protection

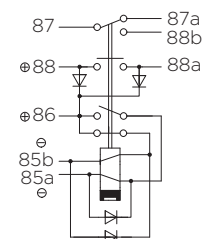
com (-) with polarity protection diode

PN: 26.02.30 / 26.05.30



com (+) with polarity protection diode

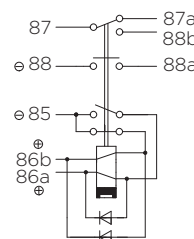
PN: 26.02.31 / 26.05.31



NO-Contact without polarity protection

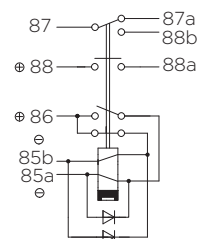
com (-) without polarity protection diode

PN: 26.02.32 / 26.05.32



com (+) without polarity protection diode

PN: 26.02.33 / 26.05.33



SERIES 26

500A/1000A

Specification

| Technical Data | 500A | 1000A |
|--------------------------------------|---|---|
| Temperature range | -40°C to +85°C | -40°C to +85°C |
| Max. Altitude rating | 50.000 ft | 50.000 ft |
| Protection | IEC 60529 & DIN 40050-9 / IP67 (0,2 bar - 1min.) & IP6K9K | |
| Shock | 30G -11msec | 50G - 11msec |
| Vibration | 10G (10-2000Hz) | 20G (10-2000Hz) |
| Acceleration | 15G | 15G |
| Thread sizes / Torque | M4 = 2.0-2.2Nm | M4 = 2.0-2.2Nm |
| Electrical Characteristics | 500A | 1000A |
| Min. Insulation Resistance | 100MΩ | 100MΩ |
| After llve or environmental | 50MΩ | 50MΩ |
| Dielectric withstanding voltage | 1050VAC / 1min at 50Hz | 1050VAC / 1min at 50Hz |
| Max. Contact drop, initial | 150mV | 150mV |
| Contact drop after life test | 175mV | 175mV |
| Continuous current | 500A | 1000A |
| Overload | 4000A - 1 sec / 2000A - 20sec | 4000A - 1sec / 2000A - 120sec |
| Rated contact load (24/28VDC) | 500A | 1000A |
| Resistive load | 50.000 cycles - 500A | 10.000 cycles - 1000A |
| Mechanical Life | 100.000 cycles | 50.000 cycles |
| Aux. contact contin. current | 2A | 16A |
| Aux. contact make & break | 2A | 16A |
| Coil Data (24/28VDC) | 500A | 1000A |
| Voltage range | 18-32VDC | 18-32VDC |
| Nominal voltage | 24VDC | 24VDC |
| Pick up voltage max. | ≥ 13VDC | ≥ 13VDC |
| Drop out voltage min. | ≥ 10VDC | ≥ 8VDC |
| Pull in coil resistance | 3.3Ω ± 10% | 1.0Ω ± 8% |
| Pull in current approx. | 7.3A | 20A |
| Drop out coil resistance | 3.23Ω ± 10% | 1.3Ω ± 8% |
| Drop out current approx. | 7.4A | 15A |
| Operating times NO-Contact | 500A | 1000A |
| Operate | max. 30msec | max. 60msec |
| Bounce | max. 5msec | max. 5msec |
| Release | max. 25msec | max. 40msec |
| Wire section | min. 240mm ² / 0,372 sq.inch / MCM500 | min. 2 x 240mm ² / 0,775 sq.inch / MCM1000 |

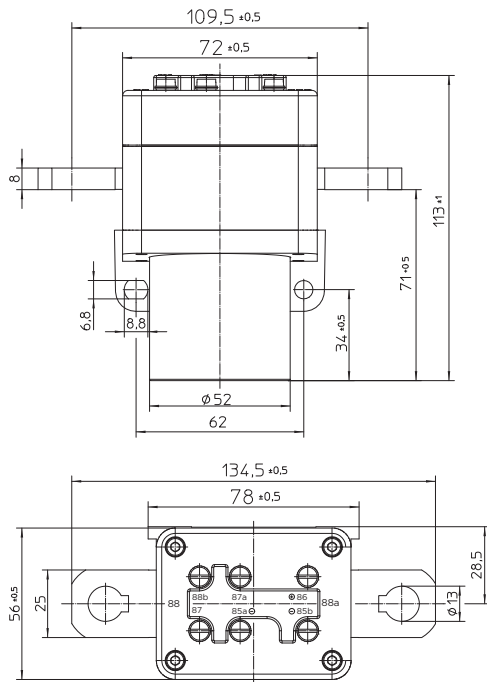
SERIES 26

500A/1000A

Technical drawings

500A

Side mounting NO-contact with auxiliaries



500A

Metric version

com (-) with polarity protection 26.05.30

com (-) without polarity protection 26.05.32

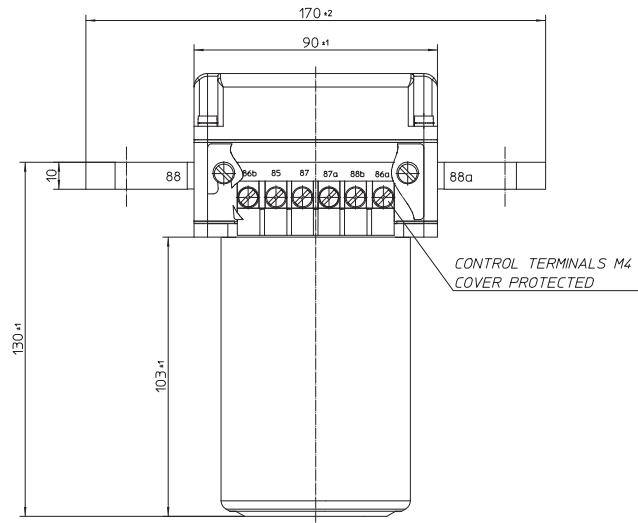
500A

Metric version

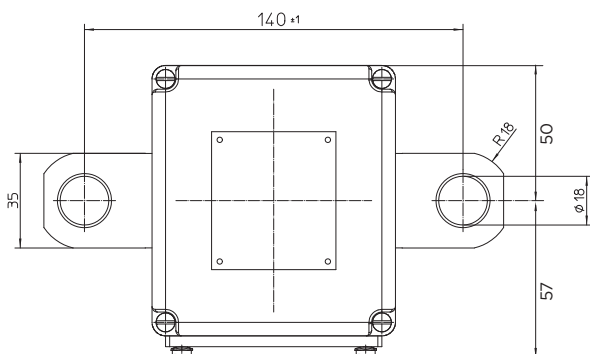
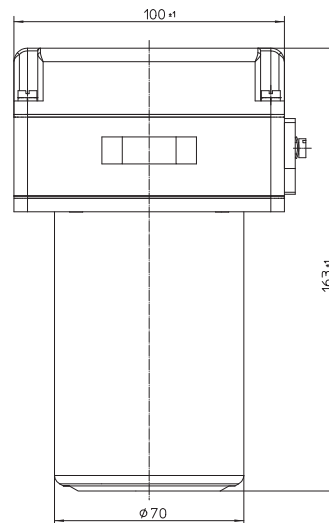
com (+) with polarity protection 26.05.31

com (+) without polarity protection 26.05.33

1000A



Lorem ipsum



1000A

Metric version

com (-) with polarity protection 26.02.30

com (-) without polarity protection 26.02.32

1000A

Metric version

com (+) with polarity protection 26.02.31

com (+) without polarity protection 26.02.33

SERIES 26

500A/1000A

Available Types

| | Type Ordering key | Contact | | Controlling | | Side mounting | Mounting brackets | 4-hole bot- tom mount. | Suppres- sion device | Polarity protection | Auxiliary contact | Weight kg / pound |
|-----------------------------|----------------------|---------|----|-------------|------------|------------------|----------------------|---------------------------|-------------------------|------------------------|----------------------|----------------------|
| | | NO | NC | com (-) | com (+) | | | | | | | |
| 24V / 28V 500A | 26.05.30 | x | | x | | x | | | x | x | x | 1.14 / 2.5 |
| | 26.05.31 | x | | | x | x | | | x | x | x | 1.14 / 2.5 |
| | 26.05.32 | x | | x | | x | | | x | | x | 1.14 / 2.5 |
| | 26.05.33 | x | | | x | x | | | x | | x | 1.14 / 2.5 |
| 24V / 28V 1000A *) | 26.02.30 | x | | x | | | x | | x | x | x | 4.10 / 9.1 |
| | 26.02.31 | x | | | x | | x | | x | x | x | 4.10 / 9.1 |
| | 26.02.32 | x | | x | | | x | | x | | x | 4.10 / 9.1 |
| | 26.02.33 | x | | | x | | x | | x | | x | 4.10 / 9.1 |

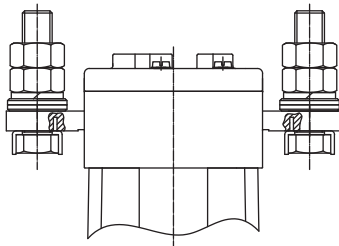
Other types and customer specified types upon request / * 1000 Mounting brackets can be found under accessories

Accessories

500A

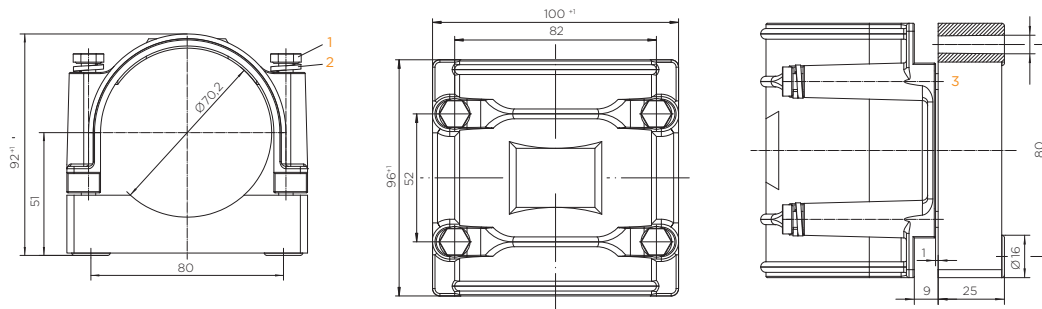
Connecting kit metric 26.06.56 (M12)

or connecting kit UNC 26.06.58 (1/2" x 2 UNC)



1000A

Mounting brackets



Types and additional dimensions

| Type | Ordering key | 1 Hexagon head screw | 2 Spring washer | 3 Fastening | Surface |
|-------------------------|--------------|----------------------|-----------------|----------------|--------------|
| Metric standard bracket | 26.50.00 | M6 | 6 DIN 127 | Ø 6.5 / 0.256" | RAL 6031-F9* |
| UNC-Bracket | 26.02.53 | ¼" UNC | ¼" UNC | Ø 6.5 / 0.256" | RAL 6031-F9* |
| UNC-Bracket | 26.02.54 | ¼" UNC | ¼" UNC | Ø 8.2 / 0.323" | RAL 6031-F9* |

* painted bronze green

te.com

TE Connectivity, TE, TE connectivity (logo), KISSLING (Logo) and KISSLING (word) are trademarks owned or licensed by the TE Connectivity family of companies. All other logos, products and/or company names referred to herein might be trademarks of their respective owners.

The information given herein, including drawings, illustrations and schematics which are intended for illustration purposes only, is believed to be reliable. However, TE Connectivity makes no warranties as to its accuracy or completeness and disclaims any liability in connection with its use. TE Connectivity's obligations shall only be as set forth in TE Connectivity's Standard Terms and Conditions of Sale for this product and in no case will TE Connectivity be liable for any incidental, indirect or consequential damages arising out of the sale, resale, use or misuse of the product. Users of TE Connectivity products should make their own evaluation to determine the suitability of each such product for the specific application.

© 2020 TE Connectivity | All Rights Reserved.

K1166693 | Version 12/2020