

HONEYWELL

See full Datasheet below...

onlinecomponents.com
THE ONLINE DISTRIBUTOR OF ELECTRONIC COMPONENTS

BUY NOW

 **MASTER**TM
ELECTRONICS

BUY NOW

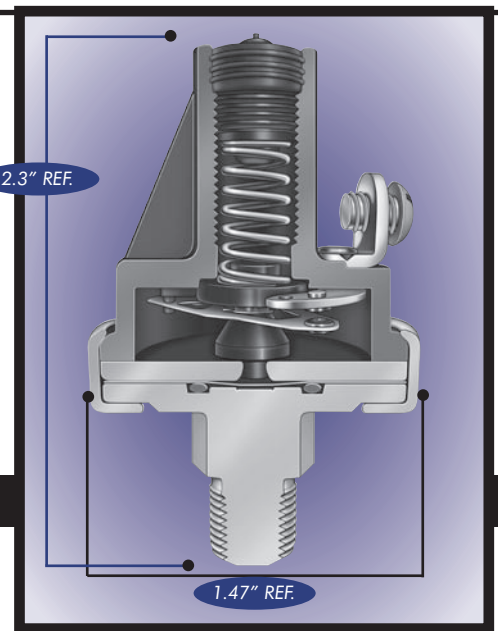
masterelectronics.com & onlinecomponents.com
are **authorized** e-commerce distributors
of electronic components.

Set Points from 10-400 psi

5000 Series Ultra Duty Pressure Switch

Honeywell Sensing and Control has designed a high pressure/low set point pressure switch for applications that see sudden pressure spikes and high system pressures that can result in early switch failures. This series has been strengthened to prevent cracking of the base with plated steel and screw machined components in a 3-piece design. Modifications to the effective area of the pressure cavity and size of the diaphragm button and diaphragm o-ring are what makes the switch capable of handling sudden pressure transients and high system pressures that are common in applications such as braking, transmission and hydraulic systems.

The switch's physical appearance is similar to our 5000 Series switches with a height of only 2.3" (approx) and a diameter of 1.47". In comparison to our 5000 Series Switch the burst rating has significantly increased from 1250 psi to over 4000 psi on the new design.



Specifications

Type: Direct action blade contact
Contacts: Silver alloy, gold plated
Set Point Range: 10-400 PSI
Operating Pressure: 500 PSI
Proof Pressure: 2000 PSI
Burst Pressure: 4000 PSI
Base: Plated Steel — Screw Machined
 3-piece construction
Diaphragm: Polyimide Film
Connector: 1/8-27 NPT Male Thread
Temperature Range: -40°F to +250°F
Terminals: #8-32 screws, 1/4" blade, 280 Series Metripack
Circuitry: SPST-N.O., N.C., SPDT
Cover: Glass Reinforced Polyester
Options: Base connector sizes, wire leads, N.O./N.O. dual circuit and N.C./N.C. dual circuit.

Ratings:

Resistive: 15 AMP- 6 VDC
 8 AMP- 12 VDC
 4 AMP- 24 VDC
Inductive: 1 AMP- 120 VAC
 0.5 AMP- 240 VAC

5000 Series Ultra Duty Pressure Switches			2 Terminals		Metri-Pack Integral Connector (See Note 1)			
Contact Setting	Factory Set At	Circuitry	Screw Part #	Blade Part #	Contact Setting	Factory Set At	Circuitry	Part #
10-35 PSI ±4 psi	20 PSI	N.O.	83298	83313	10-30 PSI ± 4 psi	20 PSI	N.O.	83328
		N.C.	83299	83314			N.C.	83329
		DC*	83300	83315			DC*	83330
35-75 PSI ± 6 psi	60 PSI	N.O.	83301	83316	30-65 PSI ± 5 psi	45 PSI	N.O.	83331
		N.C.	83302	83317			N.C.	83332
		DC*	83303	83318			DC*	83333
75-150 PSI ±10 psi	100 PSI	N.O.	83304	83319	65-125 PSI ± 7 psi	85 PSI	N.O.	83334
		N.C.	83305	83320			N.C.	83335
		DC*	83306	83321			DC*	83336
150-250 PSI ± 15 psi	200 PSI	N.O.	83307	83322	125-200 PSI ± 10 psi	165 PSI	N.O.	83337
		N.C.	83308	83323			N.C.	83338
		DC*	83309	83324			DC*	83339
250-400 PSI ± 20 psi	300 PSI	N.O.	83310	83325	200-400 PSI ± 15 psi	300 PSI	N.O.	83340
		N.C.	83311	83326			N.C.	83341
		DC*	83312	83327			DC*	83342

Approximate Dead Band Standard Switches

Contact Setting	Dead Band
10-35 PSI	15-25 PSI
35-75 PSI	25-35 PSI
75-150 PSI	40-60 PSI
150-250 PSI	50-70 PSI
250-400 PSI	80-100 PSI

Metri-Pack Switches

10-30 PSI	20-35 PSI
30-65 PSI	35-55 PSI
65-125 PSI	60-85 PSI
125-200 PSI	85-115 PSI
200-400 PSI	150-200 PSI

Note 1: Mating connector for N.O. and N.C. is Packard Part# 15300027; Mating connector for DC is Packard Part# 12034147.

DC*: The N.C. is the reference circuit for the DC Switch; the N.O. circuit is not adjusted. The approximate dead band between the N.C. and N.O. circuit is shown in the charts. For applications requiring the N.O. circuit as the reference circuit, the N.C. circuit is not adjusted.