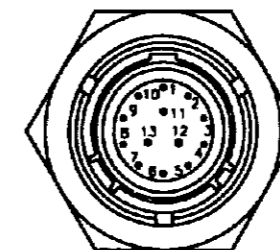
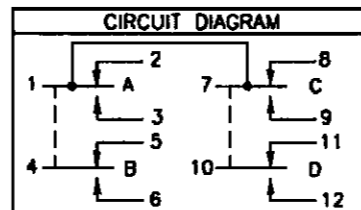


MICRO SWITCH
a Honeywell Division

SWITCH - ENCLOSED

CATALOG LISTING
HS-1069
CUSTOMER PART NO.
13212966

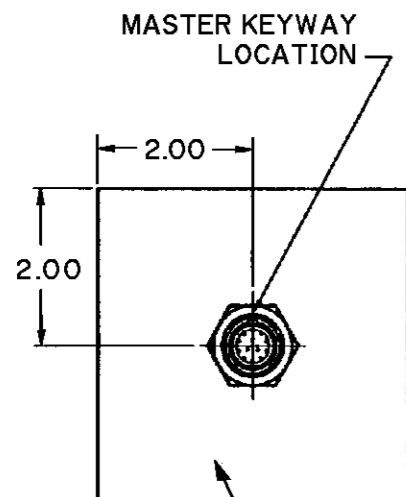
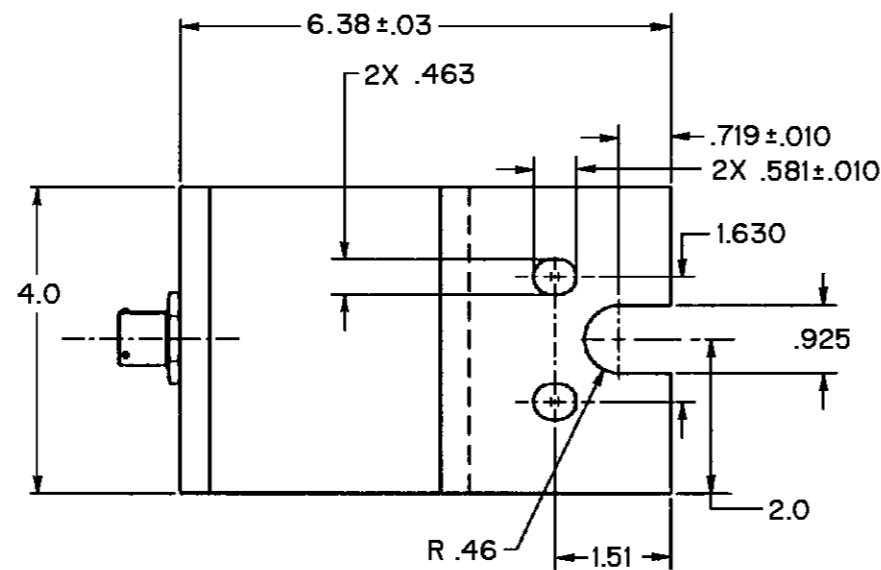
FED. MFG. CODE 91929



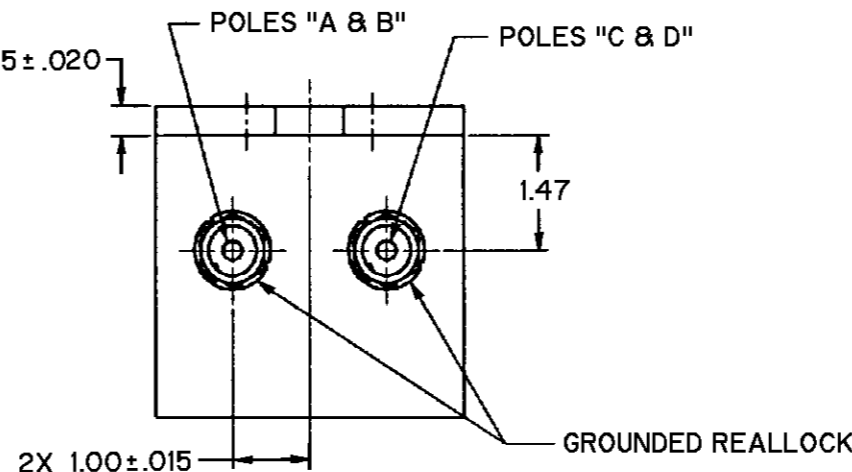
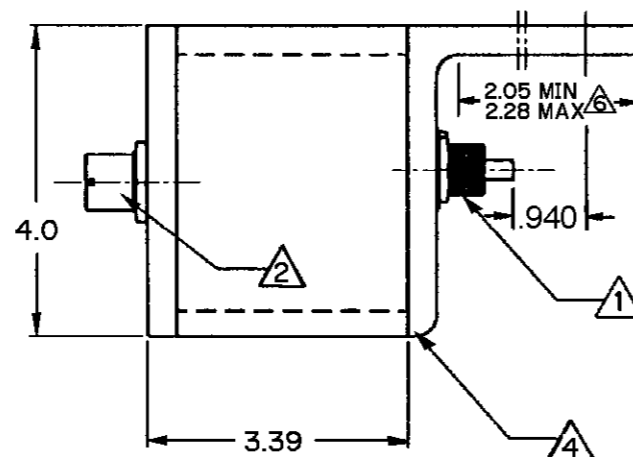
RECEPTACLE DETAIL
(SCALE 3:1)

CONNECTOR PIN-OUT		
CONNECTOR PIN NO.	SWITCH LEAD NO.	POLE
1	*1	
2	2	A
3	3	
4	4	
5	5	B
6	6	
7	*7	
8	8	C
9	9	
10	10	
11	11	D
12	12	
13	NO CONNECTION	

*LEADS #1 & #7 JUMPERED



MASTER KEYWAY LOCATION



PRINT CIRCUIT DIAGRAM,
CATALOG LISTING, DATE
CODE, FED. MFG. CODE
AND PART NO. 13212966
ON NAMEPLATE

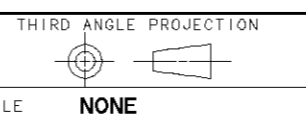
- NOTES
- ① SWITCH SEALED PER MIL - PRF - 8805 SYMBOL 4
 - ② CONNECTOR P/N MS27468T11B35P. MAXIMUM ELECTRICAL RESISTANCE BETWEEN CONNECTOR AND UNPAINTED SURFACE ⑥ IS 7.5 mΩ
 - 3- ENCLOSURE: CONVERSION COAT PER MIL- C-5541, CLASS 1A (ALODINE). PAINT PER MIL-C-53039A, COLOR : GREEN 34094
 - ④ ENCLOSURE UNSEALED
 - ⑤ CHARACTERISTICS APPLICABLE PER EACH SWITCH UNIT
 - ⑥ DO NOT PAINT THIS SURFACE AND MATING SURFACES OF THE ENCLOSURE

CATALOG LISTING
HS-1069
PAGE 1 OF 1
ISSUE 4
REPLACES PR-24190
RELEASE NO.
CHECK 03APR09
CMH
CHECK 23 SEP 99
SAV
CHECK 23 SEP 99
DLT
DRAWN

REVISIONS

CO-96098	JJA	16 FEB 00
B 207728	TSM	21 MAR 03
C 0050483	LK	03APR09

CHARACTERISTICS		ELECTRICAL DATA	
PRETRAVEL	.010 - .030	CONTACT ARRANGEMENT	
OPERATING FORCE	5 - 30 LBS	4X SPDT GOLD	
TOTAL TRAVEL	.250 MIN	BASICS PER	
CLICK DISTANCE	.010 - .050	28 VDC	
RELEASE FORCE	4 LBS MIN	LOAD	
ACTUATOR FORCE	30 LBS MAX	SEA LEVEL	
		RES	1
		IND	.5
		MOTOR	-



SCALE NONE

DO NOT SCALE PRINT

UNLESS OTHERWISE SPECIFIED TOLERANCES ARE

ONE PLACE	(.0) ± .030
TWO PLACE	(.00) ± .015
THREE PLACE	(.000) ± .005
ANGLES	± 4°

WEIGHT

ANSI Y14.5M-1982 APPLIES