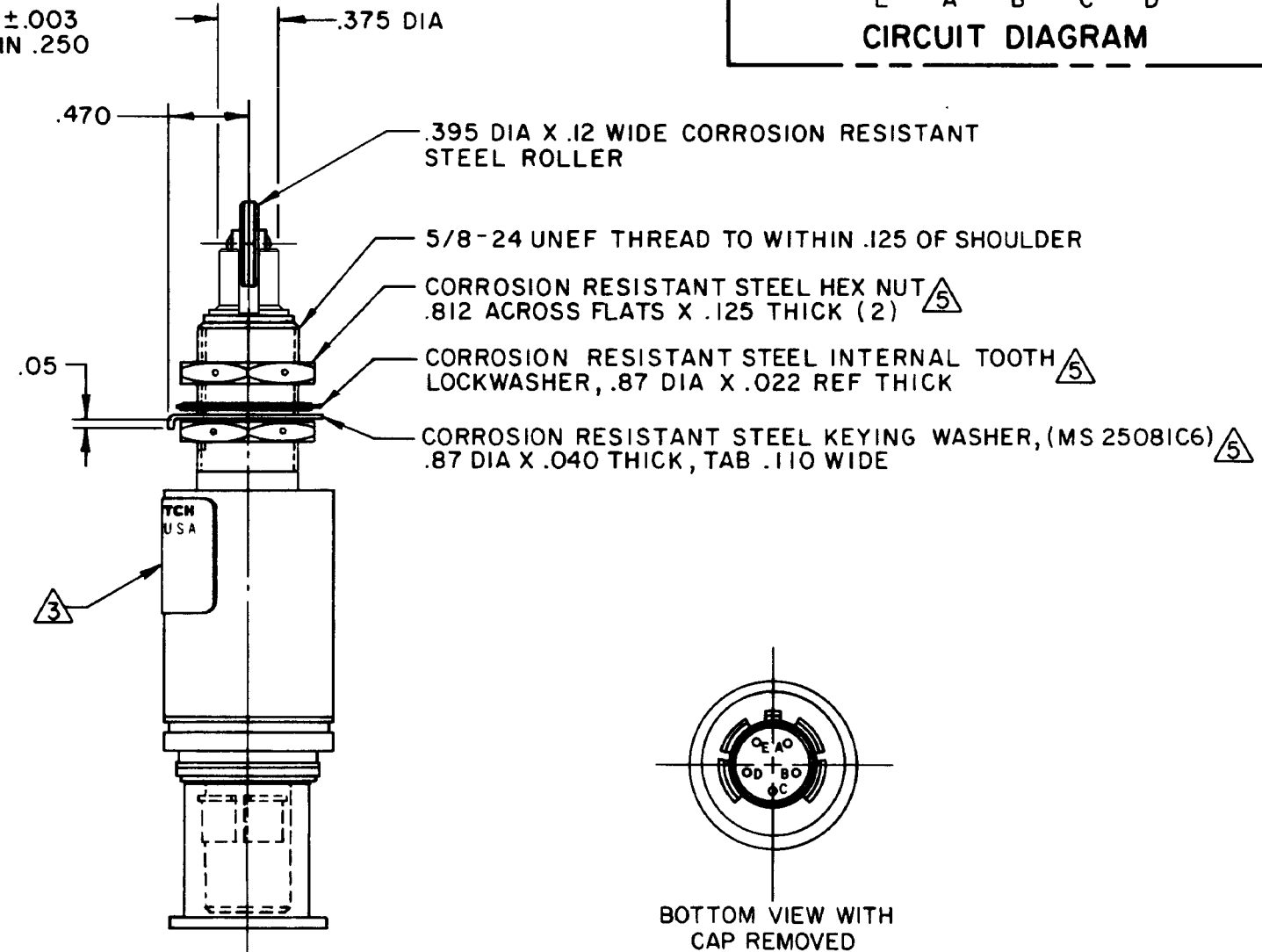
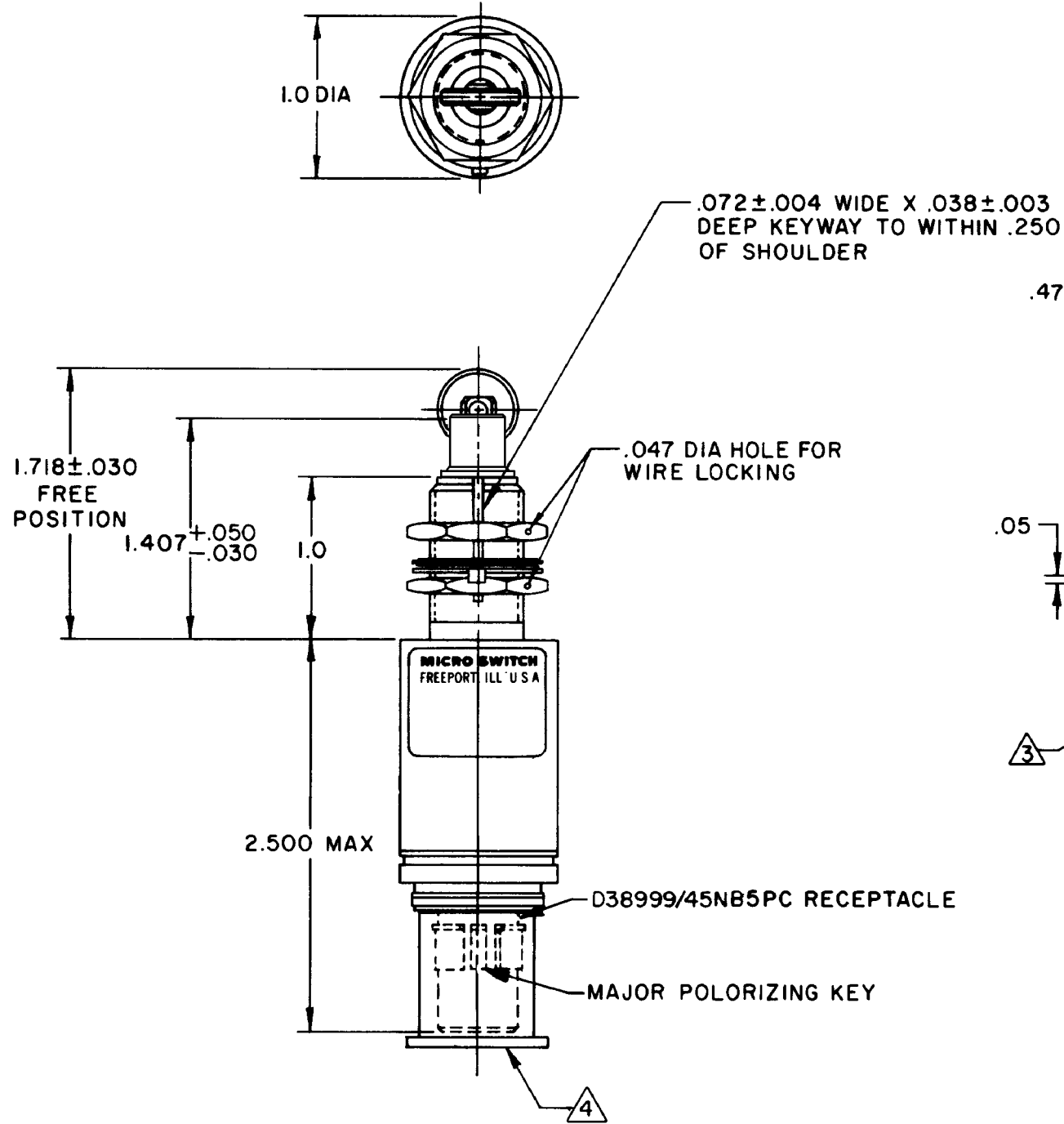
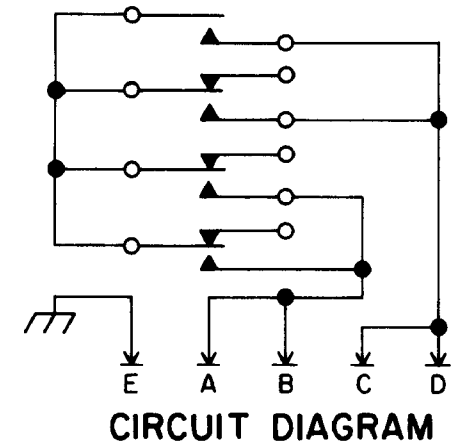


MICRO SWITCH
 FREEPORT ILLINOIS U.S.A.
 A DIVISION OF HONEYWELL
 FED MFG CODE 91929

SWITCH - ENCLOSED

CATALOG LISTING
424EN31-RB3



424EN31-RB3
 PAGE 1 OF 1
M
 DRAWING NUMBER
 ISSUE 10
 REVISIONS
 A CO 53362 24 JUN 85
 B CO53655 6 DEC 83
 C CO 54289 6 DEC 83
 D CO59234 27 MAR 86
 E CO74101 9 FEB 93
 F CO77148 13 JAN 94
 G CO-77504-C 27 JUL 94
 H CO81941 14 NOV 95
 J CO94855 29 MAR 99
 FORMTEK FO-32851-B
 DRAWN GRT 6 AUG 82
 CHECK CEB 2 SEPT 82
 CHECK DAN 31 AUG 82
 CHECK PR-11238-T
 REPLACES

THIS DRAWING COVERS A PROPRIETARY ITEM AND IS THE PROPERTY OF MICRO SWITCH A DIVISION OF HONEYWELL THIS DRAWING IS NOT TO BE COPIED OR USED WITHOUT THE APPROVAL OF MICRO SWITCH

CHARACTERISTICS	
OPERATING FORCE	6-12 LB
FULL OVERTRAVEL FORCE	30 LB MAX
RELEASE FORCE	4 LB MIN
PRETRAVEL	.040 MAX
DIFFERENTIAL TRAVEL	.020 MAX
OVERTRAVEL	.250 MIN

ELECTRICAL DATA		
CONTACT ARRANGEMENT S P D T (2)		
28 VDC		
LOAD	SEA LEVEL	50,000 FT.
RES	1	1
IND	.5	.5

SCALE FULL			
DO NOT SCALE PRINT			
TOLERANCES			
APPLY TO DESIGN UNITS CONVERSIONS ARE ONLY FOR REFERENCE UNLESS NOTED TOLERANCES ARE :			
DIM	TOL	DIM	TOL
mm	mm/in	in	mm/in
NO PLACES	±	1/04	
ONE PLACE	X, X	0.4/0.16	X X 0.01/0.005
TWO PLACES	X, XX	0.16/0.06	X XX 0.25/0.015
THREE PLACES	X, XXX	0.16/0.06	X XXX 0.13/0.005
ANGLES			
DESIGN UNITS		<input type="checkbox"/> METRIC <input checked="" type="checkbox"/> US CUSTOMARY	
THIRD ANGLE PROJECTION			
WEIGHT 7.0 OZ MAX			

- NOTES**
- 1 - CORROSION RESISTANT STEEL ENCLOSURE
 - 2 - SWITCH SEALED PER MIL-PRF-8805, SYMBOL 4
 - 3 - CAT. LISTING, DATE CODE, FED. MFG. CODE AND CIRCUIT DIAGRAM ARE SHOWN ON NAMEPLATE
 - 4 - FURNISH WITH SNUG FITTING PLASTIC DUST CAP
 - 5 - HARDWARE MAY BE PACKAGED UNASSEMBLED PER MIL-PRF-8805
 - 6 - BLUE PAINT ON POLARIZING KEY IS UNDAMAGED