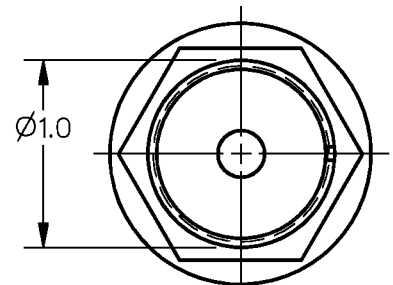
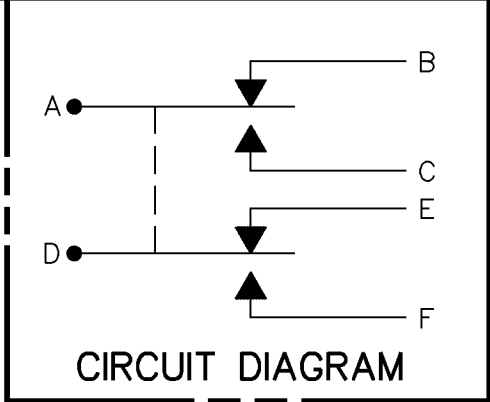


MICRO SWITCH
a Honeywell Division

FED. MFG. CODE 91929

SWITCH-ENCLOSED

CATALOG LISTING
1EN330-R3



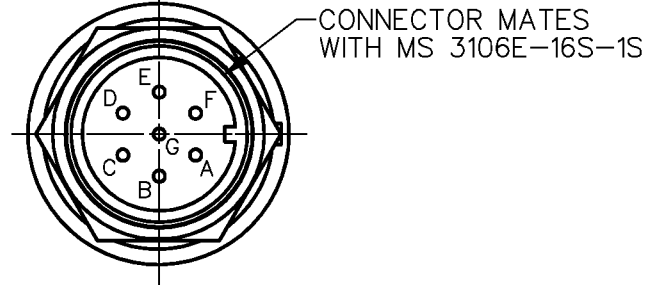
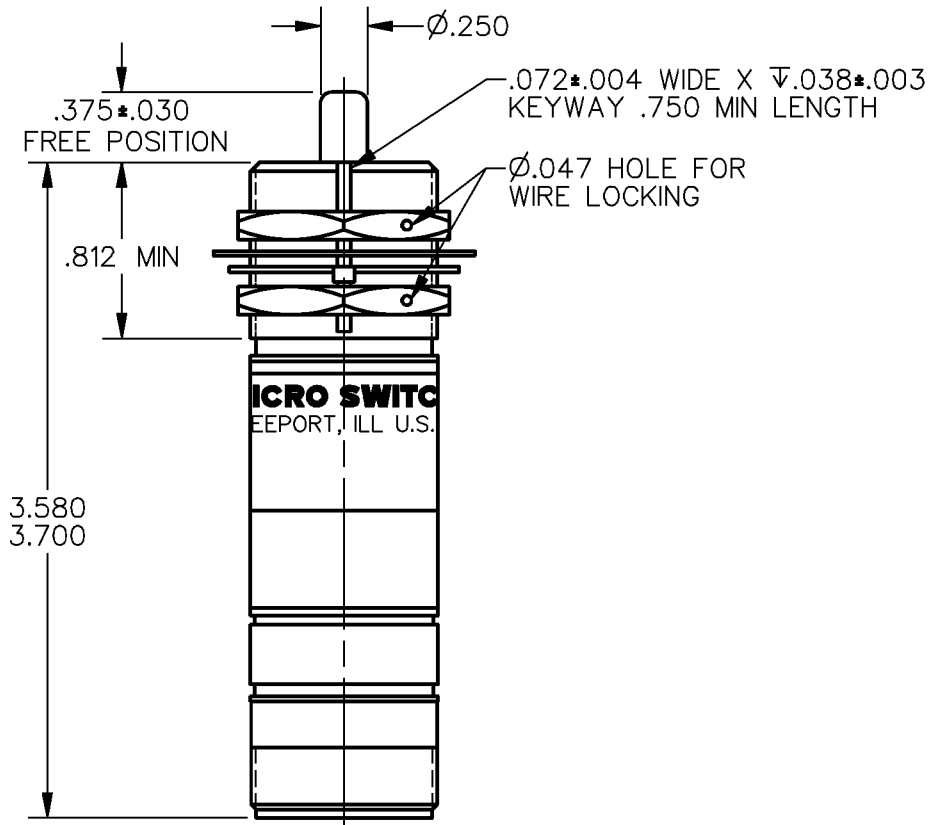
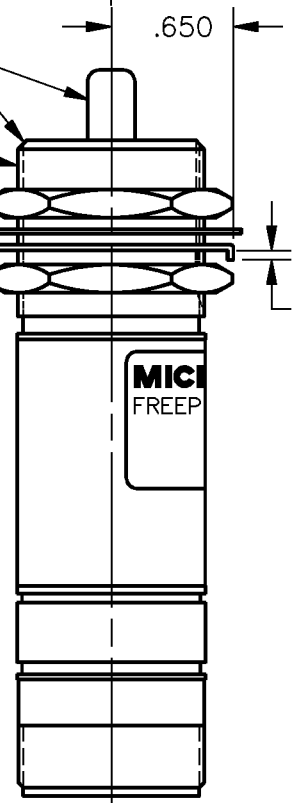
CORROSION RESISTANT STEEL
PLUNGER AND BUSHING

1-20 UNEF-2A THREAD

2X HEX NUT 1.125 ACROSS
FLATS X .15 THICK $\triangle 5$

INTERNAL TOOTH LOCKWASHER
 $\varnothing 1.38$ X (.025) THICK $\triangle 5$

CORROSION RESISTANT STEEL
KEYING WASHER, $\varnothing 1.22$ X
.031 THICK, TAB .110 WIDE $\triangle 5$



- NOTES
- 1 - ENCLOSURE FINISHED WITH GREEN EPOXY BASED ENAMEL COLOR NO. 34151 PER FEDERAL STANDARD 595
 - 2 - SWITCH SEALED PER MIL-S-8805 SYMBOL 4
 - 3 - CIRCUIT DIAGRAM, CATALOG LISTING AND DATE CODE ARE SHOWN ON NAMEPLATE
 - 4 - COINCIDENCE OF OPERATING AND RELEASING POINTS:
.010 INCH OF PLUNGER TRAVEL
 - $\triangle 5$ HARDWARE MAY BE PACKAGED UNASSEMBLED PER MIL-S-8805
 - $\triangle 6$ GOLD CONTACT BASIC SWITCHES

THIS DRAWING COVERS A PROPRIETARY ITEM AND IS THE PROPERTY OF MICRO SWITCH, A DIVISION OF HONEYWELL. THIS DRAWING IS NOT TO BE COPIED OR USED WITHOUT THE APPROVAL OF MICRO SWITCH		THIRD ANGLE PROJECTION	
CHARACTERISTICS		ELECTRICAL DATA	
OPERATING FORCE ———— 6-12 LB		CONTACT ARRANGEMENT $\triangle 6$	
FULL OVERTRAVEL ———— 30 LB MAX		2X SPDT	
RELEASE FORCE ———— 4 LB MIN		28 VDC	
PRETRAVEL ———— .040 MAX		LOAD	SEA LEVEL 50,000 FT.
DIFFERENTIAL TRAVEL ——— .020 MAX		RES	1 1
OVERTRAVEL ———— .250 MIN		IND	.5 .5
		WEIGHT 7.0 OZ MAX	

ANSI Y14.5M-1982 APPLIES

DDM/CAD DRAWN T S M 2 SEP 97
 CHECK
 REVISIONS
 A PR22923 T S M 2 SEP 97
 CHECK
 ISSUE 2
 M
 CATALOG LISTING 1EN330-R3 PAGE 1 OF 1
 RELEASE NO. PR-22923 REPLACES