

**MICRO SWITCH**  
a Honeywell Division

FED. MFG. CODE 91 929

SWITCH - BASIC

CATALOG LISTING

BZ-3RW82215555112D6S

CATALOG LISTING  
BZ-3RW82215555112D6S  
PAGE 1 OF 1

ISSUE  
**M**

3

REPLACES X98983-BZ

RELEASE NO. PR-21466

CHECK

CHECK

CHECK

CHECK

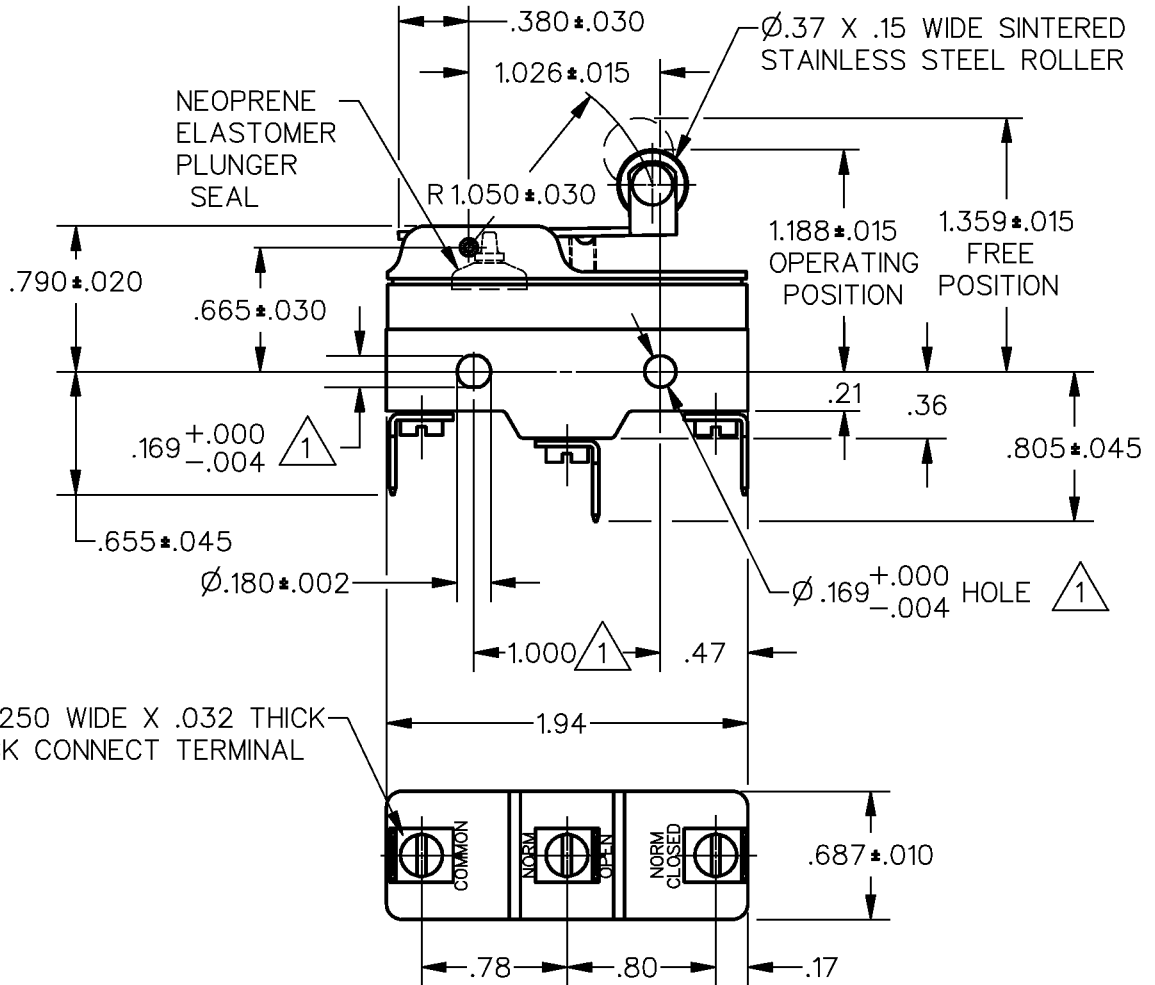
CHECK

CHECK

CHECK

CHECK

CHECK



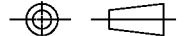
3X .250 WIDE X .032 THICK  
QUICK CONNECT TERMINAL

NOTE  
1 MOUNTING HOLES WILL ACCEPT PINS OR SCREWS  
OF Ø.165 MAX ON 1.000 ± .002 CENTERS

ANSI Y14.5M-1982 APPLIES

THIS DRAWING COVERS A PROPRIETARY ITEM AND IS THE PROPERTY OF MICRO SWITCH, A DIVISION OF HONEYWELL. THIS DRAWING IS NOT TO BE COPIED OR USED WITHOUT THE APPROVAL OF MICRO SWITCH.

THIRD ANGLE PROJECTION



CHARACTERISTICS	ELECTRICAL DATA	SCALE FULL	DO NOT SCALE PRINT
OPERATING FORCE — — — 6.5 OZ MAX	CONTACT ARRANGEMENT S P D T	<b>UNLESS OTHERWISE SPECIFIED TOLERANCES ARE</b> ONE PLACE (.0) ± .030 TWO PLACE (.00) ± .015 THREE PLACE (.000) ± .005 ANGLES ± WEIGHT .076 LB	
RELEASE FORCE — — — 1.5 OZ MIN	L9 10A 125, <u>250</u> OR 480 VAC 1/2A 125 VDC, 1/4A 250 VDC		
DIFFERENTIAL TRAVEL — — .007-.030	L288		
OVERTRAVEL — — — .094 MIN	CE		

DDM/CAD  
DRAWN

JALA 12 JAN 95  
CHECK

D A W 16 JAN 95  
CHECK

16 JAN 95  
CHECK

REVISIONS  
A 89-80938  
DLT 15 JUN 95  
B C093346  
DLT 17 AUG 98