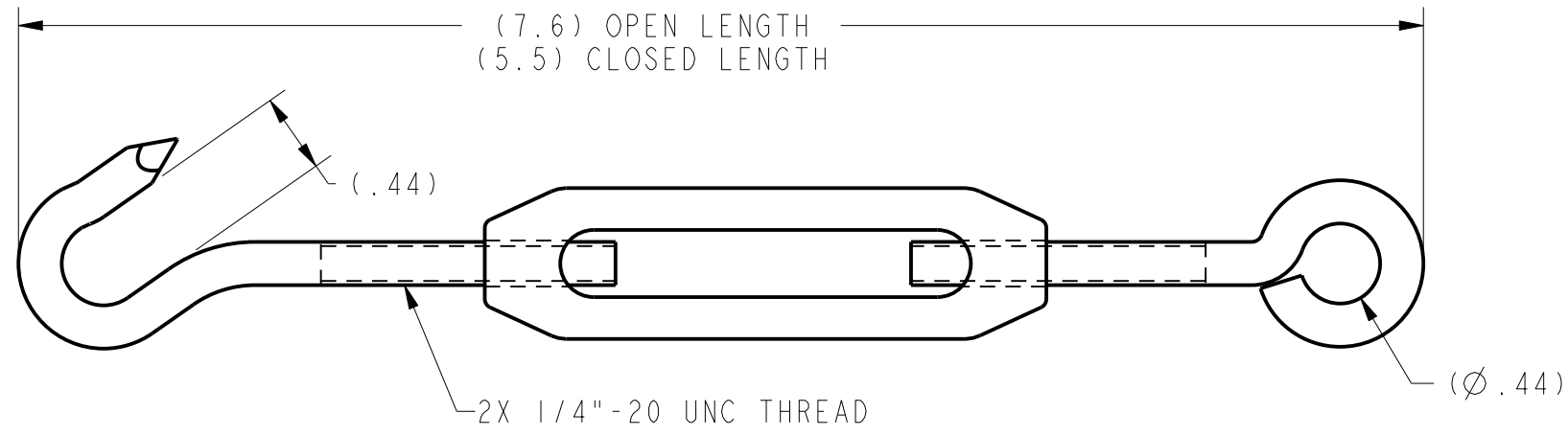


HONEYWELL
PART NUMBER
CPSZK2

REV	DOCUMENT	CHANGED BY	CHECK
B	0016685	DVM 03NOV05	RJ

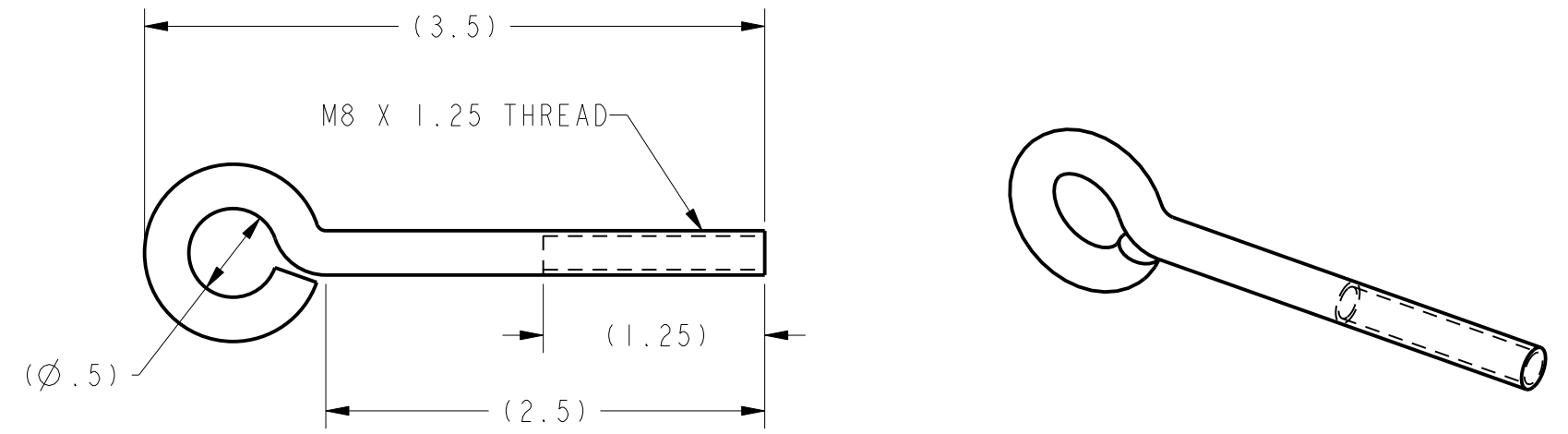


QUANTITY: 1
MATERIAL: CARBON STEEL
PLATING: ALL HARDWARE ZINC PLATE CLEAR TRIVALENT CHROMATE FINISH
MATING HARDWARE FURNISHED UNASSEMBLED

DESCRIPTION	MATERIAL	QUANTITY
1/4"-20 UNC HEX NUT	18-8 STAINLESS STEEL	1
1/4"-20 UNC HEX NUT (LEFT HAND)	18-8 STAINLESS STEEL	1

ALL COMPONENTS MUST BE WEE-ROHS COMPLIANT

TURNBUCKLE



QUANTITY: 16
MATERIAL: CARBON STEEL
PLATING: ZINC PLATED CLEAR TRIVALENT CHROMATE FINISH
MATING HARDWARE FURNISHED UNASSEMBLED

DESCRIPTION	MATERIAL	QUANTITY
M8 X 1.25 HEX NUT	STAINLESS STEEL	32
M8 LOCKWASHER	STAINLESS STEEL	16
M8 FLAT WASHER	STAINLESS STEEL	32

ALL COMPONENTS MUST BE WEE-ROHS COMPLIANT

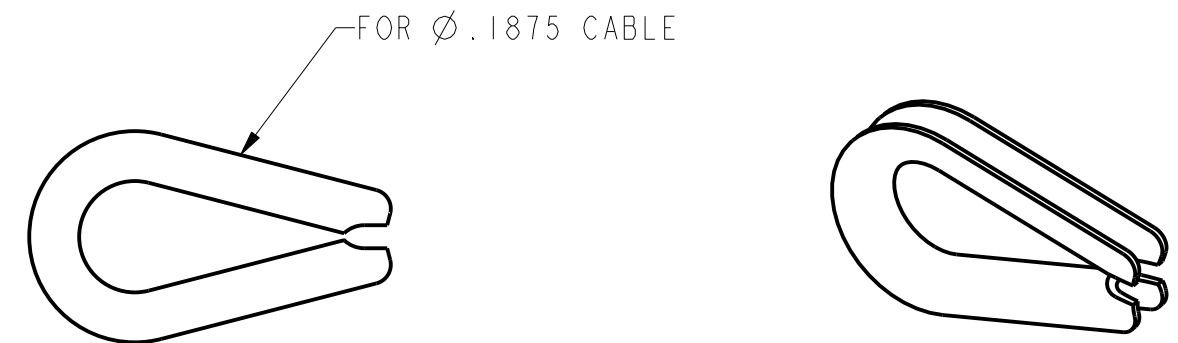
CABLE SUPPORT



QUANTITY: 2
MATERIAL: STAINLESS STEEL

ALL COMPONENTS MUST BE WEE-ROHS COMPLIANT

CABLE CLAMP



QUANTITY: 2
MATERIAL: CARBON STEEL
PLATING: ZINC PLATED CLEAR TRIVALENT CHROMATE FINISH

COMPONENT MUST BE WEE-ROHS COMPLIANT

THIMBLE

NOTES
 PARTS SEALED SEPERATELY
2 - BAGS TO BE MARKED WITH CATALOG LISTING

DESIGN UNITS: INCH
TOLERANCES UNLESS NOTED:
NO PLACE X ± .040
ONE PLACE .X ± .030
TWO PLACE .XX ± .015
THREE PLACE .XXX ± .005
FOUR PLACE .XXXX ±
ANGLES X ±

THIRD ANGLE PROJECTION



DRAWN	KED	05OCT05
CHECK	SAV	05OCT05
THIS DRAWING COVERS A PROPRIETARY ITEM AND IS THE PROPERTY OF HONEYWELL. THIS DRAWING IS NOT TO BE COPIED OR USED WITHOUT THE PERMISSION OF HONEYWELL.		
INTERPRET PER ASME Y14.5M-1994 OTHER HONEYWELL ENGINEERING STANDARDS MAY APPLY		
Pro/ENGINEER	3D	SCALE 1:1

Honeywell			
TITLE HARDWARE, PACKET			
SIZE C	TYPE I	DRAWING NAME CPSZK2	REV B
SHEET 1 OF 1			