

MICRO SWITCH

FREEPORT ILLINOIS, U.S.A
A DIVISION OF HONEYWELL
FED. MFG. CODE 91929

SWITCH - BASIC

CATALOG LISTING

BZ-RW8405-A2

CATALOG LISTING

BZ - RW8405-A2

PAGE 1 OF 1

REPLACES X72363 - BZ

RELEASE NO. PR-10186

M

ISSUE 3

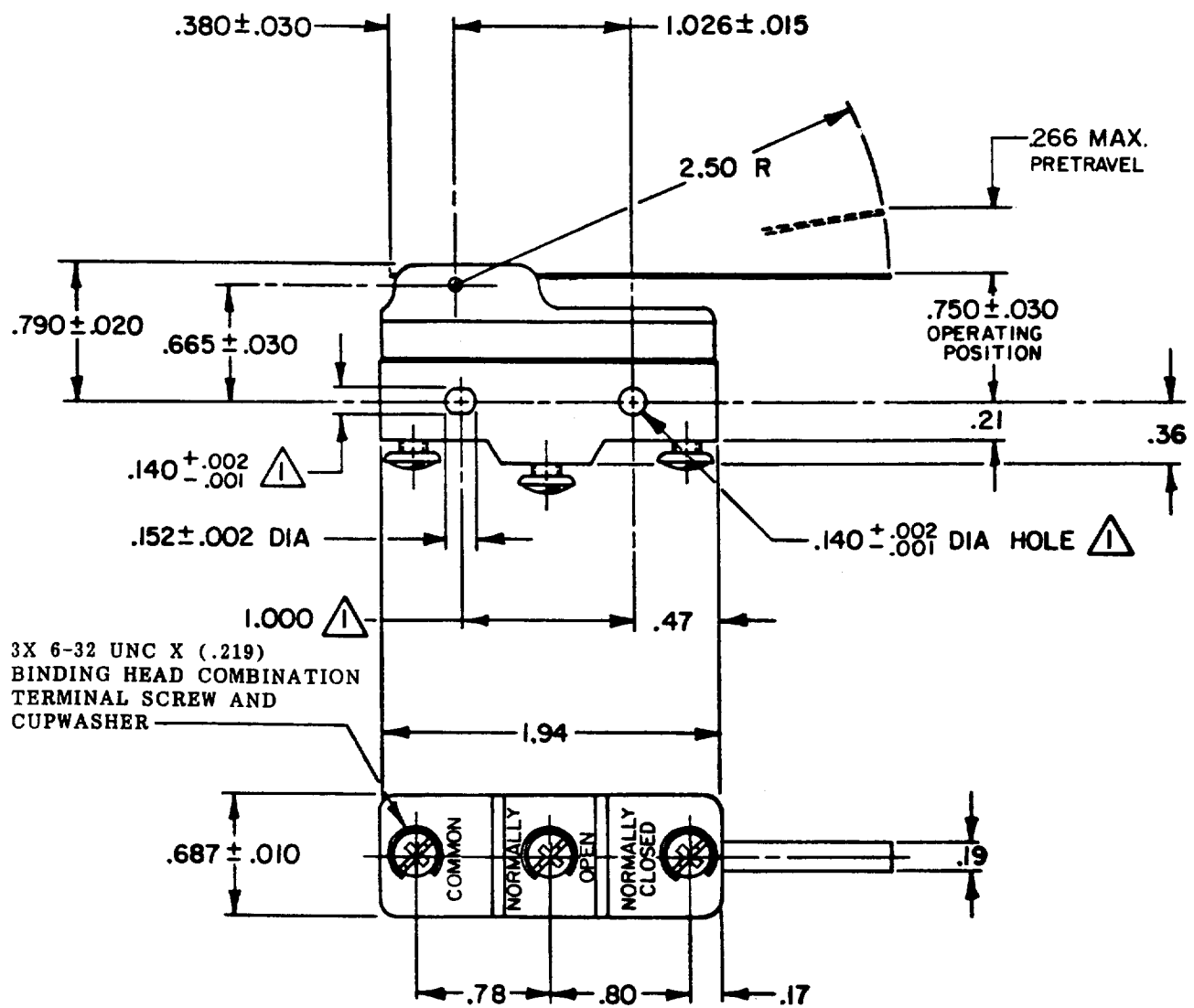
REVISIONS

A	CO-73287-J	JAN 22	NOV 93
B	203155	CSL	24 MAY 01

CHECK

16	MAY 81	CHECK
14	MAY 81	CHECK
13	MAY 81	CHECK
12	MAY 81	CHECK
11	MAY 81	CHECK
10	MAY 81	CHECK
9	MAY 81	CHECK
8	MAY 81	CHECK
7	MAY 81	CHECK
6	MAY 81	CHECK
5	MAY 81	CHECK
4	MAY 81	CHECK
3	MAY 81	CHECK
2	MAY 81	CHECK
1	MAY 81	CHECK

FD-52848-A
DRAWN
GJW 14 MAY 81



NOTE -
 - MOUNTING HOLES WILL ACCEPT PINS OR SCREWS OF .139 MAX DIA ON 1.000 ± .002 CENTERS

THIS DRAWING COVERS A PROPRIETARY ITEM AND IS THE PROPERTY OF MICRO SWITCH, A DIVISION OF HONEYWELL. THIS DRAWING IS NOT TO BE COPIED OR USED WITHOUT THE APPROVAL OF MICRO SWITCH.

THIRD ANGLE PROJECTION

CHARACTERISTICS

OPERATING FORCE ----- 3/4 OZ MAX
 RELEASE FORCE ----- 1/8 OZ MIN
 DIFFERENTIAL TRAVEL ----- .003 - .015
 OVERTRAVEL ----- .219 MIN

ELECTRICAL DATA

CONTACT ARRANGEMENT
 S P D T
 L103 15A 125, 250 OR 480 VAC
 1/8HP 125 VAC, 1/4HP 250 VAC



L288
L299
L306

16A 250V ~ T85 5E4

SCALE FULL

DO NOT SCALE PRINT

TOLERANCES
 APPLY TO DESIGN UNITS. CONVERSIONS ARE ONLY FOR REFERENCE. UNLESS NOTED, TOLERANCES ARE 2

	DIM. in	TOL. mm/10	DIM. in	TOL. mm/10
HP PLACES	X	1/.04	X	0.0750
ONE PLACES	X, X	0.01/0.10	X, X	0.050/0.10
TWO PLACES	X, XX	0.10/0.050	X, XX	0.125/0.050
THREE PLACES	X, XXX		X, XXX	

DESIGN UNITS METRIC US CUSTOMARY

WEIGHT .073 LB.

MICRO SWITCH

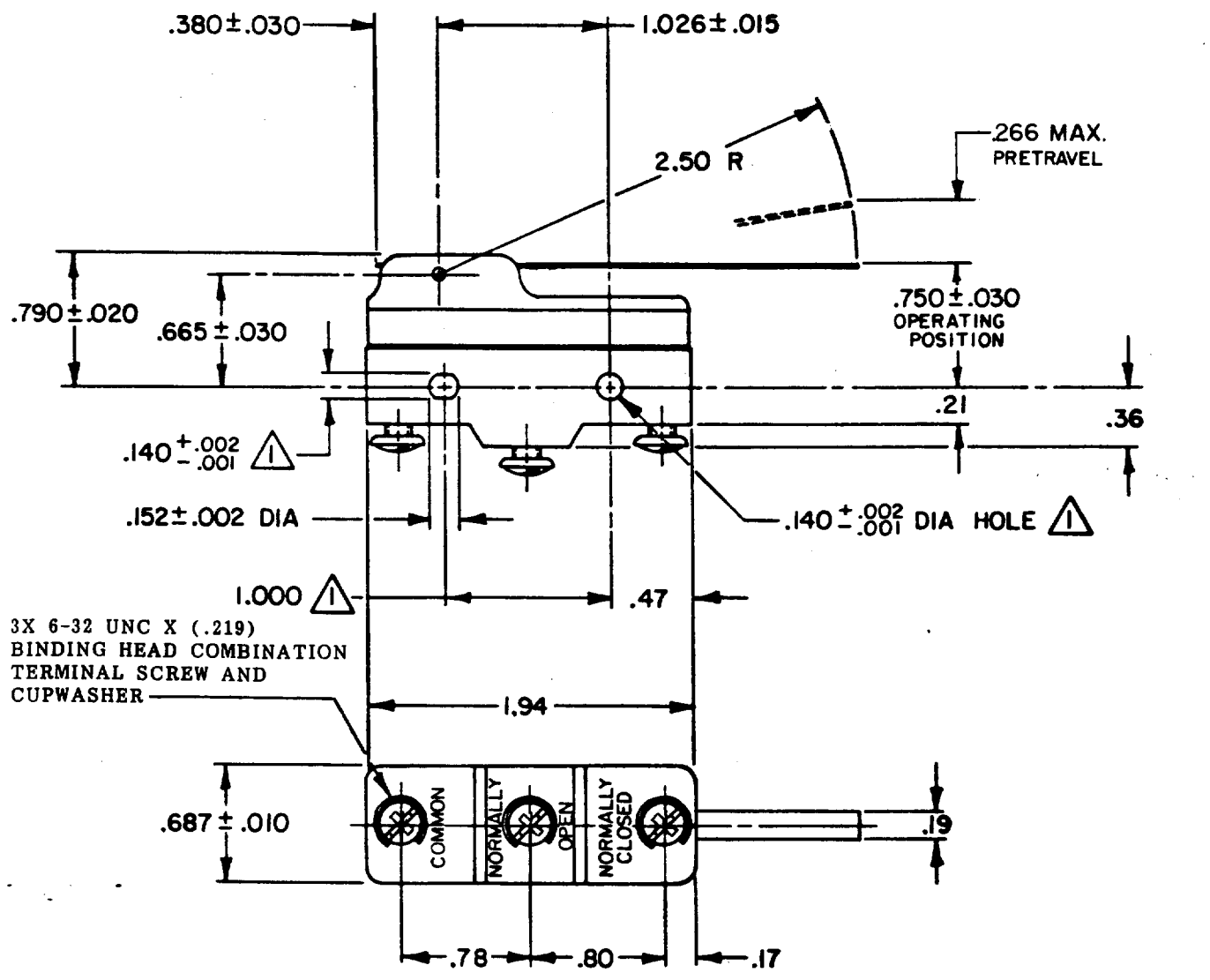
FREERPORT ILLINOIS, U.S.A
A DIVISION OF HONEYWELL
FED. MFG. CODE 91929

SWITCH - BASIC

CATALOG LISTING

BZ-RW8405 - A 2

BZ-RW8405-A2
 M
 DRAWING NUMBER
 2
 ISSUE
 X
 REVISIONS
 A CO-73287-J
 22 NOV 93
 CHECK
 CEB
 16 MAY 81
 CHECK
 GJW
 14 MAY 81
 DRAWN
 FO-52848-A



NOTE -
 ⚠ - MOUNTING HOLES WILL ACCEPT PINS OR SCREWS OF .139 MAX DIA ON 1.000 ± .002 CENTERS

THIS DRAWING COVERS A PROPRIETARY ITEM AND IS THE PROPERTY OF MICRO SWITCH, A DIVISION OF HONEYWELL. THIS DRAWING IS NOT TO BE COPIED OR USED WITHOUT THE APPROVAL OF MICRO SWITCH.



CHARACTERISTICS
OPERATING FORCE ----- 3/4 OZ MAX
RELEASE FORCE ----- 1/8 OZ MIN
DIFFERENTIAL TRAVEL ----- .003 - .015
OVERTRAVEL ----- .219 MIN

ELECTRICAL DATA
CONTACT ARRANGEMENT S P D T
UL LISTED - FILE E12252 CODE L103 15A-125, 250 OR 480 VAC 1/8HP-125 VAC; 1/4HP-250 VAC

SCALE FULL																				
DO NOT SCALE PRINT																				
TOLERANCES APPLY TO DESIGN UNITS. CONVERSIONS ARE ONLY FOR REFERENCE. UNLESS NOTED, TOLERANCES ARE 2																				
<table border="1"> <thead> <tr> <th>NO. PLACES</th> <th>DIM. in</th> <th>TOL. mm/10</th> <th>DIM. in</th> <th>TOL. mm/10</th> </tr> </thead> <tbody> <tr> <td>ONE PLACE</td> <td>X</td> <td>1/.04</td> <td>X</td> <td>0.0250</td> </tr> <tr> <td>TWO PLACES</td> <td>X, XX</td> <td>0.4/.010</td> <td>X, XX</td> <td>0.25/.010</td> </tr> <tr> <td>THREE PLACES</td> <td>X, XX, XXX</td> <td>0.15/.005</td> <td>X, XX, XXX</td> <td>0.15/.005</td> </tr> </tbody> </table>	NO. PLACES	DIM. in	TOL. mm/10	DIM. in	TOL. mm/10	ONE PLACE	X	1/.04	X	0.0250	TWO PLACES	X, XX	0.4/.010	X, XX	0.25/.010	THREE PLACES	X, XX, XXX	0.15/.005	X, XX, XXX	0.15/.005
NO. PLACES	DIM. in	TOL. mm/10	DIM. in	TOL. mm/10																
ONE PLACE	X	1/.04	X	0.0250																
TWO PLACES	X, XX	0.4/.010	X, XX	0.25/.010																
THREE PLACES	X, XX, XXX	0.15/.005	X, XX, XXX	0.15/.005																
DESIGN UNITS <input type="checkbox"/> METRIC <input checked="" type="checkbox"/> US CUSTOMARY																				
WEIGHT .073 LB.																				