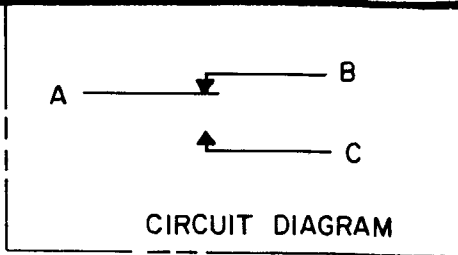


MICRO SWITCH
 FREEPORT ILLINOIS U S A
 A DIVISION OF HONEYWELL
 FED. MFG. CODE 91929

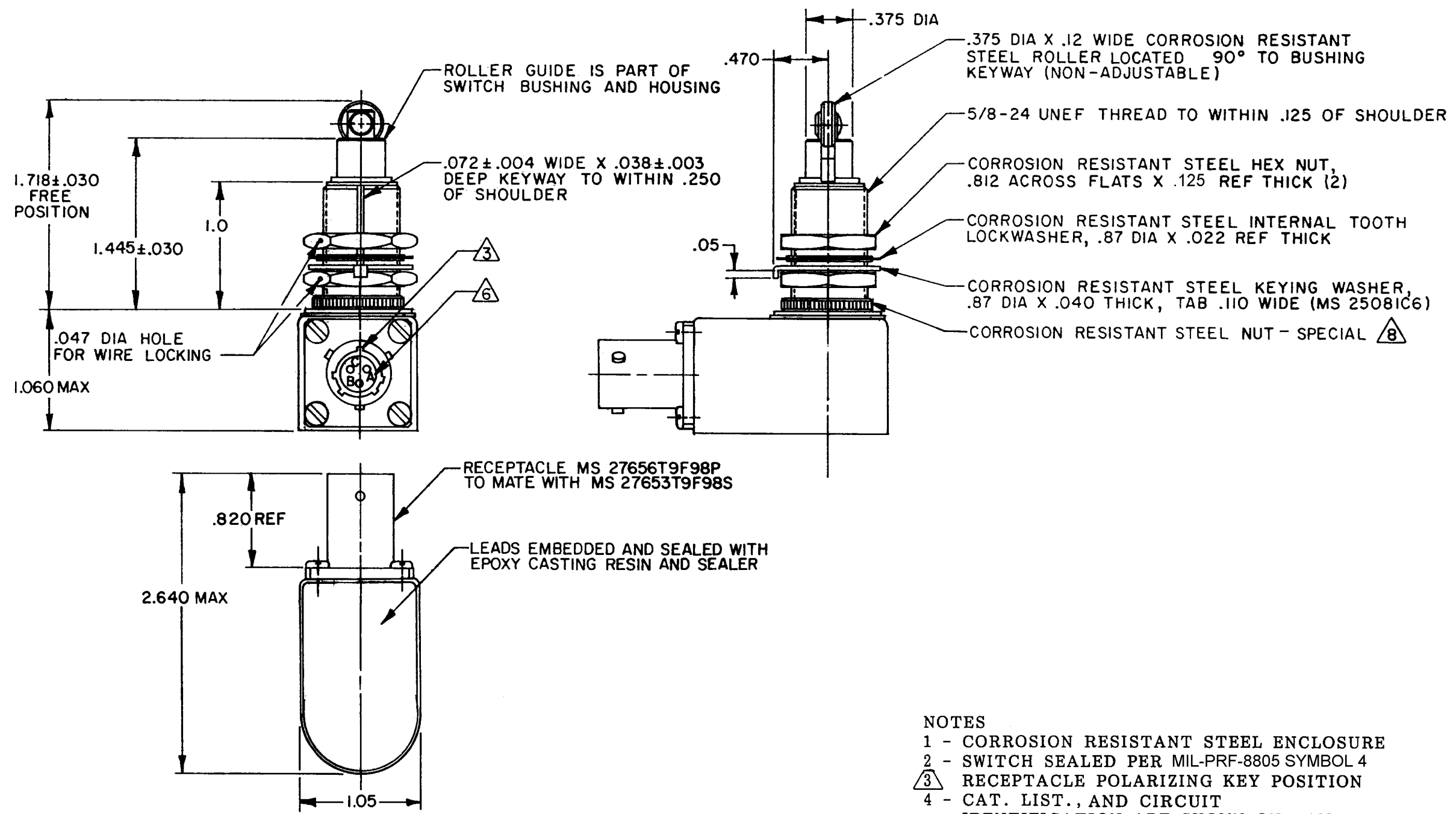
SWITCH - ENCLOSED

CATALOG LISTING
21EN321-R



CATALOG LISTING
21EN321-R
 PAGE 1 OF 1
 ISSUE **M**
14
 REVISIONS
 A OBS CO 47488
 24 MAR 80
 B RE-INST PR-14918
 18 AUG 86
 C CO61705
 29 MAY 87
 D CO61354
 13 NOV 87
 E CO65806
 12 MAY 89
 F CO66322
 12 SEP 89
 G CO79951
 25 FEB 95
 H 204049
 1 OCT 01
 J 0035971
 MST 05DEC07
 RASTER
 FO-5251-A
 DRAWN
WJK 18 AUG 86

REPLACES
 PR-14918
 05DEC07
 ASD
 CHECK
 GLL
 5 SEP 86
 GLL
 5 SEP 86
 KAG
 5 SEP 86
 CHECK



- NOTES
- 1 - CORROSION RESISTANT STEEL ENCLOSURE
 - 2 - SWITCH SEALED PER MIL-PRF-8805 SYMBOL 4
 - ③ RECEPTACLE POLARIZING KEY POSITION
 - 4 - CAT. LIST., AND CIRCUIT IDENTIFICATION ARE SHOWN ON NAMEPLATE
 - 5 - SWITCH IS SKYDROL RESISTANT
 - ⑥ PIN LETTERS SHOWN FOR REFERENCE ONLY, THEY DO NOT NECESSARILY APPEAR ON RECEPTACLE
 - 7 - HARDWARE MAY BE FURNISHED UNASSEMBLED
 - ⑧ NUT TO BE LOCKED IN PLACE USING LIQUID SEALANT

THIS DRAWING COVERS A PROPRIETARY ITEM AND IS THE PROPERTY OF MICRO SWITCH, A DIVISION OF HONEYWELL. THIS DRAWING IS NOT TO BE COPIED OR USED WITHOUT THE APPROVAL OF MICRO SWITCH.

THIRD ANGLE PROJECTION

| | | | |
|---------------------------|-----------|---------------------|-----------|
| CHARACTERISTICS | | ELECTRICAL DATA | |
| OPERATING FORCE----- | 6-12 LB | CONTACT ARRANGEMENT | |
| FULL OVERTRAVEL FORCE---- | 30 LB MAX | S P D T | |
| RELEASE FORCE----- | 4 LB MIN | 28 VDC | |
| PRETRAVEL----- | .040 MAX | LOAD | SEA LEVEL |
| DIFFERENTIAL TRAVEL----- | .010 MAX | RES | 50,000 FT |
| OVERTRAVEL----- | .250 MIN | IND | |
| | | MOTOR | |

SCALE FULL

DO NOT SCALE PRINT

UNLESS OTHERWISE SPECIFIED TOLERANCES ARE

| | | |
|-------------|--------|--------|
| ONE PLACE | (.0) | ± .030 |
| TWO PLACE | (.00) | ± .015 |
| THREE PLACE | (.000) | ± .005 |
| ANGLES | | ± |

RAW MATERIAL-COMMERCIAL STANDARD MICRO SWITCH STANDARDS APPLY
 DIMENSIONS ARE TO BE MET BEFORE PROTECTIVE COATINGS ARE APPLIED

WEIGHT 7 OZ MAX