

40723 ✓ ACTIVE

TE Internal #: 40723

Ring Terminals & Spade Terminals, Ring Tongue, 18 – 14 AWG

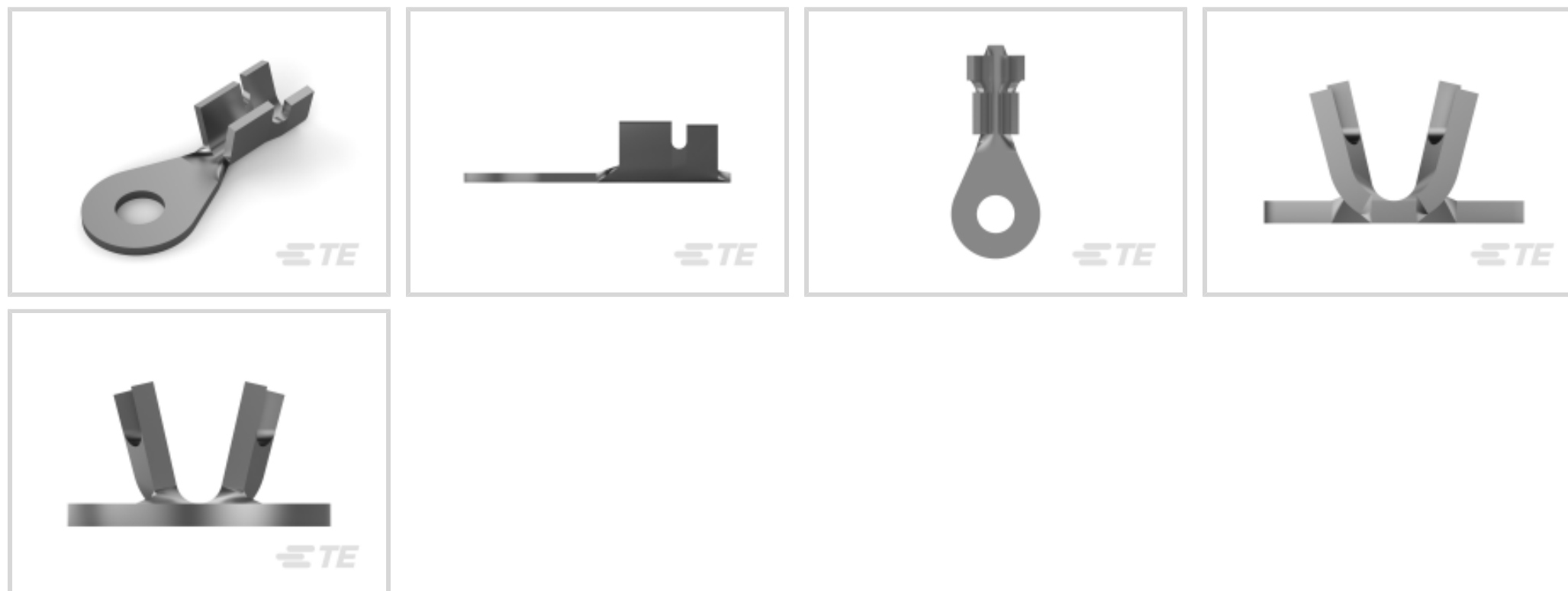
Wire Size, .8 – 2 mm² Wire Size, 1624 – 4106 CMA Wire Size, Stud

Size #6 / M3.5

[View on TE.com >](#)



Terminals & Splices > Ring Terminals & Spade Terminals



Ring & Spade Terminal Type: **Ring Tongue**

Wire Size: **1624 – 4106 CMA**

Stud Size: **#6, M3.5**

Features

Product Type Features

Shape Description	Circular/Oval
Stud Size	#6, M3.5
Sealable	No
Compatible With Discrete Wire Type	Stranded
Wire Insulation Support Retention Type	Insulation Support

Configuration Features

Number of Holes	1
Terminal Angle	180 °

Body Features

Inspection Slot	No
Weight per Piece	.872 g

Contact Features

Contact Base Material	Brass
Ring & Spade Terminal Type	Ring Tongue
Barrel Type	Open
Terminal Orientation	Straight

Terminal Plating Material	Tin
Contact Underplating Material	Nickel

Mechanical Attachment

Wire Insulation Support	With
-------------------------	------

Dimensions

	.1 in
Wire Size	1624 – 4106 CMA
Stud Diameter	3.68 mm[.145 in]
Tongue Thickness	.76 mm[.03 in]
Overall Product Length	19.81 mm[.78 in]
Barrel Inside Diameter	1.52 mm, 2.92 mm[.06 in][.115 in]
Accepts Wire Insulation Diameter (Max)	3.56 mm[.14 in]
Accepts Wire Insulation Diameter Range	2.54 – 3.56 mm[.1 – .14 in]

Usage Conditions

Insulation Option	Uninsulated
Operating Temperature Range	-40 – 110 °C[-40 – 230 °F]

Operation/Application

Compatible With Wire Base Material	Copper
Heavy Duty	No

Industry Standards

Government Qualified	No
----------------------	----

Packaging Features

Packaging Quantity	11000
Packaging Method	Strip/Reel

Product Compliance

[For compliance documentation, visit the product page on TE.com>](#)

EU RoHS Directive 2011/65/EU	Compliant
EU ELV Directive 2000/53/EC	Compliant
China RoHS 2 Directive MIIT Order No 32, 2016	No Restricted Materials Above Threshold
EU REACH Regulation (EC) No. 1907/2006	Current ECHA Candidate List: JUNE 2022 (224)



Candidate List Declared Against: JUNE 2022 (224)
Does not contain REACH SVHC

Halogen Content

Low Halogen - Br, Cl, F, I < 900 ppm per homogenous material. Also BFR/CFR/PVC Free

Solder Process Capability

Not applicable for solder process capability

Product Compliance Disclaimer

This information is provided based on reasonable inquiry of our suppliers and represents our current actual knowledge based on the information they provided. This information is subject to change. The part numbers that TE has identified as EU RoHS compliant have a maximum concentration of 0.1% by weight in homogenous materials for lead, hexavalent chromium, mercury, PBB, PBDE, DBP, BBP, DEHP, DIBP, and 0.01% for cadmium, or qualify for an exemption to these limits as defined in the Annexes of Directive 2011/65/EU (RoHS2). Finished electrical and electronic equipment products will be CE marked as required by Directive 2011/65/EU. Components may not be CE marked. Additionally, the part numbers that TE has identified as EU ELV compliant have a maximum concentration of 0.1% by weight in homogenous materials for lead, hexavalent chromium, and mercury, and 0.01% for cadmium, or qualify for an exemption to these limits as defined in the Annexes of Directive 2000/53/EC (ELV). Regarding the REACH Regulation, the information TE provides on SVHC in articles for this part number is based on the latest European Chemicals Agency (ECHA) 'Guidance on requirements for substances in articles' posted at this URL: <https://echa.europa.eu/guidance-documents/guidance-on-reach>

Compatible Parts



TE Part # 350080-1
RING TERMINAL 18-14 0.245 X 1.110 TPSTL



TE Part # 42933-2
RING TERMINAL 20-16 AWG TPBR



TE Part # 61359-1
RING GR ANTI ROTATIONAL 18-14 AWG PTPST



TE Part # 2-2151370-1
OCEAN_2.0_Applicator-E-130F180F



TE Part # 2-2151370-2
OCEAN_2.0_Applicator-E-130F180F



TE Part # 2151370-1
OCEAN_2.0_Applicator-E-130F180F



TE Part # 2151370-2
OCEAN_2.0_Applicator-E-130F180F



TE Part # 2151372-2
OCEAN-2.0-APPLICATOR-S-070F1300



TE Part # 63170-1
RING TERMINAL (RT) 18-14 AWG TPBR



TE Part # 640189-1
RING TINSEL WIRE TPBR



TE Part # 7-2151370-1
OCEAN_2.0_Applicator-E-130F180F



TE Part # 7-2151370-2
OCEAN_2.0_Applicator-E-130F180F



KIT
REPRESENTATION ONLY

TE Part # 7-2151370-7
OCEAN_2.0_SPARE_PART_KIT-130F180F

Customers Also Bought



TE Part #DT04-12PC-B016
DEUTSCH DT Series Housings & Connectors



TE Part #2-328999-1
PIDG 16-14 R 3/8; TAPE



TE Part #42168-2
SPRING SPADE TERMINAL 18-14 AWG TPBR



TE Part #41456
RING TERMINAL 20-16 AWG TPBR



TE Part #63137-1
250 FASOTN FLAG REC 20-16 AWG TPBZ




TE Part #669149-000
FLHTC0311-16-2



TE Part #435829-000
FLHTC0311-16-0



TE Part #42555-1
RING TERMINAL 12-10 AWG TPCU



TE Part #1803515-3
RAM ASSEMBLY, SF ATLANTIC

Documents



Product Drawings

RING 138(3.50 MM) TERMINAL18-14 AWG TPBR

English

CAD Files

3D PDF

3D

Customer View Model

[ENG_CVM_CVM_40723_BA_c-40723-ba.2d_dxf.zip](#)

English

Customer View Model

[ENG_CVM_CVM_40723_BA_c-40723-ba.3d_igs.zip](#)

English

Customer View Model

[ENG_CVM_CVM_40723_BA_c-40723-ba.3d_stp.zip](#)

English

By downloading the CAD file I accept and agree to the [Terms and Conditions](#) of use.

Product Specifications

Engineering Report

English

Product Environmental Compliance

[MD_40723_0623201455_dmtec](#)

English

[MD_40723_0623201455_dmtec](#)

English