



TE Internal #: 881015-2

Ring Terminals & Spade Terminals, Ring Tongue, 9 – 7 AWG Wire Size, 6 – 10 mm² Wire Size, 13091 – 20815 CMA Wire Size, Stud Size #10

[View on TE.com >](#)

Terminals & Splices > Ring Terminals & Spade Terminals



Ring & Spade Terminal Type: **Ring Tongue**

Wire Size: **13091 – 20815 CMA**

Stud Size: **#10**

Features

Product Type Features

Stud Size	#10
Sealable	No
Compatible With Discrete Wire Type	Stranded
Wire Insulation Support Retention Type	Insulation Support

Configuration Features

Terminal Angle	180 °
----------------	-------

Contact Features

Ring & Spade Terminal Type	Ring Tongue
Barrel Type	Open
Terminal Orientation	Straight
Terminal Plating Material	Tin

Mechanical Attachment

Wire Insulation Support	With
-------------------------	------

Dimensions

Wire Size	13091 – 20815 CMA
Stud Diameter	5.3 mm[.209 in]



Tongue Thickness	1 mm[.04 in]
Overall Product Length	29.16 mm[1.148 in]
Barrel Inside Diameter	4.7 mm, 6.13 mm[.185 in][.241 in]
Accepts Wire Insulation Diameter (Max)	6.58 mm[.259 in]
Accepts Wire Insulation Diameter Range	4.6 – 6.6 mm[.181 – .259 in]

Usage Conditions

Insulation Option	Uninsulated
Operating Temperature Range	-40 – 105 °C[-40 – 221 °F]

Operation/Application

Compatible With Wire Base Material	Copper
Heavy Duty	No

Industry Standards

Government Qualified	No
----------------------	----

Packaging Features

Packaging Quantity	2500
Packaging Method	Strip/Reel

Product Compliance

[For compliance documentation, visit the product page on TE.com>](#)

EU RoHS Directive 2011/65/EU	Compliant
EU ELV Directive 2000/53/EC	Compliant
China RoHS 2 Directive MIIT Order No 32, 2016	No Restricted Materials Above Threshold
EU REACH Regulation (EC) No. 1907/2006	Current ECHA Candidate List: JUNE 2022 (224) Candidate List Declared Against: JUNE 2022 (224) Does not contain REACH SVHC
Halogen Content	Low Halogen - Br, Cl, F, I < 900 ppm per homogenous material. Also BFR/CFR/PVC Free
Solder Process Capability	Not applicable for solder process capability

Product Compliance Disclaimer

This information is provided based on reasonable inquiry of our suppliers and represents our current actual knowledge based on the information they provided. This information is subject to change. The part numbers that TE has identified as EU RoHS compliant have a maximum concentration of 0.1% by weight in homogenous materials for lead, hexavalent

chromium, mercury, PBB, PBDE, DBP, BBP, DEHP, DIBP, and 0.01% for cadmium, or qualify for an exemption to these limits as defined in the Annexes of Directive 2011/65/EU (RoHS2). Finished electrical and electronic equipment products will be CE marked as required by Directive 2011/65/EU. Components may not be CE marked. Additionally, the part numbers that TE has identified as EU ELV compliant have a maximum concentration of 0.1% by weight in homogenous materials for lead, hexavalent chromium, and mercury, and 0.01% for cadmium, or qualify for an exemption to these limits as defined in the Annexes of Directive 2000/53/EC (ELV). Regarding the REACH Regulation, the information TE provides on SVHC in articles for this part number is based on the latest European Chemicals Agency (ECHA) 'Guidance on requirements for substances in articles' posted at this URL: <https://echa.europa.eu/guidance-documents/guidance-on-reach>

Compatible Parts



TE Part # 881001-2
RING TONGUE 6.0-10.0 MM2 1.00X21.7 TPBR



TE Part # 626033-5
RING TONGUE



TE Part # 880629-2
RING TONGUE



TE Part # 880629-6
RING TONGUE




TE Part # 880665-2
RING TONGUE



TE Part # 881003-1
RING TONGUE 6.0-10.0 MM2 1.00 X 21.7 BR



TE Part # 881003-2
RING TONGUE 6.0-10.0 MM2 1.00X21.7 TPBR



TE Part # 881011-2
RING TONGUE



TE Part # 881016-1
RING TONGUE



TE Part # 881016-2
RING TONGUE 6.0-10.0 MM2 1.00X22.7 TPBR

Customers Also Bought



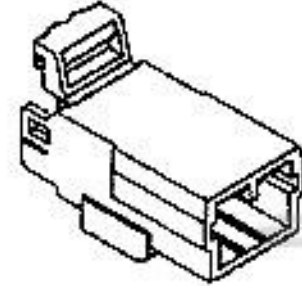
TE Part #776438-2
AS 16, 12P CAP ASSY, KEY, 2



TE Part #DT06-3S-PE01
PLG, 3P, BLK, SEAL RET, PROT CAP 120 OHM



TE Part #42899-2
RING TONGUE 10-6 AWG TPBR



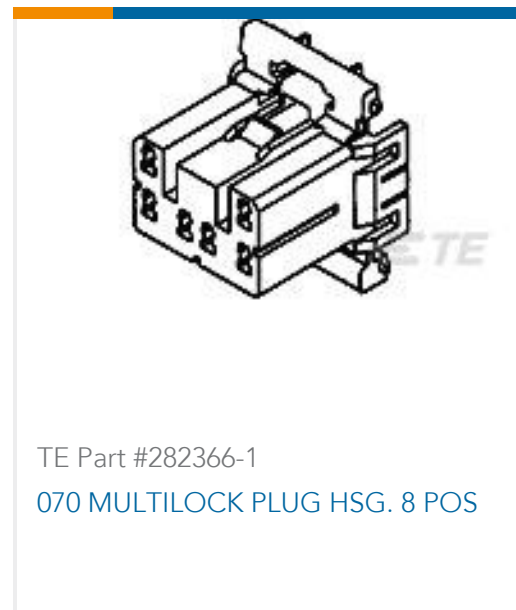
TE Part #174930-1
070 MLC W-W CAP HSG 6P SGL



TE Part #HD36-18-8SN
PLG, 8P, AL, N, 12, S



TE Part #HDP24-24-21PN-L017
REC, 21P, BLK, N, RNG, 12/16, P



TE Part #282366-1
070 MULTILOCK PLUG HSG. 8 POS



TE Part #282375-1
070 MULTILOCK RCPT CONT



TE Part #1028-011-0605
BKSHL, 6P, BLK, PLG, ST, NW 10/13

Documents

Product Drawings

RING TONGUE

English

CAD Files

3D PDF

3D

Customer View Model

[ENG_CVM_CVM_881015-2_C.2d_dxf.zip](#)

English

Customer View Model

[ENG_CVM_CVM_881015-2_C.3d_igs.zip](#)

English

Customer View Model

[ENG_CVM_CVM_881015-2_C.3d_stp.zip](#)

English

By downloading the CAD file I accept and agree to the [Terms and Conditions](#) of use.

Product Specifications

Product Specification

English

Product Specification

English

Product Specification

English