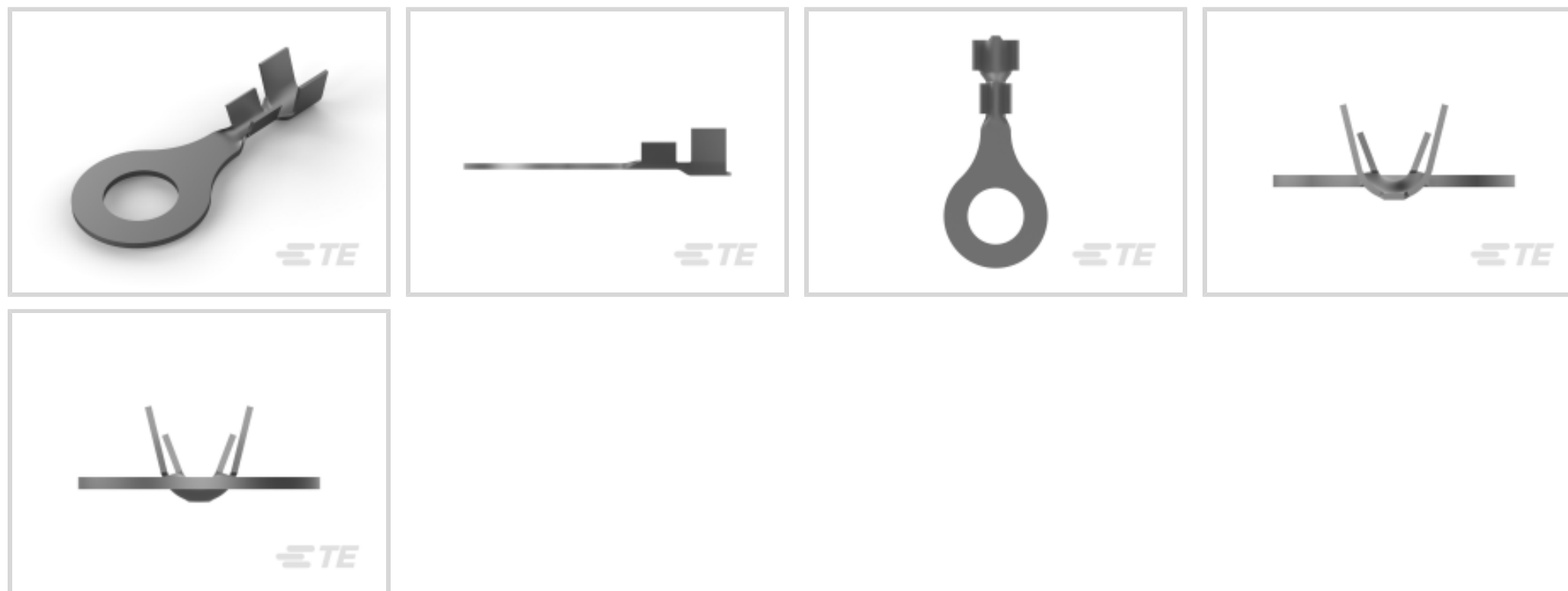




Terminals & Splices > Ring Terminals & Spade Terminals

Ring & Spade Terminal Type: **Ring Tongue**Wire Size: **1021 – 3256 CMA**Stud Size: **1/4**

Features

Product Type Features

Terminal Features	Sheared
Shape Description	RING-001
Stud Size	1/4
Sealable	No
Compatible With Discrete Wire Type	Stranded
Wire Insulation Support Retention Type	Insulation Support

Configuration Features

Number of Holes	1
Terminal Angle	180 °

Body Features

Inspection Slot	No
Weight per Piece	1.026 g

Contact Features

Ring & Spade Terminal Type	Ring Tongue
Barrel Type	Open
Terminal Orientation	Straight

Terminal Plating Material	Tin
---------------------------	-----

Mechanical Attachment

Wire Insulation Support	With
-------------------------	------

Dimensions

Wire Size	1021 – 3256 CMA
Stud Diameter	6.5 mm[.256 in]
Tongue Thickness	.6 mm[.023 in]
Overall Product Length	25.7 mm[1.01 in]
Barrel Inside Diameter	1.4 mm, 2.67 mm[.055 in][.105 in]
Accepts Wire Insulation Diameter (Max)	3.1 mm[.122 in]
Accepts Wire Insulation Diameter Range	1.78 – 3.05 mm[.075 – .122 in]

Usage Conditions

Insulation Option	Uninsulated
Operating Temperature Range	-40 – 105 °C[-40 – 221 °F]

Operation/Application

Compatible With Wire Base Material	Copper
Heavy Duty	No

Industry Standards

Government Qualified	No
----------------------	----

Packaging Features

Packaging Quantity	5000
Packaging Method	Strip/Reel

Other

Comment	Similar to DIN 46225.
---------	-----------------------

Product Compliance

[For compliance documentation, visit the product page on TE.com>](#)

EU RoHS Directive 2011/65/EU	Compliant
EU ELV Directive 2000/53/EC	Compliant
China RoHS 2 Directive MIIT Order No 32, 2016	No Restricted Materials Above Threshold
EU REACH Regulation (EC) No. 1907/2006	Current ECHA Candidate List: JUNE 2022 (224)

Candidate List Declared Against: JUNE 2022 (224)

Does not contain REACH SVHC

Halogen Content

Low Halogen - Br, Cl, F, I < 900 ppm per homogenous material. Also BFR/CFR/PVC Free

Solder Process Capability

Not reviewed for solder process capability

Product Compliance Disclaimer

This information is provided based on reasonable inquiry of our suppliers and represents our current actual knowledge based on the information they provided. This information is subject to change. The part numbers that TE has identified as EU RoHS compliant have a maximum concentration of 0.1% by weight in homogenous materials for lead, hexavalent chromium, mercury, PBB, PBDE, DBP, BBP, DEHP, DIBP, and 0.01% for cadmium, or qualify for an exemption to these limits as defined in the Annexes of Directive 2011/65/EU (RoHS2). Finished electrical and electronic equipment products will be CE marked as required by Directive 2011/65/EU. Components may not be CE marked. Additionally, the part numbers that TE has identified as EU ELV compliant have a maximum concentration of 0.1% by weight in homogenous materials for lead, hexavalent chromium, and mercury, and 0.01% for cadmium, or qualify for an exemption to these limits as defined in the Annexes of Directive 2000/53/EC (ELV). Regarding the REACH Regulation, the information TE provides on SVHC in articles for this part number is based on the latest European Chemicals Agency (ECHA) 'Guidance on requirements for substances in articles' posted at this URL: <https://echa.europa.eu/guidance-documents/guidance-on-reach>

Compatible Parts



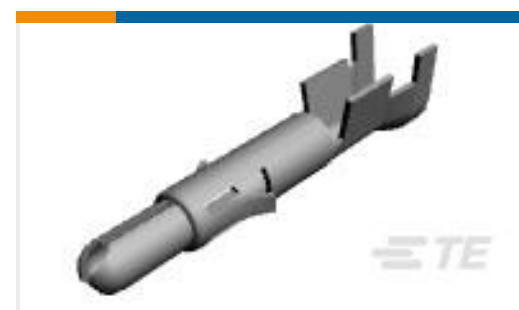
Customers Also Bought



TE Part #172063-1
08P DRAWER MALE HSG



TE Part #61314-6
CMNL SOK S/F 24-18 .0125AUPHBZ



TE Part #350687-7
UMNL SPLIT PIN AUNI/BR



TE Part #794188-1
04P MINI UMNL2 PLUG HSG UL94V0



TE Part #9-927742-2
2POS FASTIN FASTON HOUSING



TE Part #170361-3
MINI UNIVERSAL M-N-L SOCKET



TE Part #170140-2
187 FASTON, FLAG, REC., 16-20 AWG,
TPBR



TE Part #6-1423008-4
T92S7A2X-240-99

Documents

Product Drawings

RING TONGUE 0.5 /1.5 MM2 TPBR

English

CAD Files

3D PDF

3D

Customer View Model

[ENG_CVM_CVM_626030-2_D_c-626030-2-d.2d_dxf.zip](#)

English

Customer View Model

[ENG_CVM_CVM_626030-2_D_c-626030-2-d.3d_igs.zip](#)

English

Customer View Model

[ENG_CVM_CVM_626030-2_D_c-626030-2-d.3d_stp.zip](#)

English

By downloading the CAD file I accept and agree to the [Terms and Conditions](#) of use.

Product Specifications

Application Specification

English